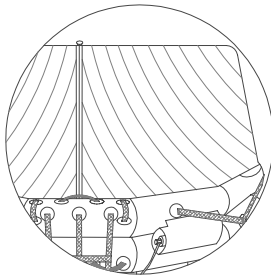




NOT TO SCALE

→  
Front View  
Closed Canopy



## STANDARD EQUIPMENT Includes:

- CO<sub>2</sub>/N<sub>2</sub> Inflation System w/ Twin Oversized Buoyancy Tubes
- Three (3) Position (Closed, Sail & Convertible) Heavy Duty, Dual Color Canopy w/ Cinch Strap
- Sure-Seal™ Closures w/ #10 YKK Heavy Duty Zippering
- Dual Main Zipper w/ Ventilation Tie Backs
- Canopy - HD Tripod Arch Tube
- I2DF™ Inflatable Insulated Double Floor
- Oversized Front Boarding Entry w/ 4 Rung Boarding Ladder
- Interior Assist Ladder w/ Quick-Release Fittings
- Three (3) Bowed Boarding Assist Handles
- Front Boarding Stirrups
- Combination Foul Weather Observation Port Hole & Water Collection System w/ Sure-Seal™ Closures
- Water Activated Interior/Exterior Survivor Locator Lights
- Quick-Grab™ Pelican® Magnum MityLite™ Flashlight On Arch
- Auto-Deploying Hemispherical Drogue (Sea-Anchor) w/ 100' Line & Dual Anti-Foul Swivels
- 100' Floating Heaving Trailing Line w/ Buoyant Throwing Handle
- 50' Painter Line w/ Quick-Release Fittings
- Heavy Duty EZGrip™ Righting Line w/ Contrasting Bowed Hand Grips
- Unidirectional Retro/Radar Reflective Segment Across Arch
- Unidirectional Retro Reflective Segments Under Life Raft & On Canopy
- Cape Horn Ballast System™
- 1" Exterior Lifelines & Interior Grasp Lines
- Pressure Relief Valves
- Topping-Up Valves
- Urethane Valise
- Ultima Wrap™ Vacuum Seal (3 yr. Protection)
- Basic Offshore Survival Equipment Package As Listed Below

WINSLOW Model #	Rated Capacity	Dimensions			Weight	Life Raft Investment
		H	x W	x L		
40SLO	4	10.5	x 16"	x 21"	41 lbs	\$4095.00
60SLO	6	10.5"	x 16"	x 22"	49 lbs	\$4455.00
80SLO	8	9.5"	x 17"	x 28"	57 lbs	\$4895.00
100SLO	10	12"	x 16"	x 32"	66 lbs	\$5250.00
120SLO	12	10"	x 19"	x 36"	77 lbs	\$5995.00

Weights Are Approximate

## Basic Offshore Survival Equipment Package Includes:

- ① Manual Inflation Pump – Spring Loaded Return w/ Adapter
- ① Repair Kit (Includes: Repair Clamp (5"), Repair Clamp (3") & 2 PRV Plugs w/ Tether)
- ① Collapsible Bailer Bucket w/ Handle
- ② Sponges
- ① Magnetic Compass
- ② Paddles w/ Retro Reflective Segments
- ① Signal Mirror (3"x5")
- ① USCG/SOLAS Whistle
- ① Flashlight (AA Batteries)
- ② Spare Alkaline Batteries & Spare Xenon Bulb Assembly for Magnum MityLite™
- ② USCG Aerial Meteor Flares
- ② USCG Hand Held Locator Flares
- ① Orange Smoke Signal
- ① Rescue Streamer™ Ribbon (6" x 25')
- ① Retaining Line (75')
- ① Sea Dye Marker
- Water Rations (16oz./Person)
- Food Ration Bars (1000 Cal./Person)
- Anti-Seasickness Tablets (6/Person)
- Sun Block (Minimum 30SPF)
- ① First Aid Kit
- ① Fishing Kit
- Nitrile Gloves (1 Pair/2 Person)
- ① Raft Knife
- ① Utility Knife (SS Locking Blade)
- ① Drinking Cup
- ① Water Storage Bag
- ① Survival Manual
- ① Magnifier



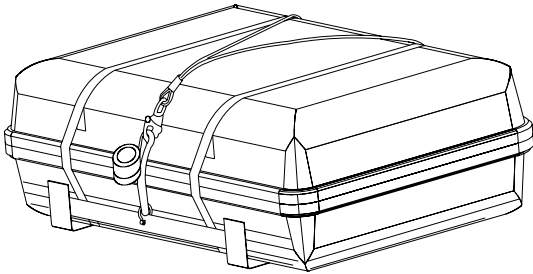
NOT TO SCALE

## Available Optional Equipment

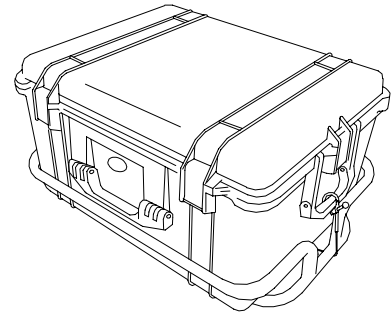
Fixed Life Raft Equipment		
	Canopy Mounted Strobe	\$158.00
	Lifelines/Graslines - Heavy Duty 2"- Upgrade	\$75.00
	StoreSafe™ Dry Survival Gear Stow Pockets (5)	\$140.00
	Boarding Platform	\$275.00
Stability Aids		
	Righting Ladder - w/ Contrasting Bowed Rungs -Upgrade	\$75.00
Life Raft Pack Options		
	Canister & Cradle Assembly, UV Inhibiting	\$598.00
	Canister & Railmount Assembly, UV Inhibiting	\$795.00
	Canister - Hydrostatic Release	\$180.00
	Valise - Additional Handles (Set of Two)	\$35.00
	Valise Custom Dimensional Packing	\$392.00
	WINSLOW® Pelican® Pac™ 4 or 6 Person Offshore (P/N 430)	\$310.00
	WINSLOW® Pelican® Pac™ SS Cradle (Coastal/Offshore)	\$298.00
Electronic Devices		
	406 EPIRB	\$749.00
	406 GPIRB	\$1149.00

Signaling Devices		
	Cyalume Stick (Red)	\$5.00
	Flare - Parachute USCG/SOLAS	\$54.00
	Flare - Red Hand Held Locator - USCG/SOLAS	\$16.00
	Flare Upgrade (USCG/SOLAS Hand Held Locator Flares)	\$27.00
	Rescue Streamer™ High Visibility Ribbon (11" x 40')	\$85.00
First Aid Equipment		
	First Aid Kit (USCG) - Upgrade	\$39.00
	Multi-Purpose Poly Bag (18" x 13" x 6 Mil)	\$1.00
Hypothermia Protection		
	Thermal Protection Aid - Reflective Blanket	\$19.00
	Fishing Kit (USCG) - Upgrade	\$29.00
	Watermaker – Reverse Osmosis	\$845.00
	Playing Cards (Waterproof)	\$3.00
	Inflate-A-Potty w/ 3 Inserts	\$45.00
Repair Equipment		
	Repair Clamp, Mil Spec - 3" (Additional)	\$18.00
	Repair Clamp, Mil Spec - 5"	\$24.00

WINSLOW® LifeRaft Company reserves the right to substitute comparable brands when necessary.



**Low Profile Traditional Marine Canister, UV Inhibiting**  
 With Cradle & Hydrostatic Release As Shown Above: 25" x 34" x 14 ½"  
 Without Cradle: 25" x 34" x 12 ½"  
 With Cradle: 25" x 34" x 14 ½"



**WINSLOW® Pelican® Pac™ 4 or 6 Person Offshore**  
 With Cradle As Shown Above: 25" x 20 ½" x 16 ¼"  
 Without Cradle: 25" x 20" x 14"



(800) 838-3012 ~ Fax (941) 613-6677  
**www.winslowliferaft.com ~ rafts@winslowliferaft.com**

IF THIS DOCUMENT HAS BEEN TRANSFERRED TO YOU ELECTRONICALLY, WINSLOW® RETAINS THE OFFICIAL RECORD. SUBSEQUENT ALTERATIONS WILL BE DISREGARDED. RATES SUBJECT TO CHANGE WITHOUT NOTICE.