

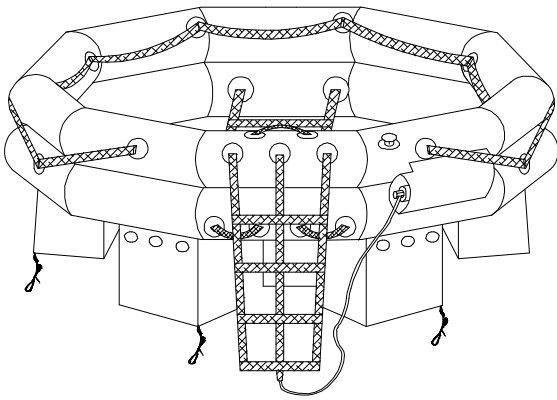
# Super-Light™ "MAC"

## Offshore Racing Council (ORC)

### Category 2 Modified, 3 & 4

#### STANDARD EQUIPMENT Includes:

- ? CO<sub>2</sub>/N<sub>2</sub> Inflation System w/ Twin Oversized Buoyancy Tubes
- ? 4 Rung Boarding Ladder
- ? Interior Assist Ladder w/ Quick-Release Fittings
- ? Bowed Boarding Assist Handle
- ? Front Boarding Assist Stirrups
- ? Water Activated Survivor Locator Light
- ? Auto-Deploying Conical-Drogue (Sea-Anchor) w/ 100' Line & Dual Anti-Foul Swivels
- ? 100' Floating Heaving Trailing Line w/ Buoyant Throwing Handle
- ? 50' Painter Line w/ Quick-Release Fittings
- ? Heavy Duty EZGrip™ Righting Line w/ Contrasting Bowed Hand Grips
- ? Unidirectional Radar/Retro Reflective Segment
- ? Unidirectional Retro Reflective Segments
- ? Pentagonal Ballast System™
- ? 1" Exterior Lifelines & Interior Grasp Lines
- ? Pressure Relief Valves
- ? Topping-Up Valves
- ? Urethane Valise
- ? "MAC Pac" (ORC Compliant) Survival Equipment Package as Listed below



NOT TO SCALE

WINSLOW Model #	Rated Capacity	Dimensions				Weight	
		H	x	W	x		L
40SLM	4	8"	x	14"	x	24"	25 lbs
60SLM	6	8.5"	x	14"	x	25"	33 lbs
80SLM	8	8.5"	x	15"	x	27"	38 lbs
100SLM	10	8.5"	x	15"	x	31"	44 lbs
120SLM	12	9"	x	15.5"	x	31"	49 lbs

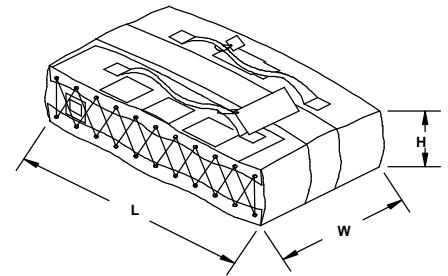
Weights Are Approximate

#### In Compliance with the U.S Sailing Association/Offshore Racing Category 2 Modified, 3 & 4

- ✍ Includes Certificate of Compliance per the Offshore Racing Council
- ✍ Includes stenciling the name of your yacht, the sail number, or both on the bottom of the life raft & valise

#### "MAC Pac" Survival Equipment Package Includes:

- ✍ Manual Inflation Pump – Spring Loaded Return w/ Adapter
- ✍ Repair Kit (Includes: Repair Tape, Repair Clamp (3") & 2 PRV Plugs w/ Tether)
- ✍ Collapsible Bailer Bucket w/ Handle
- ✍ Sponges
- ✍ Paddles w/ Retro Reflective Segments
- ✍ Extended Life Flashlight (Sealed Case)
- ✍ USCG/SOLAS Hand Held Locator Flares
- ? Anti-Seasickness Tablets (6/Person)
- ✍ Raft Knife
- ✍ Utility Knife (SS Lockback)
- ✍ Survival Manual



NOT TO SCALE

(800) 838-3012 ~ Fax (941) 613-6677

[www.winslowliferaft.com](http://www.winslowliferaft.com) ~ [rafts@winslowliferaft.com](mailto:rafts@winslowliferaft.com)

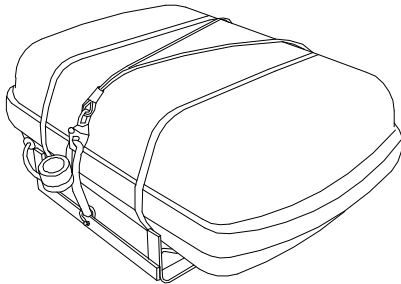
IF THIS DOCUMENT HAS BEEN TRANSFERRED TO YOU ELECTRONICALLY, WINSLOW® RETAINS THE OFFICIAL RECORD. SUBSEQUENT ALTERATIONS WILL BE DISREGARDED. RATES SUBJECT TO CHANGE WITHOUT NOTICE.

# Available Optional Equipment

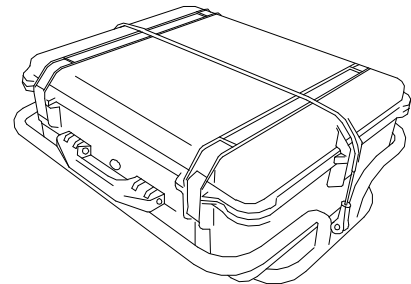
Fixed Life Raft Equipment	
	StoreSafe™ Dry Survival Gear Stow Pockets (5)
	Boarding Platform
Life Raft Pack Options	
	Canister & Cradle Assembly, UV Inhibiting
	Canister & Railmount Assembly, UV Inhibiting
	Canister - Hydrostatic Release
	Valise - Additional Handles (Set of Two)
	Valise Custom Dimensional Packing
	WINSLOW® Pelican® Pac™ 4, 6 or 8 Person (P/N 400)
	WINSLOW® Pelican® Pac™ 10 or 12 Person (P/N 430)
	Pelican Pac™ SS Cradle
	Ultima Wrap™ Vacuum Seal (3 yr. Protection)
Electronic Devices	
	406 EPIRB
	406 GPIRB
Repair Equipment	
	Repair Clamp, Mil Spec - 3" (Additional)
	Repair Clamp, Mil Spec - 5"

Signaling Devices	
	Cyalume Stick (Red)
	Flare - Parachute USCG/SOLAS
	Flare - Red Hand Held Locator - USCG/SOLAS
	Rescue Streamer™ High Visibility Ribbon (11" x 40')
First Aid Equipment	
	First Aid Kit (USCG)
	Multi-Purpose Poly Bag (18" x 13" x 6 Mil)
	Sun Block (Minimum 30 SPF)
Hypothermia Protection	
	Thermal Protection Aid - Reflective Blanket
	I2DF™ Inflatable Insulated Double Floor – 4 person
	I2DF™ Inflatable Insulated Double Floor – 6 person
	I2DF™ Inflatable Insulated Double Floor – 8 person
	I2DF™ Inflatable Insulated Double Floor – 10 person
	I2DF™ Inflatable Insulated Double Floor – 12 person
Miscellaneous Survival Supplies	
	Fishing Kit (USCG)
	Water Storage Bag (2 gallon)
	Watermaker – Reverse Osmosis
	Playing Cards (Waterproof)
	Inflate-A-Potty w/ 3 Spare Inserts

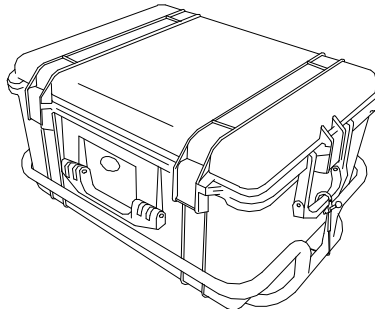
WINSLOW® LifeRaft Company reserves the right to substitute comparable brands when necessary.



**USCG SPEC Low Profile Traditional Marine Canister, UV Inhibiting**  
 With Cradle & Hydrostatic Release As Shown Above: 25" x 34" x 14 1/2" (P/N 520)  
 Without Cradle: 25" x 34" x 12 1/2" (P/N 510)  
 With Cradle: 25" x 34" x 14 1/2" (P/N 500)



**WINSLOW® Pelican® Pac™ 4, 6 or 8 Person**  
 With Cradle As Shown Above: 25 1/2" x 22" x 10 1/2" (P/N 410)  
 Without Cradle: 23 1/4" x 19 3/4" x 9" (P/N 400)



**WINSLOW® Pelican® Pac™ 10 or 12 Person**  
 With Cradle As Shown Above: 25" x 20 1/2" x 16 1/4" (P/N 440)  
 Without Cradle: 25" x 20" x 14" (P/N 430)



(800) 838-3012 ~ Fax (941) 613-6677  
[www.winslowliferaft.com](http://www.winslowliferaft.com) ~ [rafts@winslowliferaft.com](mailto:rafts@winslowliferaft.com)