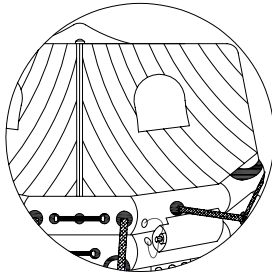




NOT TO SCALE

→
Front View
Closed
Canopy
w/ Fixed
View Ports



STANDARD EQUIPMENT Includes:

- CO₂/N₂ Inflation System w/ Twin Oversized Buoyancy Tubes
- Three (3) Position (Closed, Sail & Convertible) Heavy Duty, Dual Color Canopy w/ Cinch Strap
- Sure-Seal™ Closures w/ #10 YKK Heavy Duty Zippering
- Dual Main Zipper w/ Ventilation Tie Backs
- Tripod Arch, Auto Inflatable, Canopy Support w/ Stay Erect Arch Support Valve System
- Boarding Platform
- Interior Assist Ladder w/ Quick-Release Fittings
- Two (2) Front Viewing Ports - Fixed
- Rear Boarding Door & 3 Rung Boarding Ladder & Stirrups (10 Person and Larger)
- Boarding Assist Handles
- Foul Weather Observation Port Hole w/ Sure-Seal™ Closures
- Water Collection System w/ Sure-Seal™ Closures
- I2DF™ Inflatable Insulated Double Floor
- Water Activated Interior Light
- Automatically Activated Exterior Survivor Locator Light
- Quick-Grab™ Pelican® Magnum MityLite™ Flashlight On Arch
- Auto-Deploying ISO 17339 Drogue (Sea-Anchor) w/ 30m Line & Dual Anti-Foul Swivels
- 100' Floating Heaving Trailing Line w/ Buoyant Throwing Handle in Throwing Sock
- 9 Meter Painter Line w/ Colored Indicator at 1 Meter from Firing Point
- Righting Line w/ Contrasting Bowed Handles
- Unidirectional Retro/Radar Reflective Segment Across Arch
- Unidirectional Retro Reflective Segments Under Life Raft & On Canopy
- 220 Liter Ballast System
- 1" Exterior Lifelines & Interior Grasp Lines
- Pressure Relief Valves
- Topping-Up Valves
- Urethane Valise
- Standard ISO Survival Equipment Package As Listed Below

WINSLOW Model #	CAP	Dimensions H x W x L	Weight <24Hr Kit	Investment
40ISOGR	4	9 X 18 X 32	60 lbs	\$5,175.00
60ISOGR	6	10 X 18 X 32	74 lbs	\$5,375.00
80ISOGR	8	10 X 18 X 34	88 lbs	\$5,575.00
100ISOGR	10	10.5 X 18 X 34	95 lbs	\$5,975.00
120ISOGR	12	10.5 X 18 X 36	111 lbs	\$6,295.00

Weights & Dimensions Are Approximate
>24 Hr Kit Weighs More

Standard Survival Equipment Package Includes:

- ① Manual Inflation Pump – Spring Loaded Return w/ Adapter
- ① Repair Kit (Includes: Tube Plug Kit, 3" & 5" Repair Clamps, & 2 PRV Plugs w/ Tether)
- ① Collapsible Bailer Bucket w/ Handle
- ② Sponges
- ① Magnetic Compass
- ② Paddles w/ Retro Reflective Segments
- ① Signal Mirror (2" x 3")
- ① USCG/SOLAS Whistle
- ① Pelican 1900 Flashlight (Sealed Case)
- ③ Spare Alkaline Batteries
- ② SOLAS Parachute Flares
- ③ SOLAS Hand Held Locator Flares
- ① Tektite® Trek 2™ (3-AA) LED Flashlight
- ① Magnifier
- Anti-Seasickness Tablets (6/Person)
- ① Floating Raft Knife
- ① Survival Manual



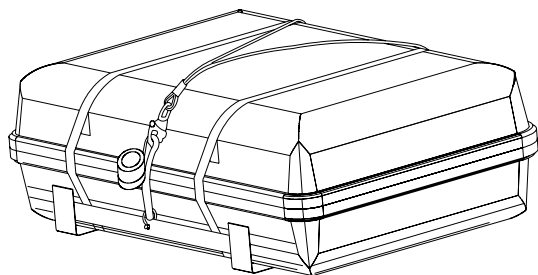
NOT TO SCALE

Available Optional Equipment

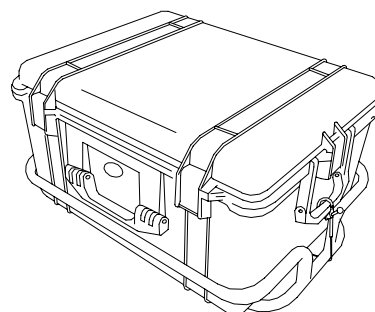
Life Raft Pack Options	
Canister & Cradle Assembly, UV Inhibiting	\$598.00
Canister & Railmount Assembly, UV Inhibiting	\$795.00
Canister - Hydrostatic Release	\$180.00
Valise - Additional Handles (Set of Two)	\$35.00
Valise Custom Dimensional Packing	\$292.00
WINSLOW® Pelican® Pac™ Mini or Maxi 4 Person Only Offshore (P/N 430)	\$320.00
WINSLOW® Pelican® Pac™ SS Cradle (Coastal/Offshore)	\$230.00
Ultima Wrap™ Vacuum Seal (3 yr. Protection)	\$265.00
Electronic Devices	
406 EPIRB	\$749.00
406 GPIRB - Upgrade	\$1,149.00
Repair Equipment	
Repair Clamp, Mil Spec - 5" (Additional)	\$24.00

Signaling Devices	
Cyalume Stick (Red)	\$5.00
Flare - Parachute USCG/SOLAS	\$54.00
Flare - Red Hand Held Locator - USCG/SOLAS	\$18.00
Flare Upgrade (USCG/SOLAS Hand Held Locator Flares)	\$27.00
Rescue Streamer™ High Visibility Ribbon (11" x 40')	\$85.00
First Aid Equipment	
First Aid Kit (USCG) - Upgrade	\$39.00
Multi-Purpose Poly Bag (18" x 13" x 6 Mil)	\$1.00
Hypothermia Protection	
Thermal Protection Aid - Reflective Blanket (Additional)	\$19.00
Miscellaneous Survival Supplies	
Playing Cards (Waterproof)	\$3.00
Inflate-A-Potty w/ 3 Spare Inserts	\$45.00

WINSLOW® LifeRaft Company reserves the right to substitute comparable brands when necessary.



Low Profile Traditional Marine Canister, UV Inhibiting
 With Cradle & Hydrostatic Release As Shown Above: 25" x 34" x 12 ½"
 Without Cradle: 25" x 34" x 12"
 With Cradle: 25" x 34" x 12 ½"



WINSLOW® Pelican® Pac™ 4 Person Only
 With Cradle As Shown Above: 25" x 20 ½" x 16 ¼"
 Without Cradle: 25" x 20" x 14"



(800) 838-3012 ~ Fax (941) 613-6677
www.winslowliferaft.com ~ rafts@winslowliferaft.com

IF THIS DOCUMENT HAS BEEN TRANSFERRED TO YOU ELECTRONICALLY, WINSLOW® RETAINS THE OFFICIAL RECORD. SUBSEQUENT ALTERATIONS WILL BE DISREGARDED. RATES SUBJECT TO CHANGE WITHOUT NOTICE.