



TABLE OF CONTENTS	Page
--------------------------	-------------

Crown Moulding Patterns	1001
--------------------------------	-------------

Casing and Base Patterns	2001
---------------------------------	-------------

Fluted Subcategory	2059
---------------------------	-------------

Rail Moulding Patterns	
-------------------------------	--

Bar Rails	3001
------------------	-------------

Chair Rails	3005
--------------------	-------------

Hand Rails	3019
-------------------	-------------

Panel Moulding Patterns	
--------------------------------	--

Base Caps	4001
------------------	-------------

Panel Mouldings	4019
------------------------	-------------

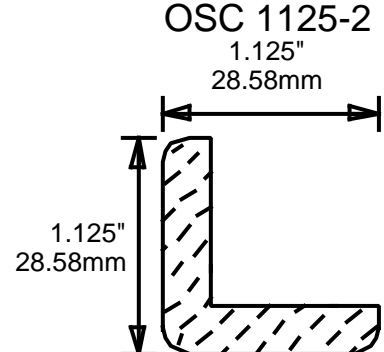
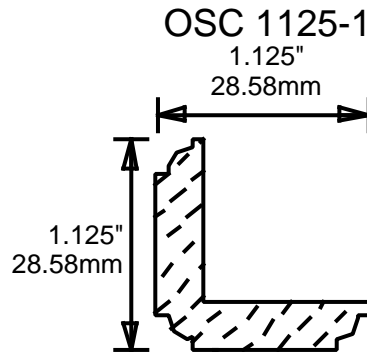
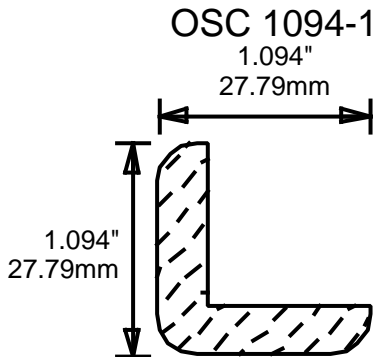
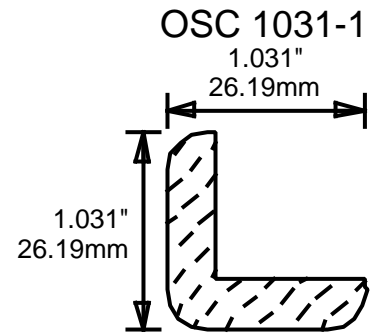
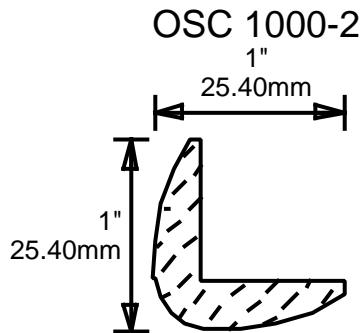
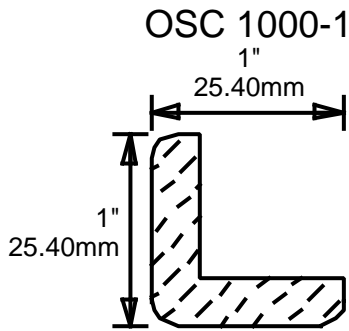
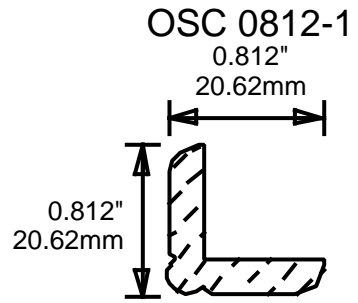
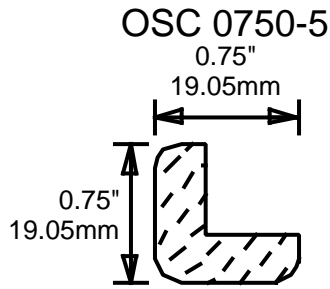
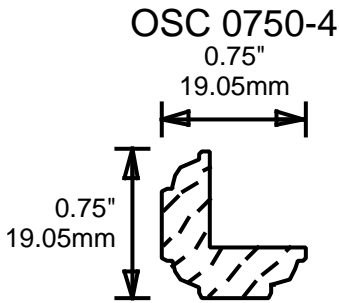
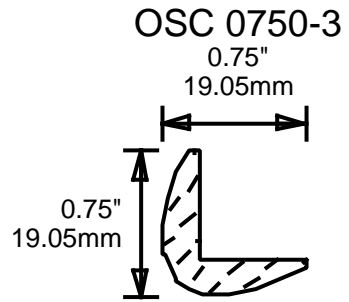
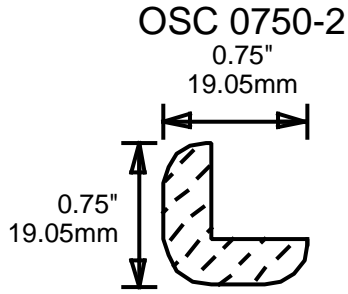
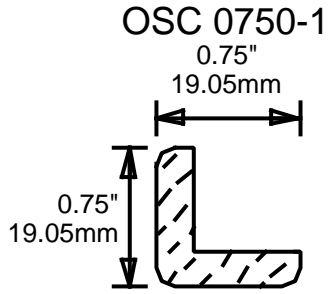
Picture Mouldings	4021
--------------------------	-------------

Tongue-and-Groove Patterns	5001
-----------------------------------	-------------

Shiplap Subcategory	5017
----------------------------	-------------

Other Patterns Available	6001
---------------------------------	-------------

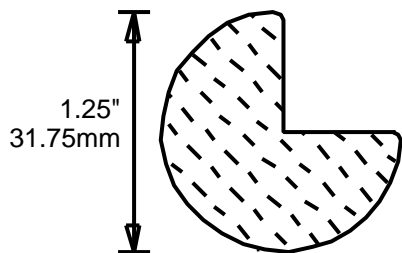
MOLDING PROFILE GUIDE



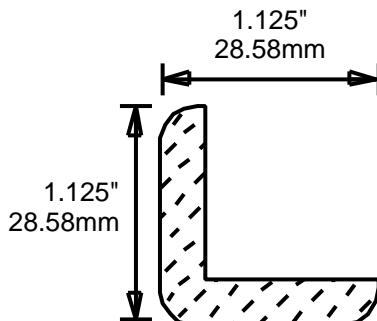
CONTACT US FOR ORDERING INFO
SPECIAL ORDER PROFILES ALLOW UP TO 4 WEEKS

MOLDING PROFILE GUIDE

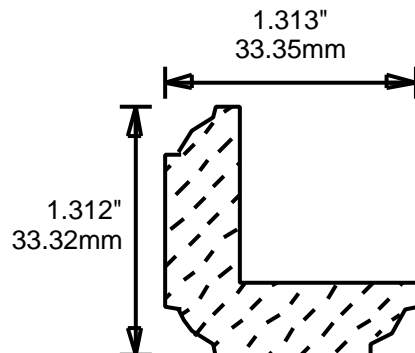
OSC 1250-1



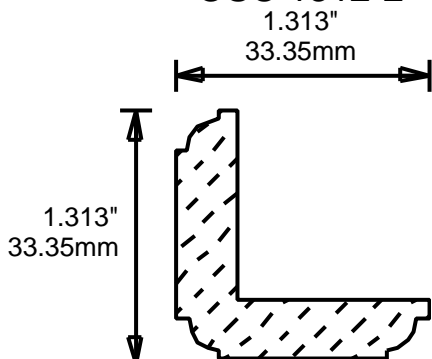
OSC 1250-2



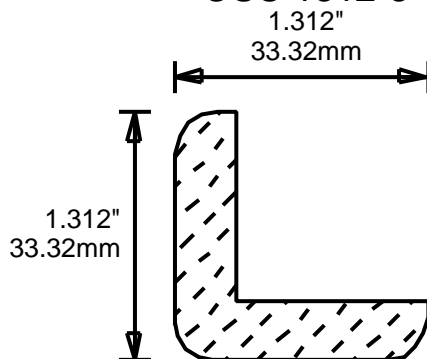
OSC 1312-1



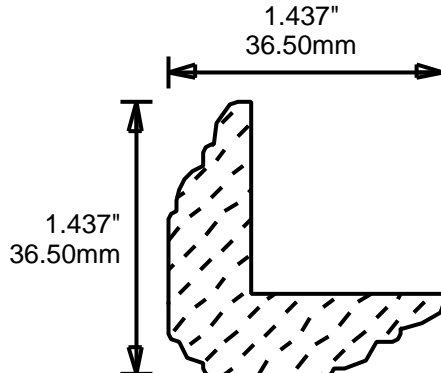
OSC 1312-2



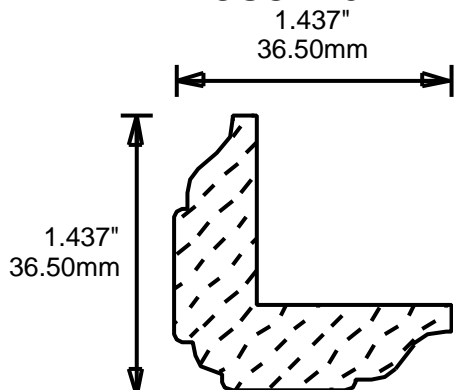
OSC 1312-3



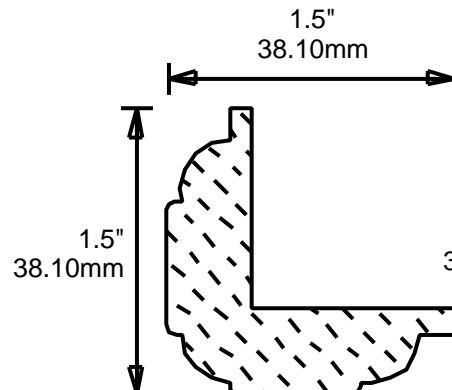
OSC 1437-1



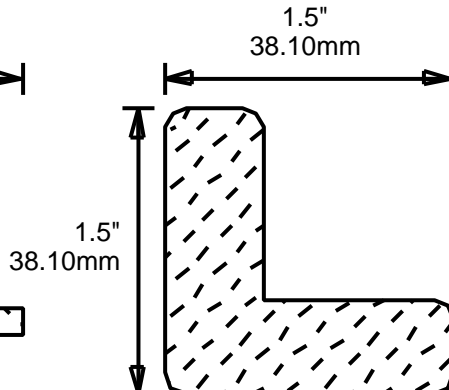
OSC 1437-2



OSC 1500-1



OSC 1500-2

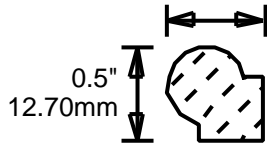


CONTACT US FOR ORDERING INFO
SPECIAL ORDER PROFILES ALLOW UP TO 4 WEEKS

MOLDING PROFILE GUIDE

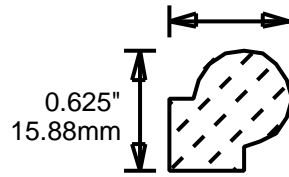
KEN 5001

0.5"
12.70mm



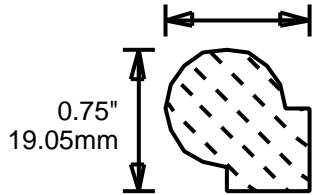
KEN 6251

0.625"
15.88mm



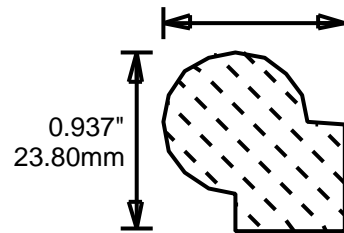
KEN 7501

0.75"
19.05mm



KEN 9371

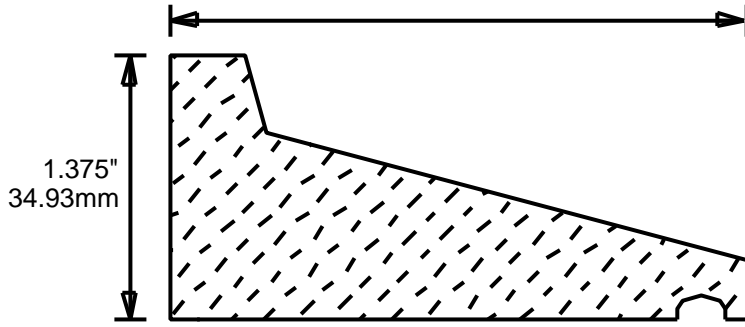
0.937"
23.80mm



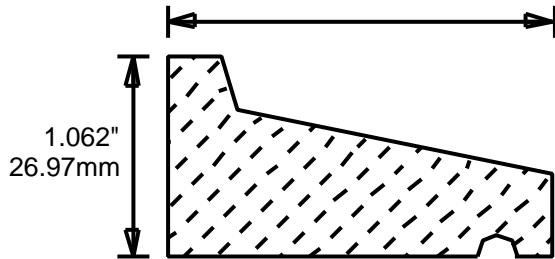
CONTACT US FOR ORDERING INFO
SPECIAL ORDER PROFILES ALLOW UP TO 4 WEEKS

MOLDING PROFILE GUIDE

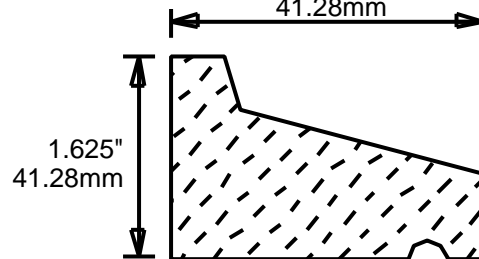
WR1
3"
76.20mm



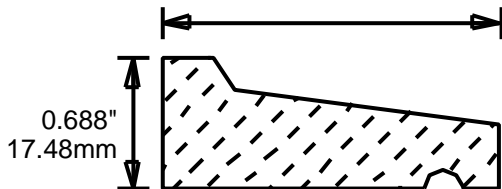
WR2
2"
50.80mm



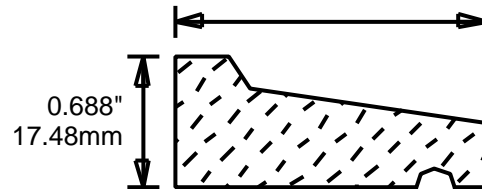
WR3
1.625"
41.28mm



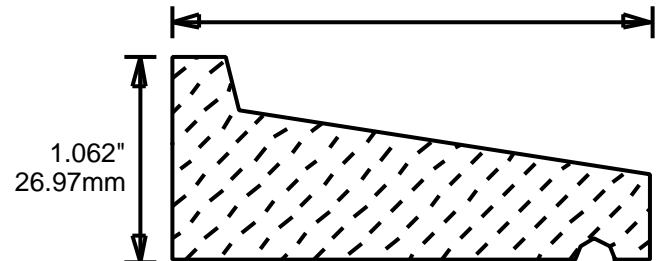
WR4
1.75"
44.45mm



WR5
1.625"
41.28mm

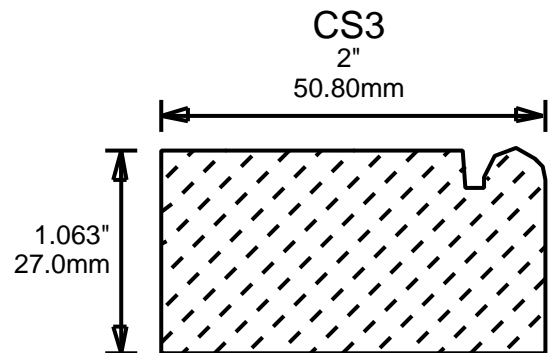
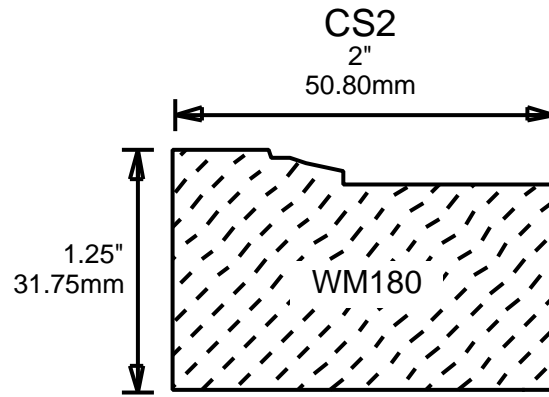
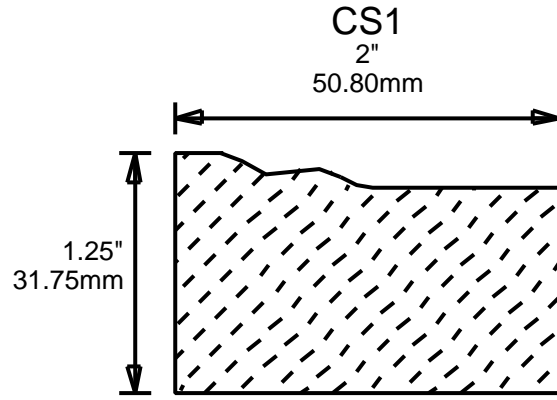


WR6
2.5"
63.50mm



CONTACT US FOR ORDERING INFO
SPECIAL ORDER PROFILES ALLOW UP TO 4 WEEKS

MOLDING PROFILE GUIDE

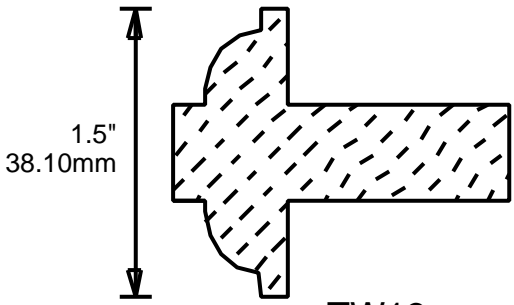


CONTACT US FOR ORDERING INFO
SPECIAL ORDER PROFILES ALLOW UP TO 4 WEEKS

MOLDING PROFILE GUIDE

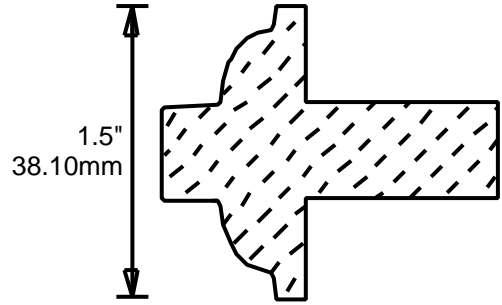
TW10

1.75"
44.45mm



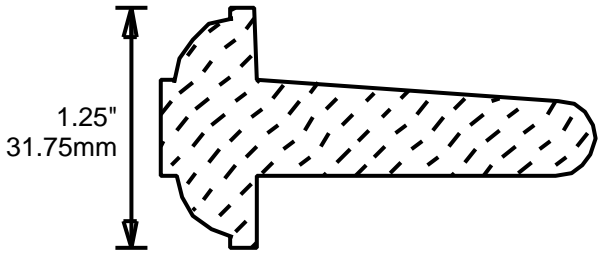
TW11

1.75"
44.45mm



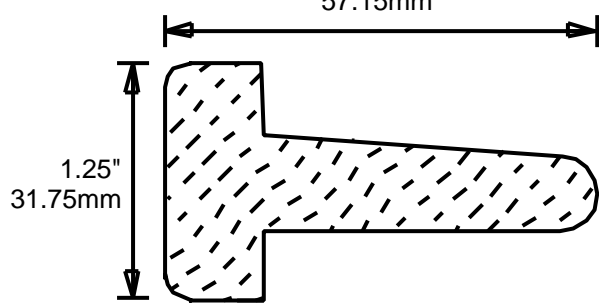
TW13

2.25"
57.15mm



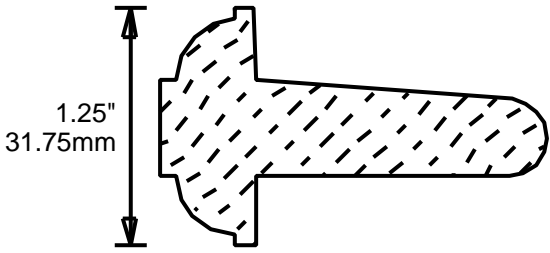
TW14

2.25"
57.15mm



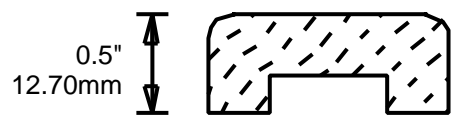
TW15

2"
50.80mm



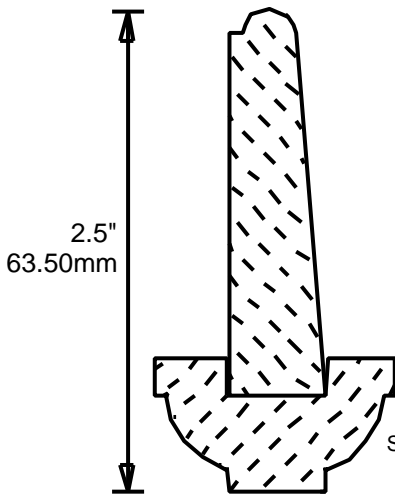
TW20

1.25"
31.75mm

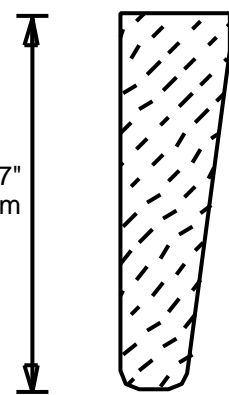


TW21

1.25"
31.75mm

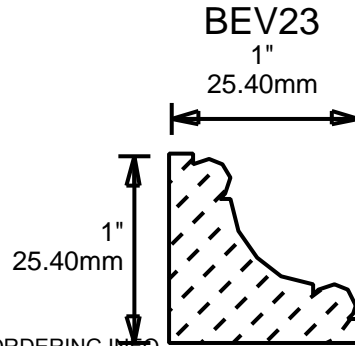
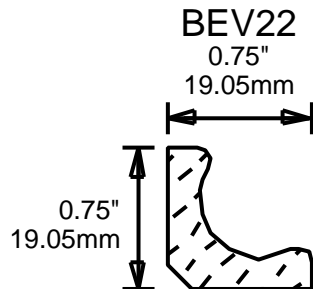
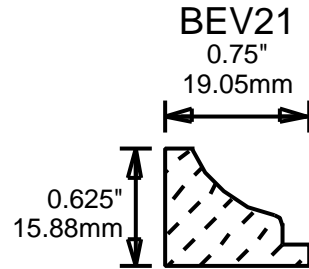
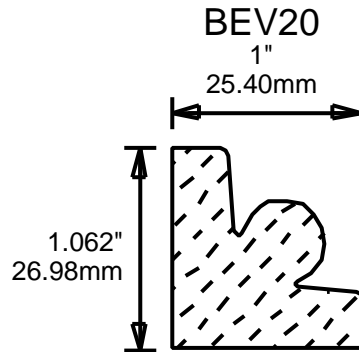
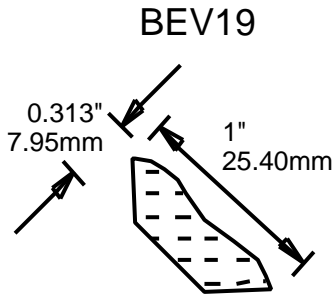
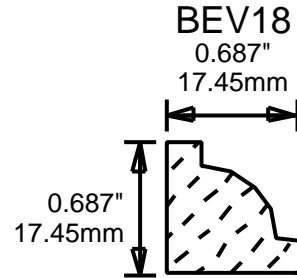
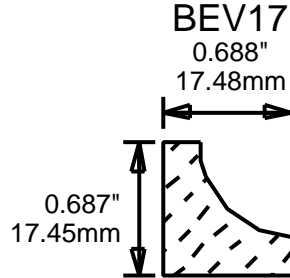
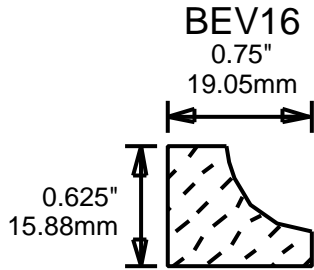
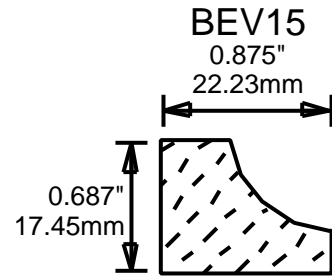
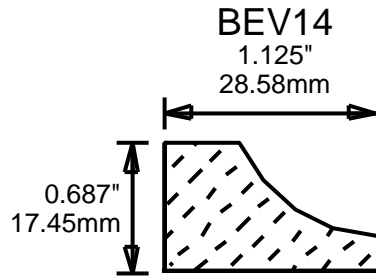
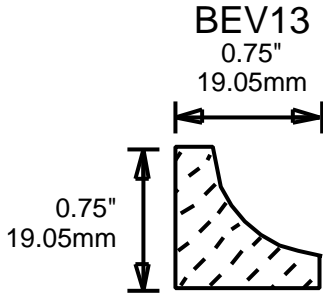
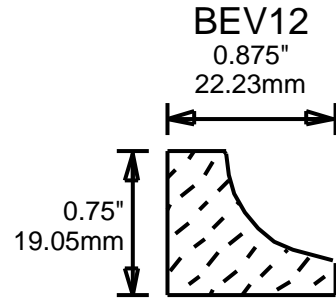
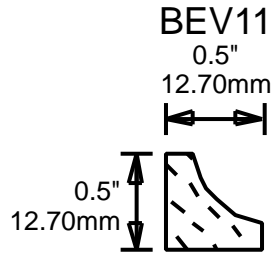
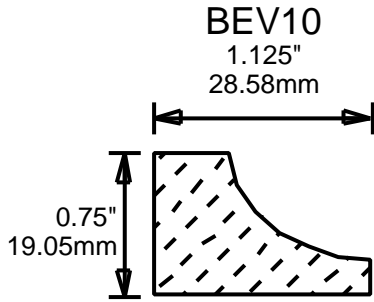


1.937"
49.20mm



CONTACT US FOR ORDERING INFO
SPECIAL ORDER PROFILES ALLOW UP TO 4 WEEKS

MOLDING PROFILE GUIDE

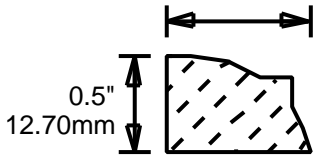


CONTACT US FOR ORDERING INFO
SPECIAL ORDER PROFILES ALLOW UP TO 4 WEEKS

MOLDING PROFILE GUIDE

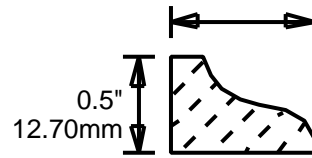
BUT10

0.75"
19.05mm



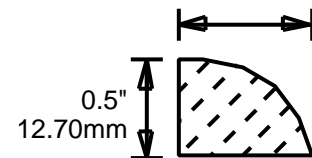
BUT11

0.75"
19.05mm



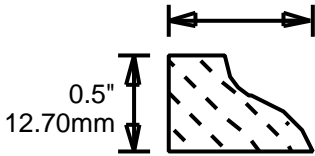
BUT12

0.687"
17.45mm



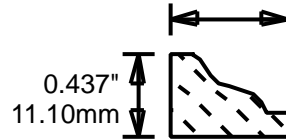
BUT13

0.75"
19.05mm



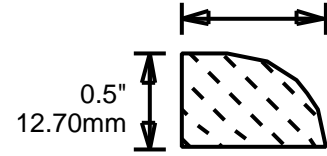
BUT14

0.625"
15.88mm



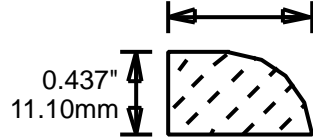
BUT16

0.75"
19.05mm



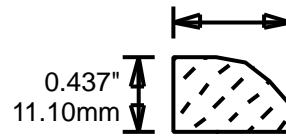
BUT17

0.75"
19.05mm



BUT19

0.625"
15.88mm



CONTACT US FOR ORDERING INFO
SPECIAL ORDER PROFILES ALLOW UP TO 4 WEEKS

MOLDING PROFILE GUIDE

MOM3751

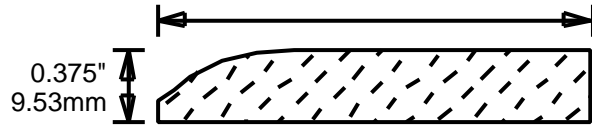


MOM3752



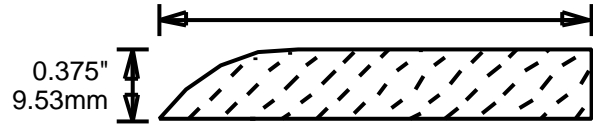
MOM3753

2.25"
57.15mm



MOM3755

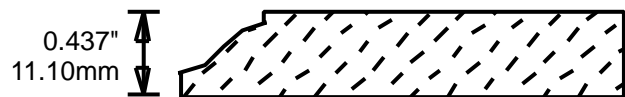
2.25"
57.15mm



MOM4371



MOM4372

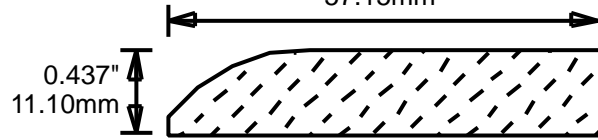


MOM4373



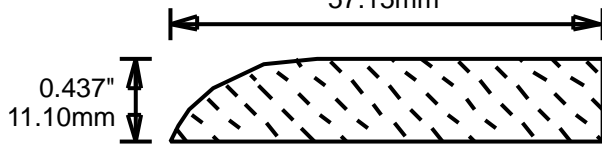
MOM4374

2.25"
57.15mm



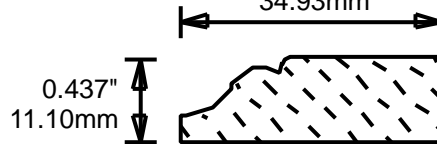
MOM4375

2.25"
57.15mm



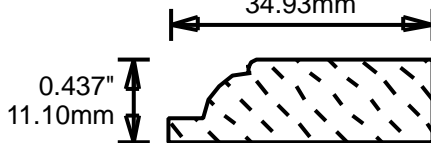
MOM4376

1.375"
34.93mm



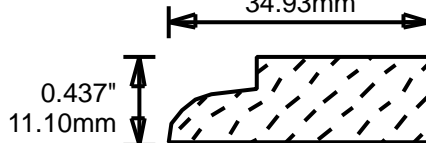
MOM4377

1.375"
34.93mm



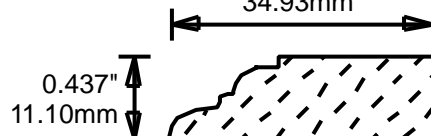
MOM4378

1.375"
34.93mm



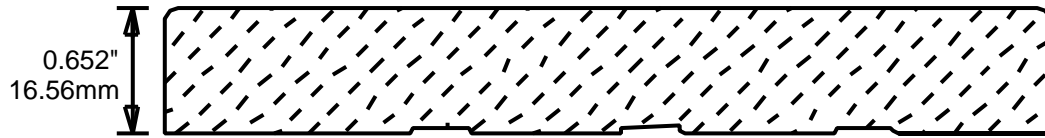
MOM4379

1.375"
34.93mm

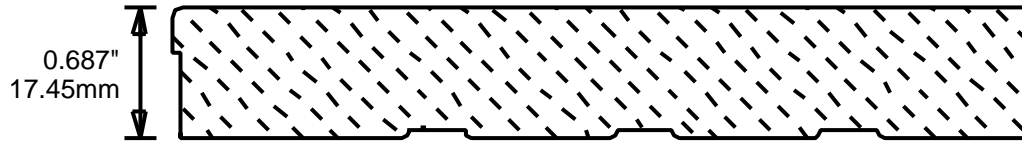


CONTACT US FOR ORDERING INFO
SPECIAL ORDER PROFILES ALLOW UP TO 4 WEEKS

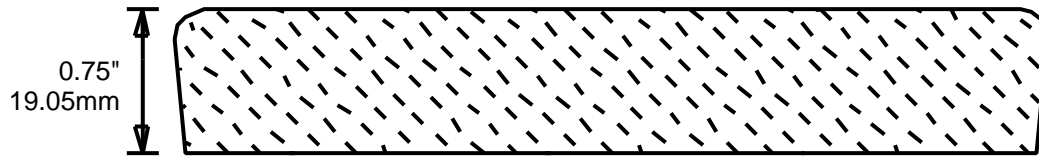
JC10



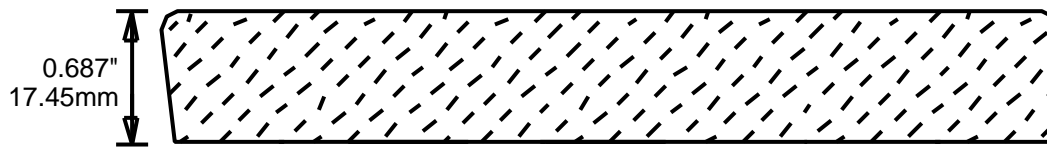
JC11



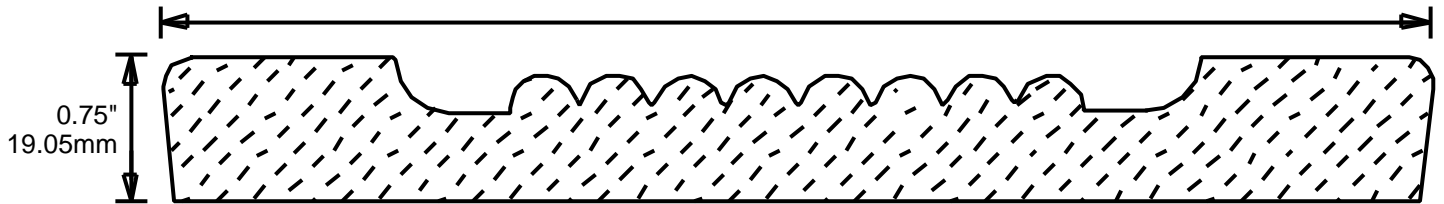
JC12



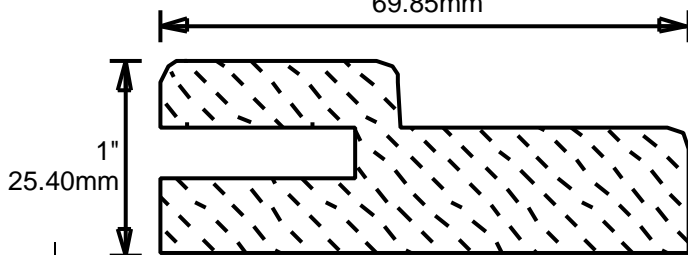
JC13



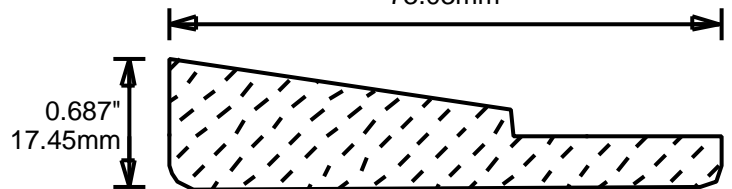
JC15
6.625"
168.28mm



JC20F
2.75"
69.85mm



JC20M
2.875"
73.03mm



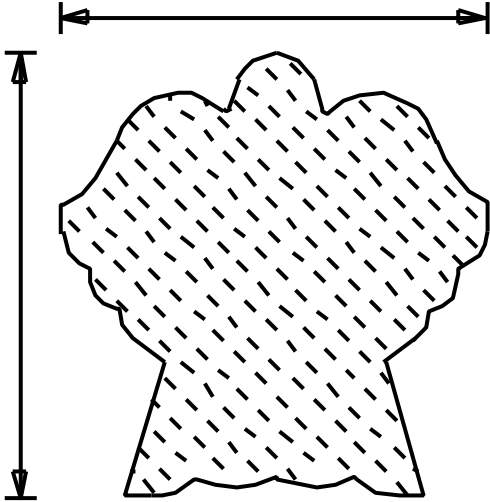
CONTACT US FOR ORDERING INFO
SPECIAL ORDER PROFILES ALLOW UP TO 4 WEEKS

MOLDING PROFILE GUIDE

ANGEL 1

2.219"
56.36mm

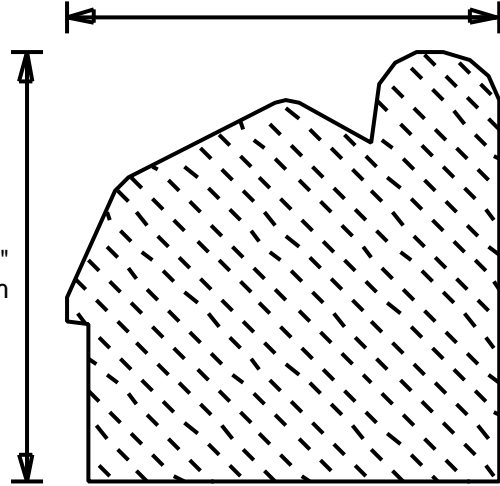
2.313"
58.75mm



BARN 1

2.25"
57.15mm

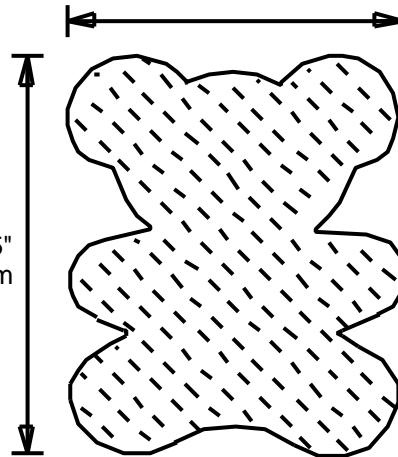
2.25"
57.15mm



BEAR 1

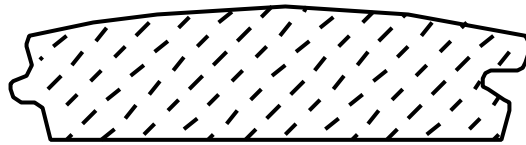
1.75"
44.45mm

2.125"
53.98mm



CONTACT US FOR ORDERING INFO
SPECIAL ORDER PROFILES ALLOW UP TO 4 WEEKS

10 3/8" Diameter



BUCKET 1

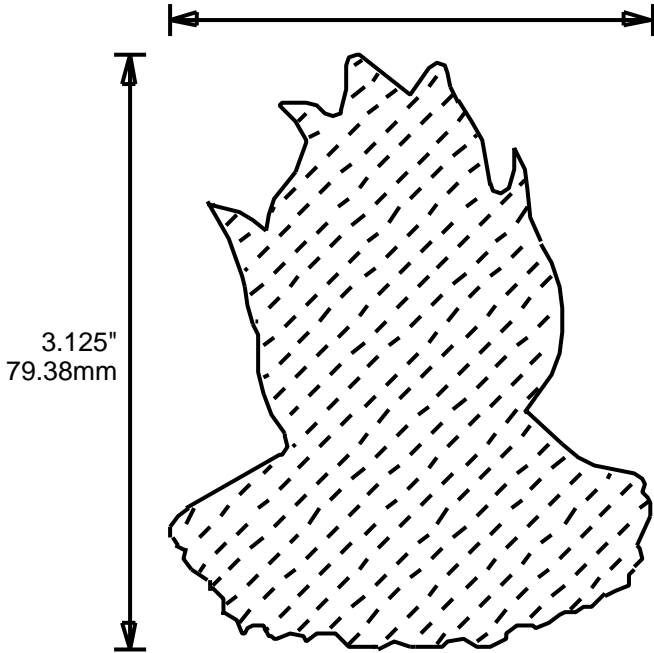
Available in Various Sizes

CONTACT US FOR ORDERING INFO
SPECIAL ORDER PROFILES ALLOW UP TO 4 WEEKS

MOLDING PROFILE GUIDE

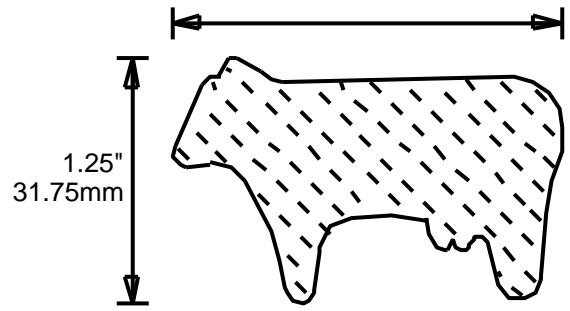
CAMPFIRE 1

2.5"
158.75mm

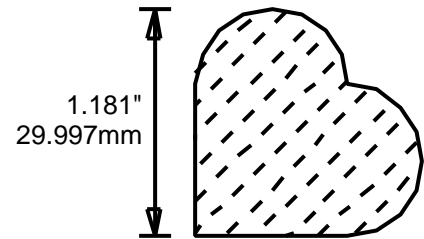


COW 1

2.031"
51.59mm

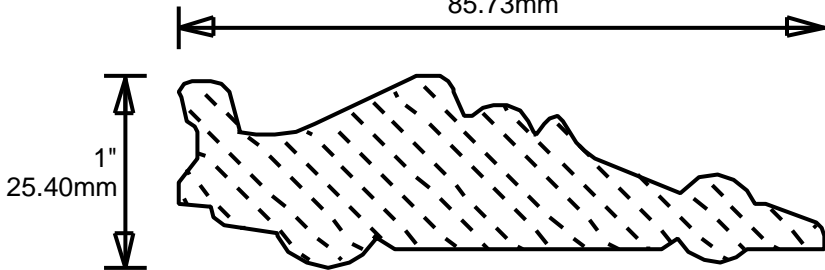


HEART 2



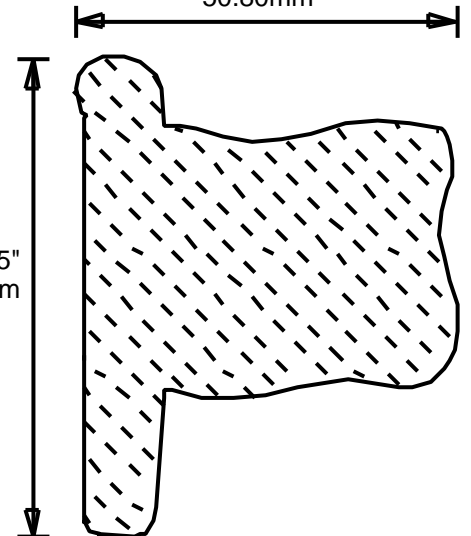
FERRARI 1

3.375"
85.73mm



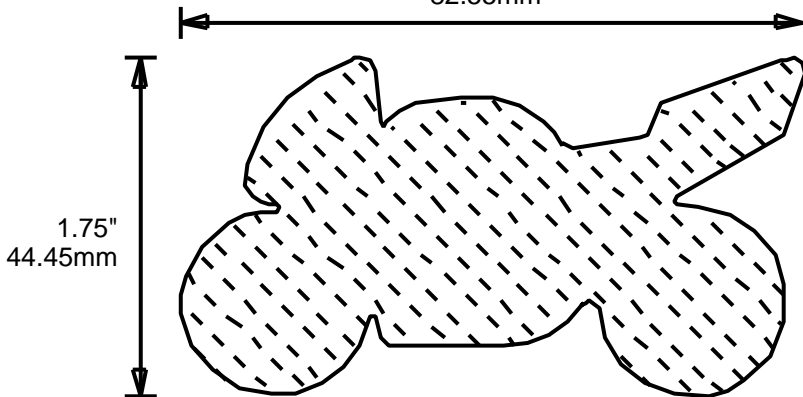
FLAG 1

2.0"
50.80mm



CYCLE 2

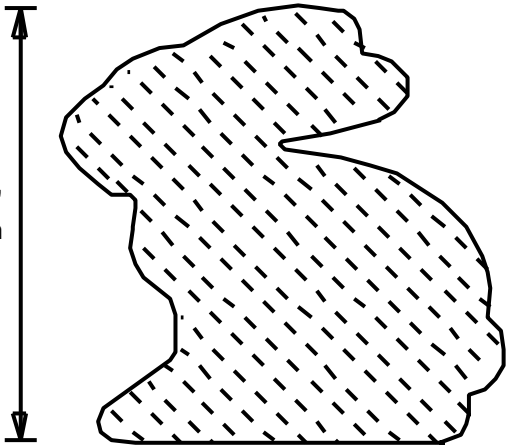
3.25"
82.55mm



CONTACT US FOR ORDERING INFO
SPECIAL ORDER PROFILES ALLOW UP TO 4 WEEKS

RABBIT 1 MOLDING PROFILE GUIDE

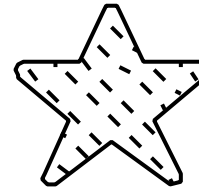
2.312"
58.72mm



2.5"
63.50mm

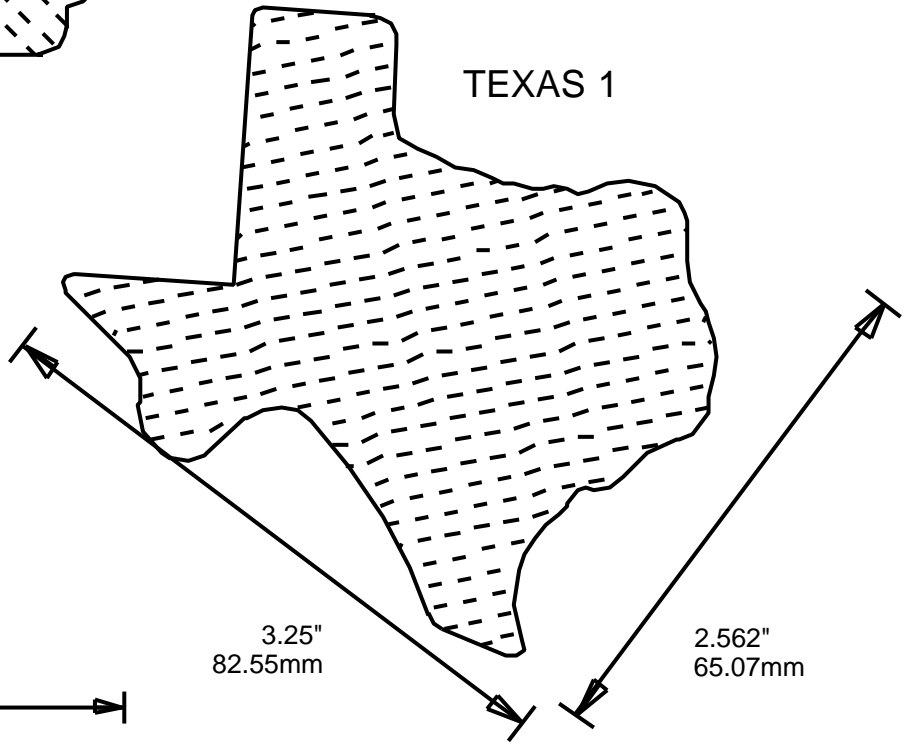
STAR 1

1"
25.40mm



0.937"
23.80mm

TEXAS 1

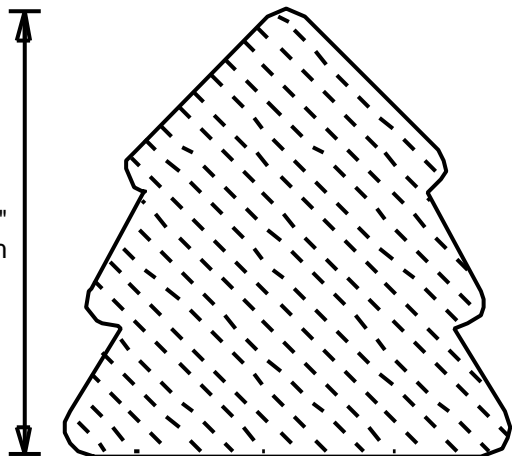


3.25"
82.55mm

2.562"
65.07mm

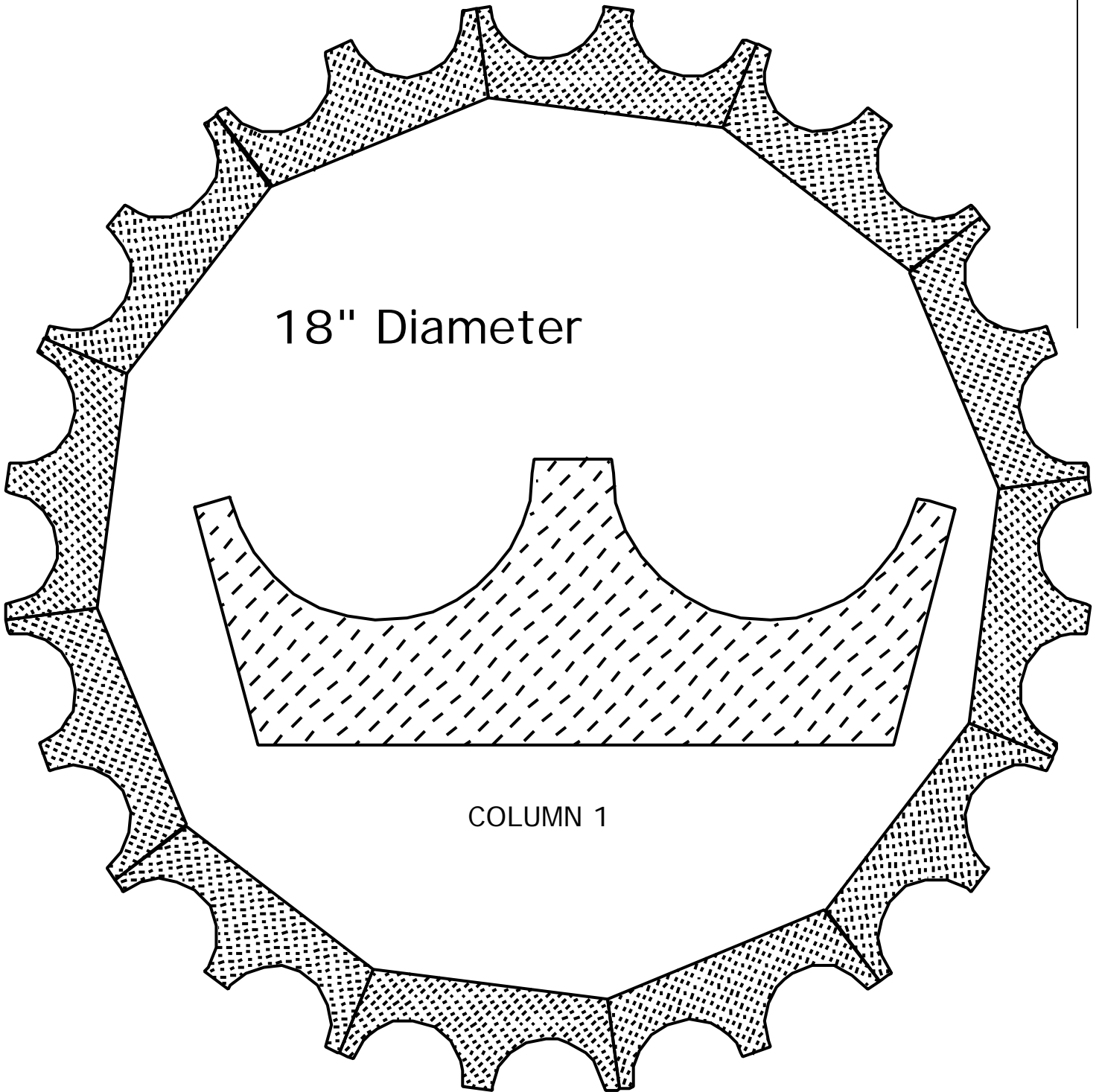
TREE 1

2.313"
58.75mm



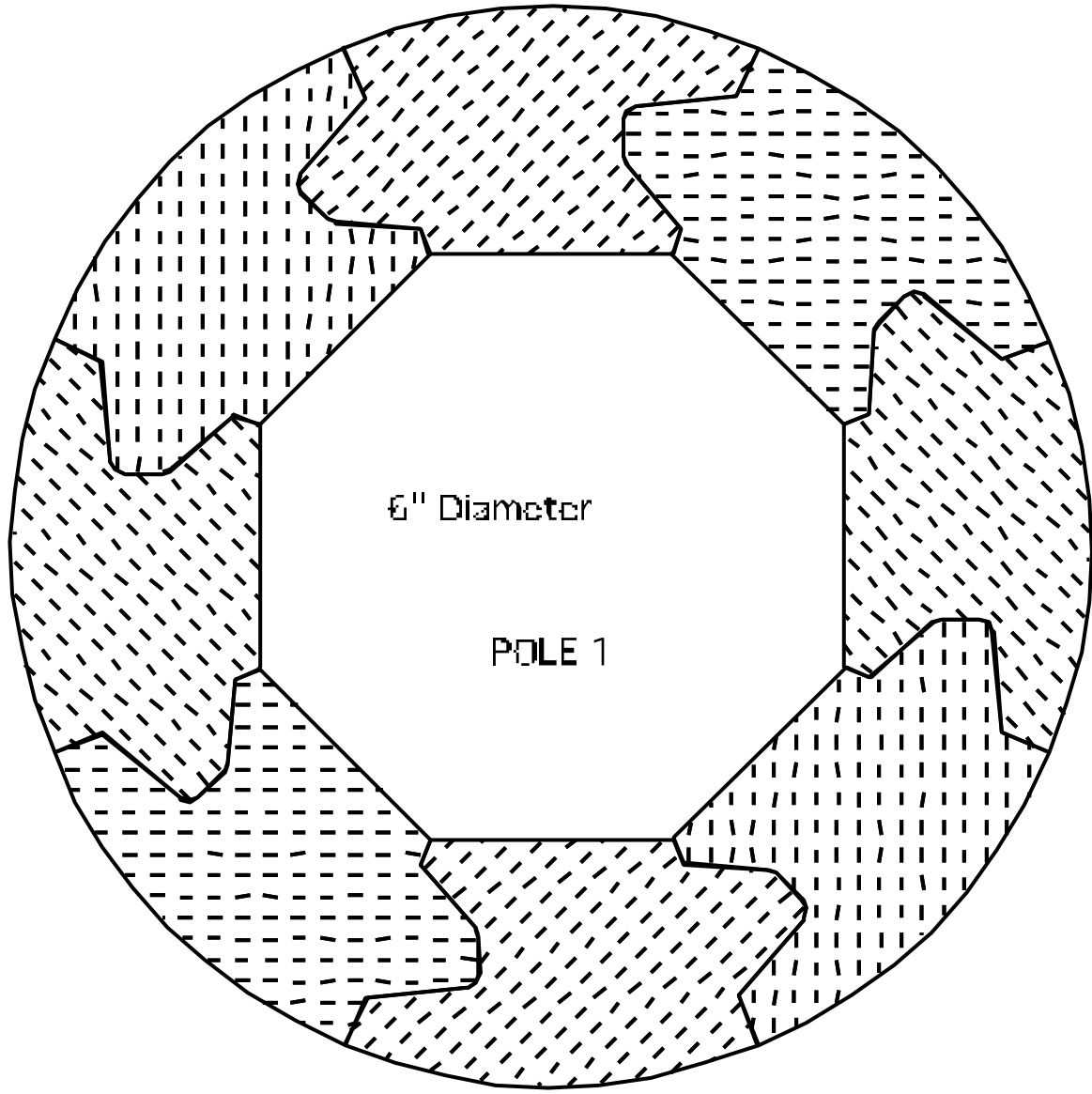
2.313"
58.75mm

CONTACT US FOR ORDERING INFO
SPECIAL ORDER PROFILES ALLOW UP TO 4 WEEKS



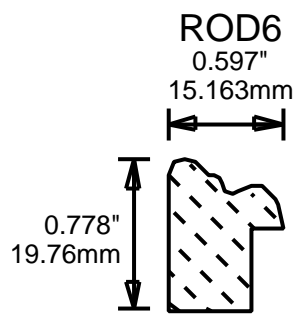
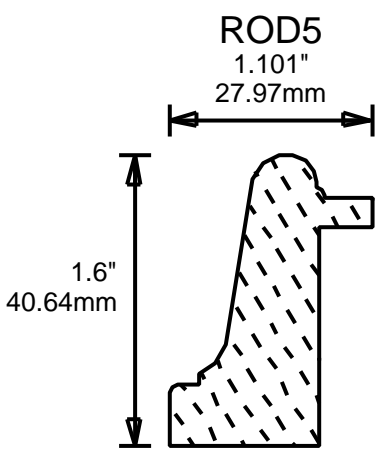
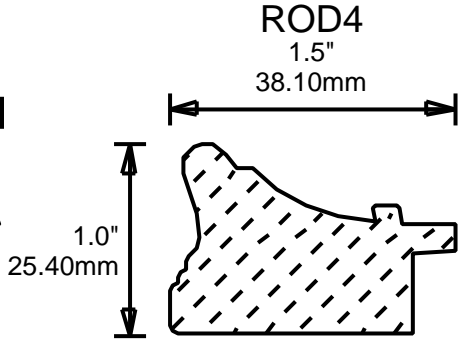
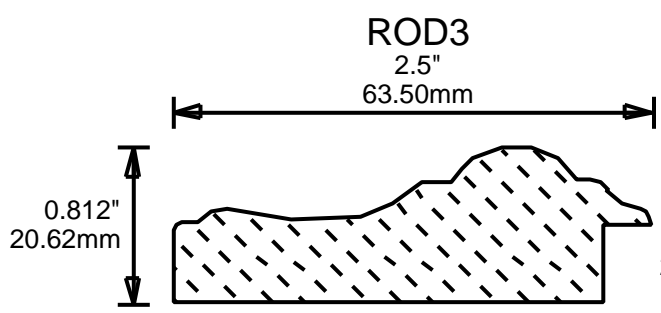
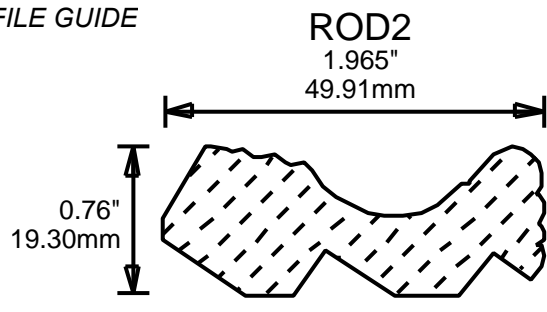
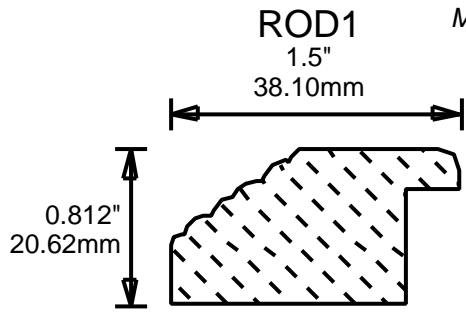
Available in Various Sizes and Styles

CONTACT US FOR ORDERING INFO
SPECIAL ORDER PROFILES ALLOW UP TO 4 WEEKS



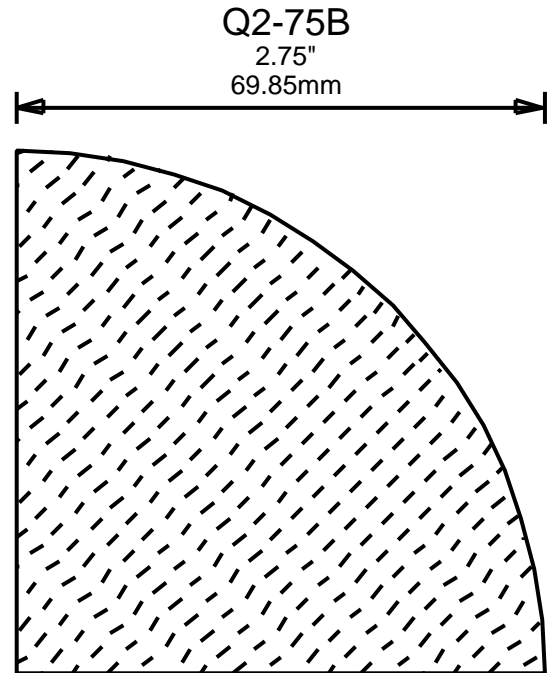
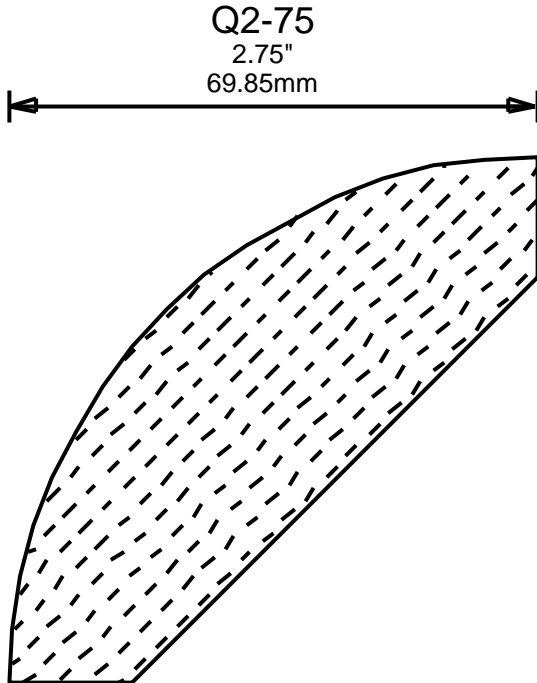
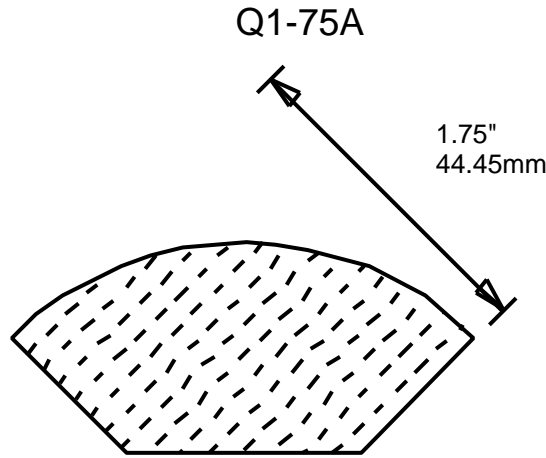
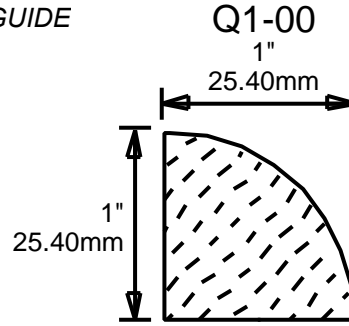
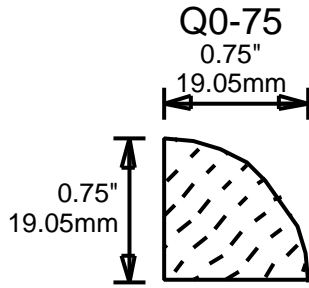
Available in Various Sizes

MOLDING PROFILE GUIDE



CONTACT US FOR ORDERING INFO
SPECIAL ORDER PROFILES ALLOW UP TO 4 WEEKS

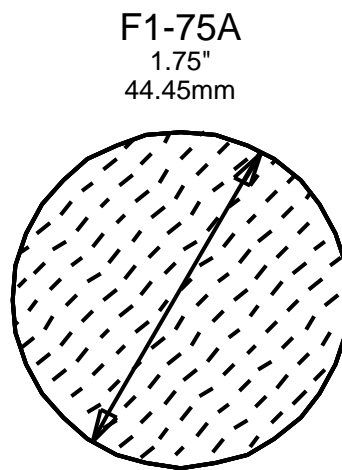
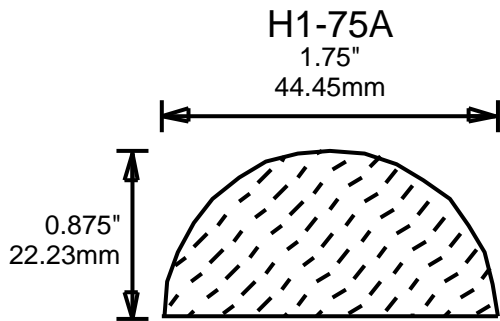
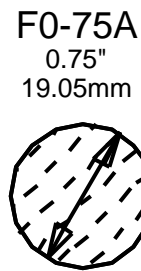
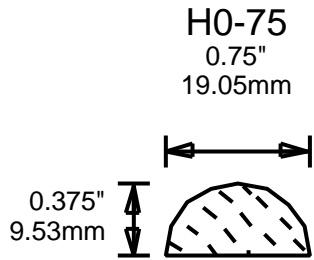
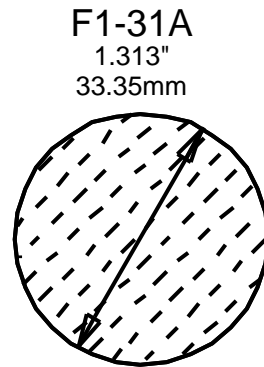
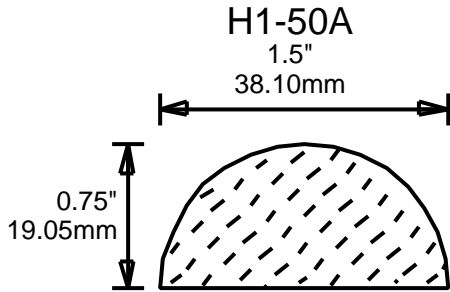
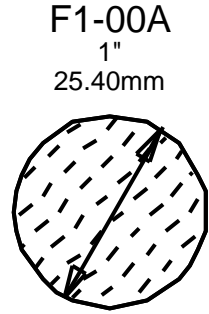
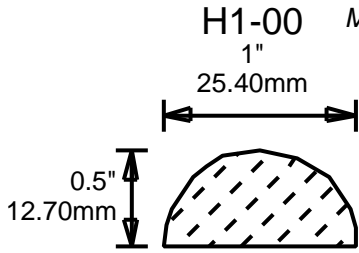
MOLDING PROFILE GUIDE



Available in Every Size

CONTACT US FOR ORDERING INFO
SPECIAL ORDER PROFILES ALLOW UP TO 4 WEEKS

MOLDING PROFILE GUIDE

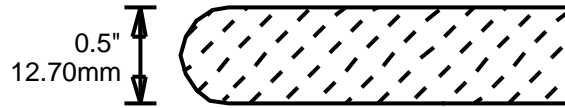


Available in Various Sizes

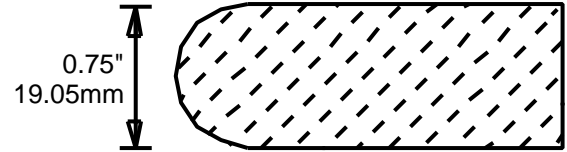
CONTACT US FOR ORDERING INFO
SPECIAL ORDER PROFILES ALLOW UP TO 4 WEEKS

MOLDING PROFILE GUIDE

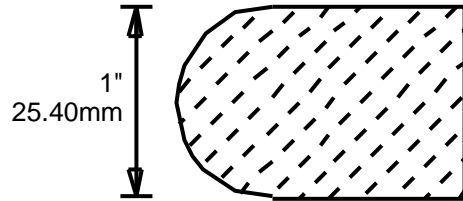
BULL 0500



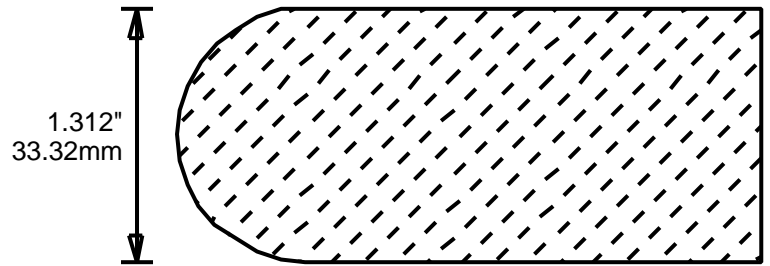
BULL 0750



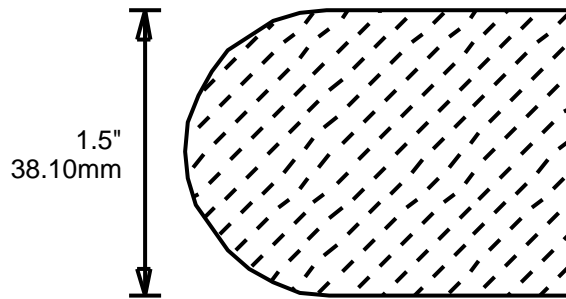
BULL 1000



BULL 1312



BULL 1500

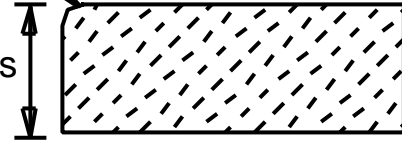


Specify Thickness When
Ordering a Bullnose

MOLDING PROFILE GUIDE

Radius

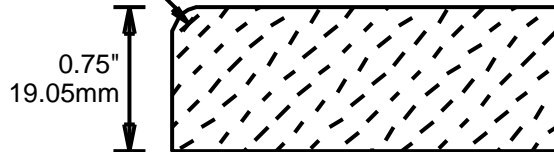
Thickness



Specify Thickness and Radius
When Ordering

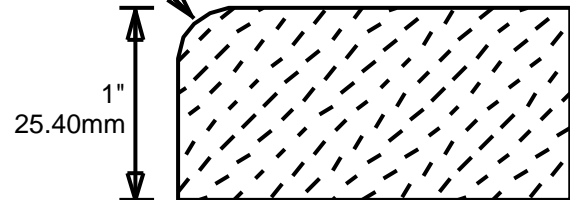
RO . 125

RAD125-075



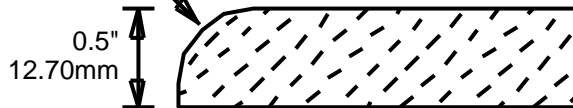
RO . 25

RAD250-100



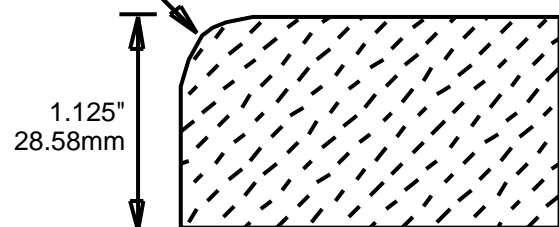
RO . 375

RAD375-050



RO . 375

RAD375-112



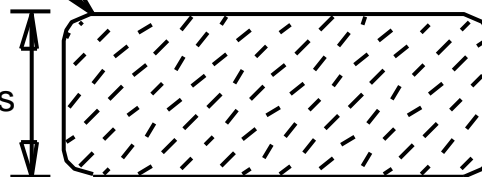
CONTACT US FOR ORDERING INFO
SPECIAL ORDER PROFILES ALLOW UP TO 4 WEEKS

MOLDING PROFILE GUIDE

Radius

Thickness

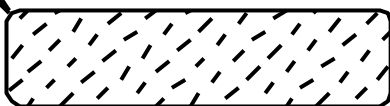
Specify Thickness and Radius
When Ordering



R0.062

E4E050-062

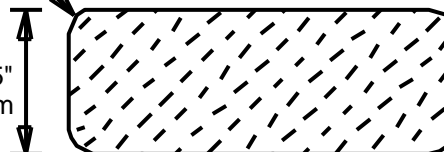
0.5"
12.70mm



RO .125

E4E075-125

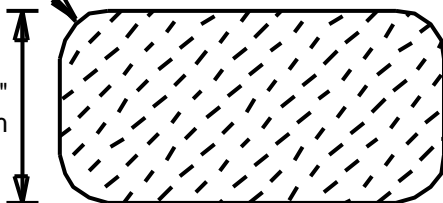
0.75"
19.50mm



RO .25

E4E100-250

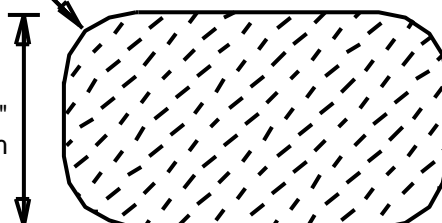
1"
25.40mm



RO .375

E4E112-375

1.125"
28.58mm



CONTACT US FOR ORDERING INFO
SPECIAL ORDER PROFILES ALLOW UP TO 4 WEEKS