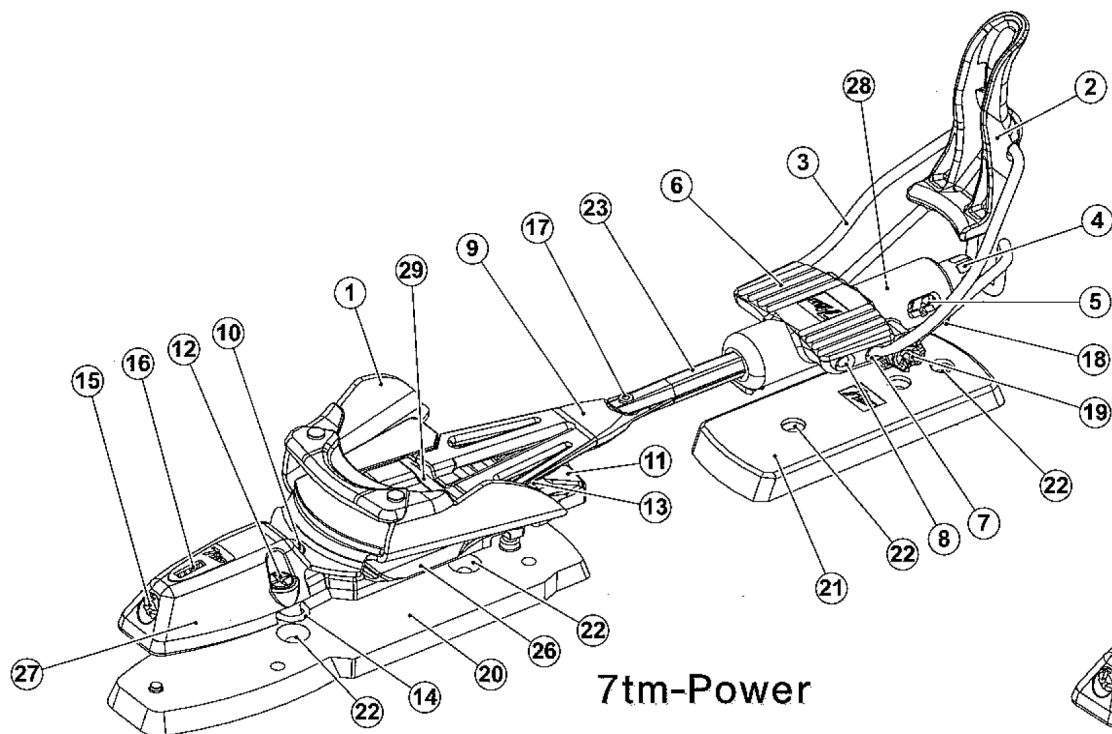


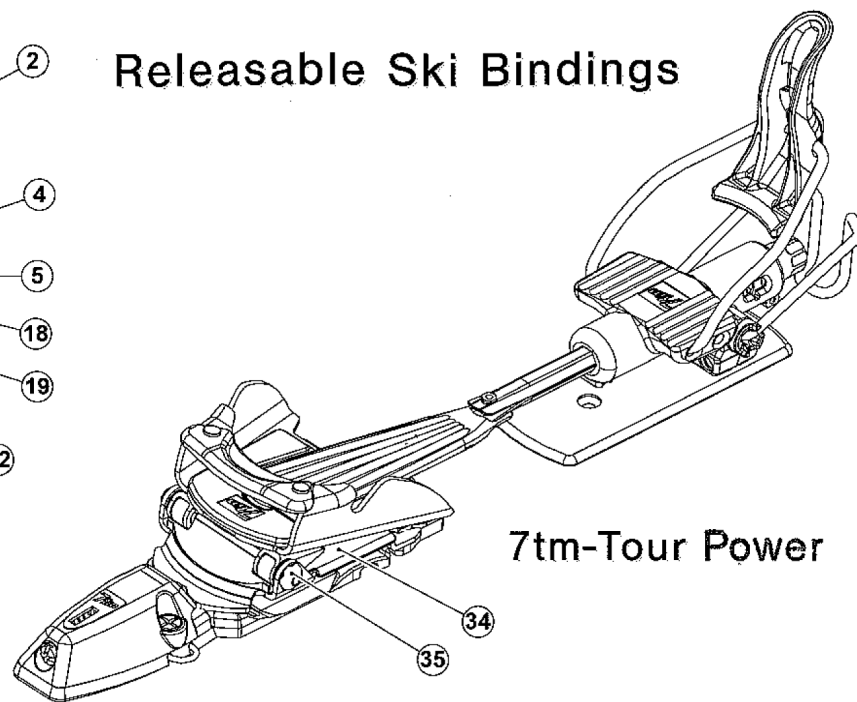
# 7tm

ADVANCED TELEMARX EQUIPMENT

## Releasable Ski Bindings



7tm-Power



7tm-Tour Power

- 1 Toe piece
- 2 Heel fastener
- 3 Heel fastener bar
- 4 Length adjustment screw
- 5 Forward Pressure adjustment scale
- 6 Standing plate
- 7 Heel fastener housing (standard position)
- 8 Heel fastener housing (extra short position)
- 9 Tension strap
- 10 Roller-cam
- 11 Holding block

- 12 Front binding screw
- 13 Rear binding screw
- 14 Ringlet for ski leash
- 15 Adjusting screw
- 16 Adjusting scale
- 17 Connecting screw
- 18 Split pin
- 19 Housing for climbing heel
- 20 Front part of riser plate - optional
- 21 Rear part of riser plate - optional
- 22 Screws for riser plate - optional

- 23 Marking for length
- 24 Ski leash
- 25 Anti icing plugs
- 26 Upgrade plate
- 27 Release housing
- 28 Pressure spring (inside)
- 29 Power pin

- 34 Touring hinge
- 35 Axle & nuts
- 36 Touring lock