



## Owner's Manual

Visit [Gun Dog Supply.com](http://GunDogSupply.com)  
Order a Dogtra 2300 NCP Training Collar  
See Other Dogtra Products

### Remote Controlled Dog Training Collars **dogtra** 2300NCP Advance Series



**Dogtra Company**  
22912 Lockness Avenue  
Torrance, CA 90501 U.S.A.  
Tel) 310.534.0101  
Fax) 310.534.9111  
Toll Free) 1.888.811.9111



## CONTENTS

---

• MAIN FEATURES .....	2
• PRODUCT SAFETY AND HEALTH STATEMENTS .....	3
• PACKAGE CONTENTS .....	4
• DESCRIPTION OF TRANSMITTER PARTS .....	5
• BUTTON FUNCTION .....	13
• DESCRIPTION OF COLLAR/RECEIVER PARTS .....	17
• BATTERY CHARGER .....	21
• TESTING YOUR <b>dogtra 2300NCP Advance Series</b> COLLARS	22
• FITTING THE COLLAR ON THE DOG .....	24
• CHARGING THE BATTERIES .....	26
• ACCESSORIES .....	30
• BASIC MAINTENANCE .....	31
• TROUBLE SHOOTING GUIDE .....	32
• WARRANTY AND REPAIR INFORMATION	35

### MAIN FEATURES

- Easy-to-use, ergonomic transmitter.
- Rheostat dial allows for gradual increases in stimulation intensity with no jumps between levels (0-127).
- Two-dog models allow the trainer to control two different dogs from one transmitter without the hassle of handling unnecessary parts.
- **dogtra 2300NCP Advance Series** has a 3/4-mile range.
- Stimulation type- “Nick”, “Constant” and non-stimulating pager/vibration.
- **dogtra 2300NCP Advance Series** uses a new Lithium Polymer battery that provides a 2-hour rapid charge.
- Fully Waterproof collar/receiver and transmitter.
- No external antenna on the collar/receiver.
- One-charger system allows the transmitter and receiver(s) to be charged at the same time.
- Over 8000 different identity codes to prevent signal match-up with other e-collars.
- Easily visible blue LCD screen displays exact level of stimulation and can be seen in the dark or low light conditions.
- Three bar battery life indicator and LED colored indicator to show remaining battery life.

### PRODUCT SAFETY AND HEALTH STATEMENTS

#### Proper e-collar use

Dogtra e-collars are intended for the sole purpose of behavior modification of dogs. They are not intended for human use or use on other animals. Dogtra Company does not assume any liability for improper use of the Dogtra e-collar.

#### Aggressive dogs

Dogtra does not recommend using the e-collar to correct dogs that are aggressive towards other dogs or people. In many such cases the dog will associate the stimulation with the other dog or individual and become even more aggressive. Dog aggression is best treated by a dog-training specialist.

#### Interference with other electronic devices

Dogtra’s industry-leading technology filtering system ensures minimal interference with other electronic devices (garage door openers, pacemakers, etc.). Our digital microprocessor offers thousands of unique codes to eliminate frequency match-up with other Dogtra e-collars.

#### Inadvertent activation

If the constant button is held down for 12 seconds or more the unit will automatically shut down. It will reactivate when the button is released.

## PACKAGE CONTENTS

---

### *dogtra* COLLAR PACKAGE CONTENTS

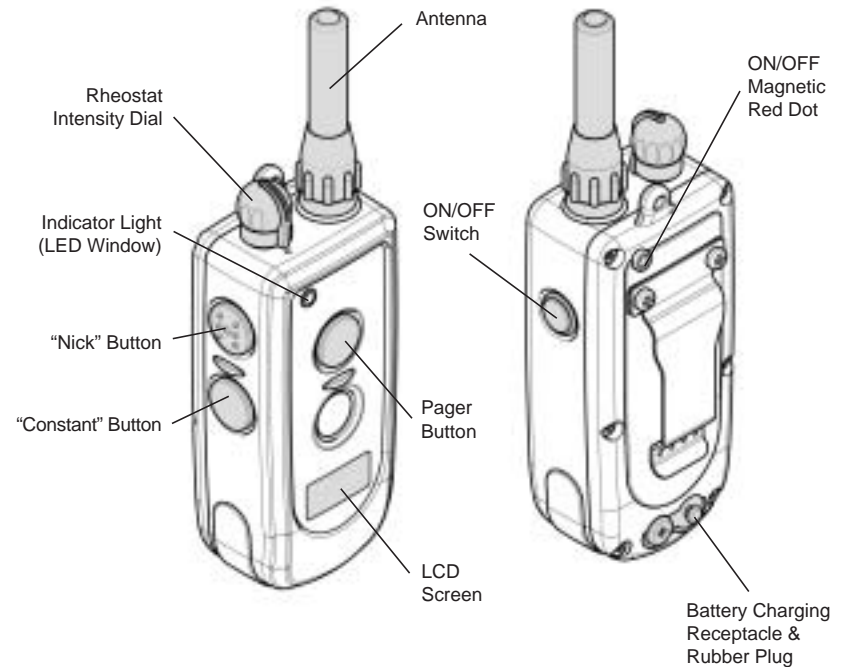
- Transmitter
- Receiver (two collar receivers for *dogtra* two-dog models)
- Battery charger and splitter cable
- Test light
- Owner's manual
- Carrying case

## DESCRIPTION OF TRANSMITTER PARTS

---

### DESCRIPTION OF TRANSMITTER PARTS

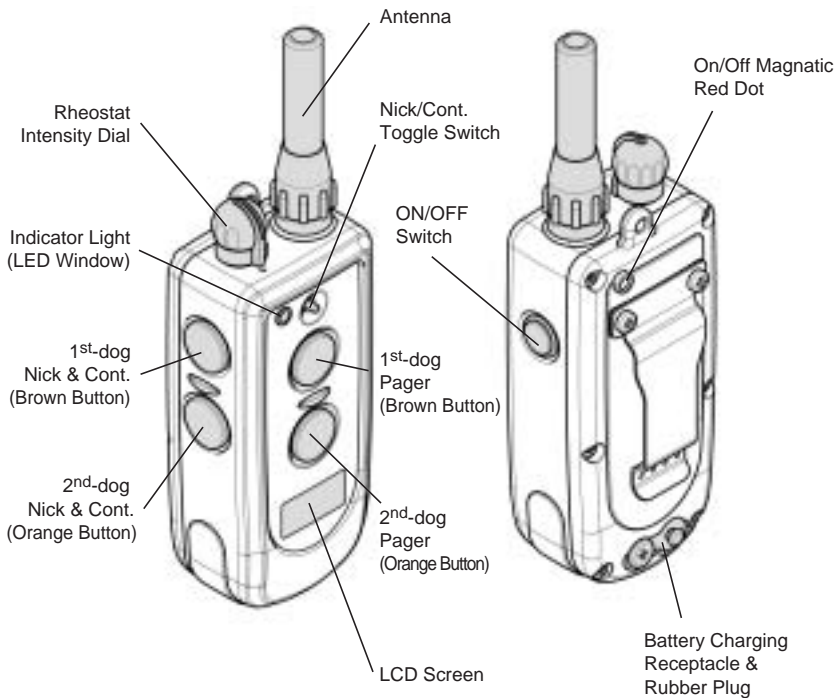
*dogtra* 2300NCP Advance transmitter (1-dog)



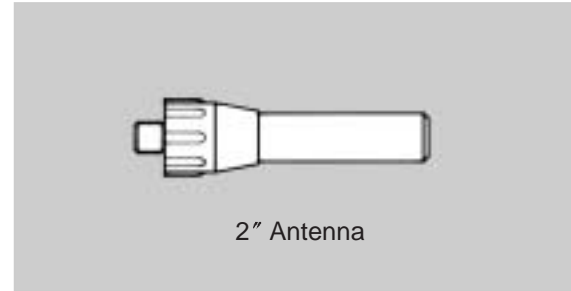
DESCRIPTION OF TRANSMITTER PARTS

DESCRIPTION OF TRANSMITTER PARTS

*dogtra* 2302NCP Advance transmitter (1-dog)



DESCRIPTION OF TRANSMITTER PARTS

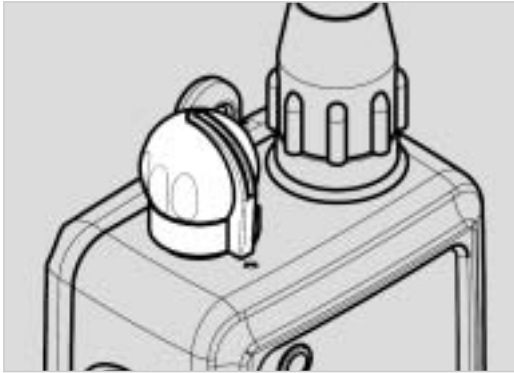


Transmitter Antenna

A short 2" antenna is supplied with the *dogtra* 2300NCP Advance Series transmitter. The antenna must be fastened to the transmitter before using the unit.

## DESCRIPTION OF TRANSMITTER PARTS

---

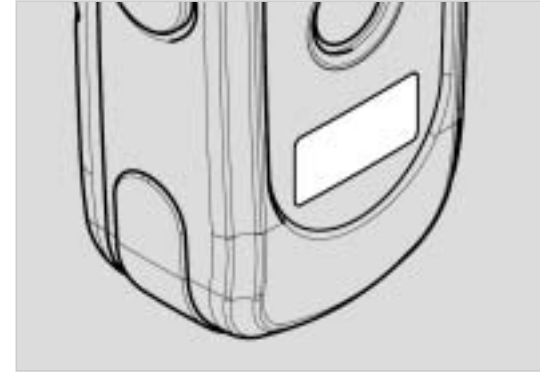


### Rheostat Intensity Dial

The Rheostat Intensity Dial is located on the top of the transmitter: (0) being the lowest level and (127) being the highest. The LCD screen shows the intensity level during operation.

## DESCRIPTION OF TRANSMITTER PARTS

---



### LCD Screen

The LCD screen indicates the stimulation level (0-127) on the screen.

The LCD battery life indicator shows 3 bars at full charge, 2 bars at medium charge and 1 bar when it needs to be charged. The battery life indicator only specifies the remaining charge for your transmitter. To find the remaining charge for your receiver, observe the LED on the collar/receiver. When it emits a: (**Green color** = fully charged, **Amber color** = medium charge, **Red color** = needs charge).

## DESCRIPTION OF TRANSMITTER PARTS

---

### *Care for LCD Transmitters in Cold Temperature*

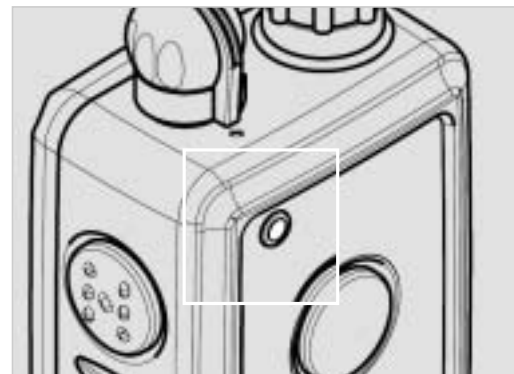
In cold temperatures (10 degrees F or below), the Liquid Crystal Display (LCD) on your transmitter may be dim or slow to respond. Wait until the display becomes visible before selecting any training level.

Even though the LCD screen might be dim or slow to respond, when you push the Nick or Constant button, the transmitter will still function properly. In the occurrence of extremely cold weather, the LCD screen might take a moment to respond causing the Intensity level to freeze at that current level. In this situation, if you turn the Rheostat Intensity Dial, and the intensity level on the screen does not increase, yet you emit an electrical stimulation, the level will be in agreement with the new changed intensity level.

In this situation, it is ideal to either wait until your transmitter is back to working order before emitting a correction, or while holding the constant button down slowly turn the Rheostat Intensity Dial while watching your dog's reaction. Do not turn the Rheostat Intensity Dial at a rapid increase because the collar/receiver will emit a static correction based on the level of the Rheostat Intensity Dial, which might not be correctly reflected on the LCD screen.

## DESCRIPTION OF TRANSMITTER PARTS

---



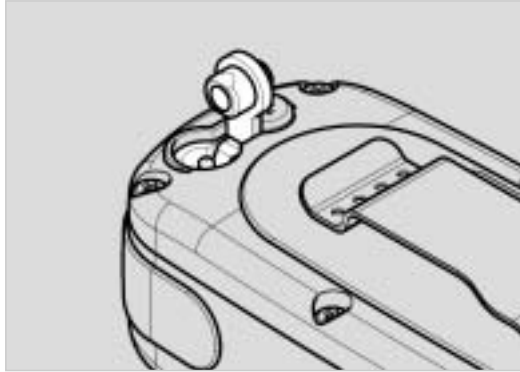
### **Transmitter Indicator Light (LED Window)**

The transmitter LED indicator light is located near the Rheostat Intensity Dial. It will flash every 4 seconds when the transmitter has been turned on. The color of the light indicates the status of battery life. It flashes green when the battery is fully charged and turns to amber when the battery is at medium charge. It is acceptable to charge your unit even at medium charge without any damage incurred to your collar. When the transmitter indicator emits a blinking red light, the battery needs to be recharged.

(**Green** = full charge, **Amber** = medium charge, **Red** = needs charge).

## DESCRIPTION OF TRANSMITTER PARTS

---



### Transmitter Battery Charging Receptacle & Rubber Plug

Located on the backside of the transmitter, the charging receptacle is covered by a rubber plug. Insert one end of the battery charging cable into the receptacle to charge the battery (See Battery Charging Procedure on page 27).

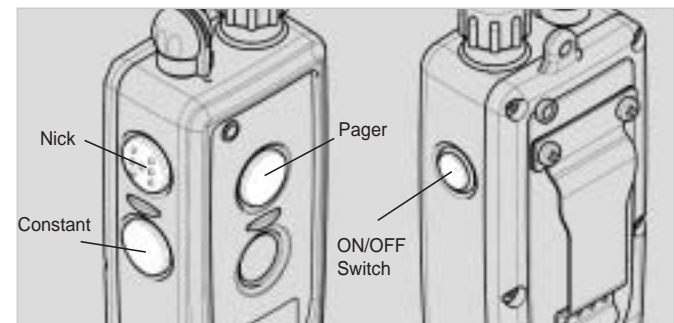
After charging is completed, close the receptacle with its rubber plug to make sure dirt or water does not get inside.

## DESCRIPTION OF TRANSMITTER PARTS

---

### BUTTON FUNCTION

#### *dogtra* 2300NCP Advance (1-dog)



The transmitter for the *dogtra* 2300NCP Advance single dog unit has four buttons (one on the face of the transmitter, two on the left side and one on the right side).

#### “Nick” Button

The “Nick” button is located on the top left. It is imprinted with the letter “N” for an easy, clear selection. When the “Nick” button is pushed the receiver emits a single, rapid pulse of electrical stimulation.



## DESCRIPTION OF TRANSMITTER PARTS

---

### “Constant” Button

The “Constant” button is located on the bottom left. Pressing the “Constant” button gives continuous stimulation as long as the button is pushed, for up to 12 seconds. If the button is not released after 12 seconds, the stimulation will automatically turn off as a safety feature. The collar will be ready to be reactivated once the button has been released.

### “Pager” Button

The pager button is located on the face of the transmitter. Pressing it will give non-stimulating vibration as long as the button is depressed, for up to 12 seconds.

### Transmitter Power ON/OFF

The button on the right side of the transmitter is the “ON/OFF” button that activates the transmitter and LCD screen only.

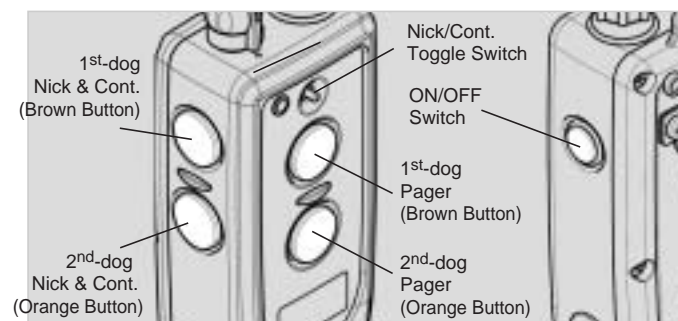
To turn the transmitter on, press the “ON/OFF” button on the right side until the LCD screen illuminates.

To turn the transmitter off, press the “ON/OFF” button on the right side of the transmitter. When the LCD screen displays “OFF” release the button.

## DESCRIPTION OF TRANSMITTER PARTS

---

### *dogtra* 2302NCP Advance (2-dog)



The *dogtra* 2302NCP Advance two-dog unit has five buttons and a toggle switch on the transmitter.

Two on the face of the transmitter, two on the left side, and one on the right side.

### “Nick” & “Constant” Toggle Switch

Located on the face of the transmitter is a toggle switch. The toggle switch has

a setting for “Nick” and another for “Constant”. The color-coordinated buttons (orange for the orange receiver/collar and brown for the black receiver/collar) will implement the

## DESCRIPTION OF TRANSMITTER PARTS

---

desired stimulation based on the toggle switch setting.

When either the orange or brown stimulation button is pressed and the toggle is set on “Nick” the receiver emits a single, rapid pulse of electrical stimulation.

When you press either the orange or brown stimulation button, and the toggle is set on “Constant”, the receiver emits a continuous stimulation as long as the button is pushed, for up to 12 seconds to the corresponding collar. If the button is not released after 12 seconds, the stimulation will automatically turn off as a safety feature. The collar will be ready to be reactivated once the button has been released.

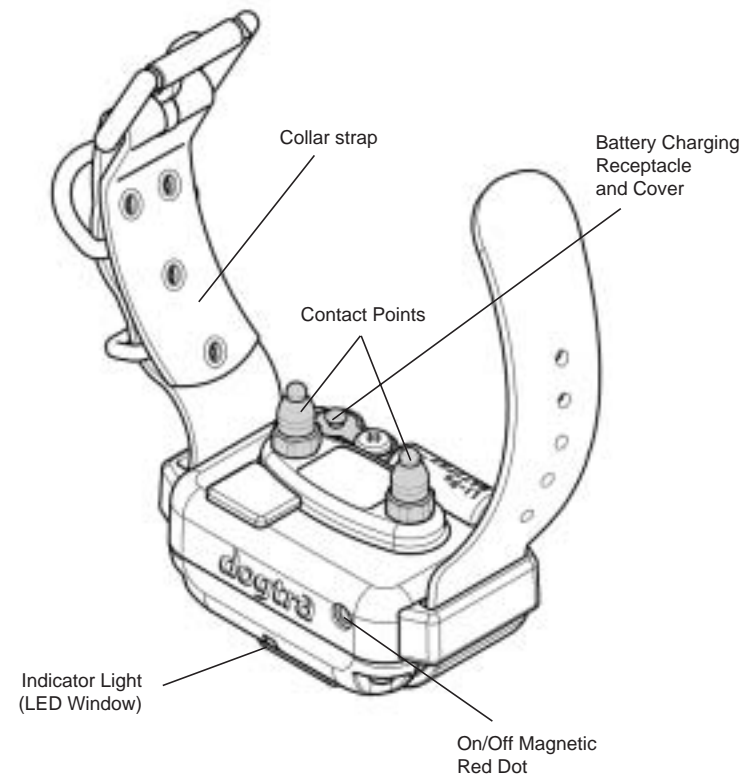
### “Pager” Button

The pager buttons are located on the face of the transmitter. The orange button corresponds with the orange receiver/collar and the brown with the black receiver/collar. Pressing it will give non-stimulating vibration as long as the button is depressed, for up to 12 seconds.

## DESCRIPTION OF COLLAR / RECEIVER PARTS

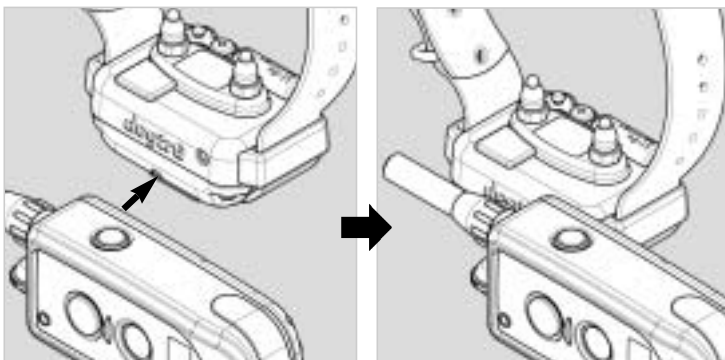
---

### DESCRIPTION OF COLLAR / RECEIVER PARTS



## DESCRIPTION OF COLLAR / RECEIVER PARTS

---



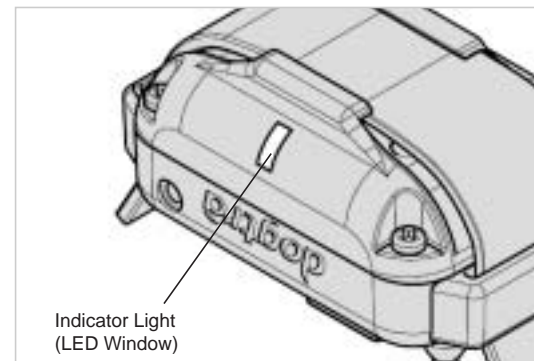
### Receiver ON/OFF Magnetic Red Dot

To activate the receiver/collar, place the red dot on the back of the transmitter to the red dot on the collar/receiver. Hold the two red dots together for a moment until the LED light on the receiver/collar comes on.

To deactivate the unit, repeat the same procedure holding the two red dots together momentarily. The LED light will turn red for a brief moment indicating that the collar/receiver is now shut off.

## DESCRIPTION OF COLLAR / RECEIVER PARTS

---



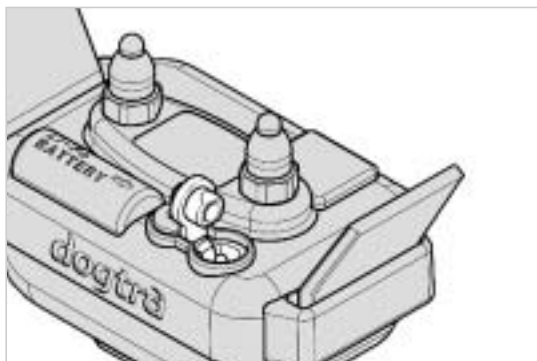
### Receiver Indicator Light (LED window)

Located on the front of the receiver/collar, the indicator light comes on and blinks once every 4 seconds after the collar has been turned on. The color of the LED indicates the battery life of the receiver.

(**Green** = full charge, **Amber** = medium charge, **Red** = needs charge)

When the “Constant” button on the transmitter is pushed, the collar indicator light will glow steadily (either green, amber, or red based on the remaining battery life), as long as you hold the button down, for up to 12 seconds.

When the “Nick” button is pushed, the light comes on for a fraction of a second.



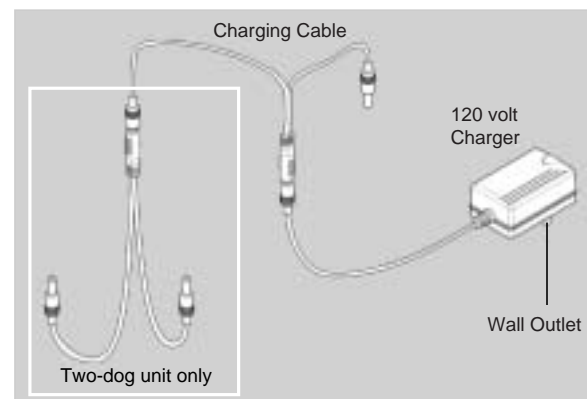
### Receiver Battery Charging Receptacle & Rubber Plug

On the inside of the collar receiver, next to the collar strap, is a battery-charging receptacle with a rubber plug.

### Internal Antenna

All Dogtra E-collars have non-exposed antennas that are located inside the collar/receiver.

### BATTERY CHARGER

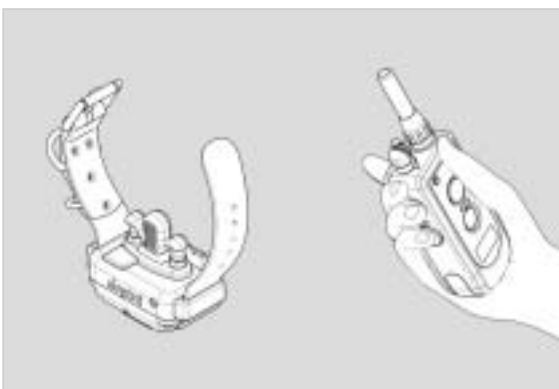


The battery charger and charging cables allow you to charge both the transmitter and receiver at the same time. The battery charger is designed for a 120-volt wall outlet. (European 230-volt AC chargers and 12-volt field charger for Lithium-Polymer batteries for your automobile are also available.)

To use the battery charger for the two-dog unit, combine both sets of battery charging (splitter) cables as shown. This enables you to charge the transmitter and both receivers at the same time.

**NOTE : Only use Dogtra-approved Lithium-Polymer Battery Chargers for your Dogtra e-collar. This will prevent any damage that can be incurred from attempting to use a different charger.**

## TESTING YOUR *dogtra* 2300NCP Advance Series COLLARS

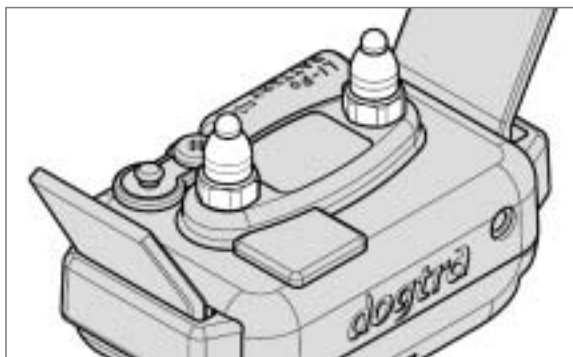


1. To activate your *dogtra* 2300NCP Advance Series place the red dot on the back of the transmitter to the red dot on the collar/receiver. Hold the two red dots together for a moment until the green colored LED indicator light comes on.
2. Place the Test light included in the package contents on the contact points as shown in the diagram.

3. Turn the transmitter on by pressing the blue button on the right side of the transmitter until the LCD screen illuminates. The LCD screen shows the amount of battery life remaining and the LED blinks once every 4 seconds.
4. Watch the test light as you push the “Nick” button on the transmitter. It should light for just a moment.
5. Watch the test light as you push the “Constant” button on the transmitter. It should light for as long as the button is pressed. However, as a safety feature, the collar/receiver will automatically shut off stimulation if the constant button is depressed for 12 seconds or longer.
6. Turn the Rheostat Intensity Dial on the transmitter clockwise and then counterclockwise. The test light should glow brighter with higher levels of stimulation and dimmer with lower levels. When you change the intensity dial, the number on the LCD screen will change as well.
7. Pressing the “Pager” button on the front of the transmitter causes the collar to vibrate for up to 12 seconds. The collar will reactivate when you push the button again.

**NOTE :** The test light may not come on if the intensity level is set below level ten.

## FITTING THE COLLAR ON THE DOG



The collar should be fitted so that the Surgical Stainless Steel contact points press firmly against the dog's skin. You should be able to fit a finger in between the contact point and your dog's skin.

A loose fit can allow the collar to move around on the dog's neck. When this happens, the contact points may rub the skin and cause irritation. If the collar is too loose, electrical contact will be inconsistent and your corrections will be inconsistent also.

Dogtra uses Surgical Stainless Steel contact

points and Anti-microbial plastic to protect the dog's skin.

### **ATTENTION!**

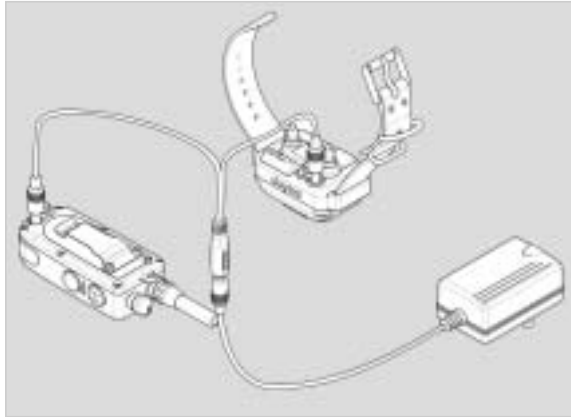
Avoid having the dog wear the collar for more than 8 hours out of every 24-hour period. Leaving the points on the same spot for extended periods of time can cause skin irritation. If the dog is to wear the e-collar for long periods, occasionally reposition the collar so that the contact points are moved to a different spot on the dog's neck.

### **INTENSITY SELECTION**

The **dogtra 2300NCP Advance Series** has a Rheostat Intensity Dial on the top of the transmitter. (0 is the lowest and 127 is the highest). Remember that you will need to adjust the setting (upward or downward) depending on your dog's temperament and threshold for stimulation. Also, as the dog's attitude changes, especially during times of increased excitement or distraction, you might need to adjust the intensity level.

**NOTE : The stimulation intensity can be adjusted even while the stimulation is in use.**

## CHARGING THE BATTERIES



**dogtra 2300NCP Advance Series** uses Lithium-Polymer batteries.

1. Charge the unit before using the unit for the first time.
2. Do not charge the batteries near any flammable substances.
3. Fully charge the batteries if the unit is to be stored without use for a period of 3 months or more.

### Recharge the unit if:

- The indicator light on the collar is emitting a red color.
- If the 3 bar indicator on the transmitter LCD shows just 1 bar.
- The indicator light on the transmitter or receiver will not come on.
- The indicator light on the transmitter or receiver comes on momentarily, but will not stay on when the “Constant” button is pushed.

### Battery Charging Procedure

**Note :** The unit has a partial charge when it leaves the Dogtra facility, upon receipt of the collar, be sure to give it a full 2-hour initial charge before the first use.

1. Attach the charging cables to both the transmitter and receiver(s), as shown on page 26.
2. Plug the charger into a 120-volt wall outlet or, if using the accessory field charger, plug into a cigarette lighter only for Lithium-Polymer battery. (Use a 230-volt European charger for Europe.) When properly plugged in, all indicator lights should glow red.

During the charging process, the unit will shut off. Once the battery cable is unplugged from the unit after a full charge, you will need to turn the unit on again before use.

3. The Lithium-Polymer battery is fully charged within 2 hours. The lights will stay red during the charging process. The red light will change into a steady green light when the battery is fully charged. (When you disconnect the charger after finishing the charge, you will need to restart the units).
4. After charging, cover the battery charging receptacles with the rubber plugs on the transmitter and receiver.

**NOTE :** Only use Dogtra-approved batteries, chargers, and accessories for your Dogtra e-collars. When a charger is not in use, disconnect it from the power source.

### Reception

The ***dogtra 2300NCP Advance Series*** collar has a range of 3/4-mile. Depending on the way you use your transmitter, the transmitter range may vary.

Hold the transmitter away from your body and avoid touching the antenna, to get the greatest range.

For maximum signal strength, keep your unit properly charged.



Maximum Range



Typical Range



Minimum Range



## ACCESSORIES

The following items may be purchased separately by calling our customer service at (888) 811-9111. You may also browse the selection at [www.dogtra.com](http://www.dogtra.com).

### **European Charger**

Designed for use with 230V AC electrical outlets in Europe.

### **Field Auto Charger (for Lithium-Polymer Battery only)**

Designed for use with the 12-volt cigarette lighter in your car.

## BASIC MAINTENANCE

Be sure that the rubber charging plugs are always secured when the collar is in use. If your plugs break or are ripped, please contact Customer Service at [info@dogtra.com](mailto:info@dogtra.com) or (888) 811-9111 to obtain replacements.

After each session, carefully inspect your unit for any missing parts, or casing damage. Broken casings on either the receiver or transmitter may affect the waterproof guarantee of the unit. The transmitter antenna should be secured and tight for optimum performance. Rinse the unit after each session and clean off any dirt or debris.

### **Storage Maintenance**

Your unit should be fully charged for 2 hours before extended storage. During storage, the unit should be charged every 3 months for 2 hours, and once before the first use.

When traveling, try to store your units in room or slightly warmer temperatures, do not transport the unit exposed in extreme climates.

### **Troubleshooting:**

If you suspect your unit is malfunctioning please refer to the “Troubleshooting Guide” before you send your unit in for service.

If you have any questions or concerns, you may direct your inquiries to [info@dogtra.com](mailto:info@dogtra.com) or call (888) 811-9111.

## TROUBLESHOOTING GUIDE

### 1. My dog is not reacting to the collar.

- Make sure the receiver is turned on. Place the two red dots together to activate the receiver. Push the blue button on the transmitter until it illuminates to activate the transmitter.
- Be sure the collar strap is tight enough so both contact points are touching the dog's skin.
- The contact points may be too short for the dog. To place an order for longer contacts appropriate for your dog, please call (888) 811-9111.

If you are already using the longest contact point available, you might need to trim down the hair on the dog's neck so both contact points are touching the dog's skin.

- The intensity level may be too low for your dog. Keep increasing the stimulation until the dog responds usually by neck movement, head shaking, looking over his shoulder, etc. (response may be very subtle so pay attention.)

### 2. The test light comes on, but I do not feel any stimulation.

- Your tolerance may be higher than your dogs, or your skin very thick, so you may need to try the unit on your fingertips where sensitivity is higher. Be sure both contact points are touching your fingertips.
- The battery may be low, check the LED light for battery life.
- If you have a full charge, and you have done all of the above, your unit may need to be serviced. Please contact Customer Service at [info@dogtra.com](mailto:info@dogtra.com) or (888) 811-9111.

### 3. The transmitter has no range, or stimulation is less when the dog is farther away.

- The antenna(s) may be damaged. To order parts please contact Customer Service at (888) 811-9111.
- The range indicated on the unit's box is for flat terrain. Heavy brush, trees, hills or moisture will affect the range of your unit. For best range, hold the transmitter vertically above your head. Try also moving to higher ground.
- Any electrical conductors will affect the range, such as cars, chain-link dog runs, metal buildings, radio towers. For best results, operate away from these structures.

**4. My collars are not holding a charge.**

- The batteries might not be charged properly, or the charger, splitter and the charging port needs to be looked at. If you suspect your charger/splitter is not functioning properly please contact Customer Service at [info@dogtra.com](mailto:info@dogtra.com) or (888) 811-9111. You can send in your charging units in to have us inspect them.
- The charging pin may be damaged. Inside the charging port, there is a metal pin that should be standing straight up and stiff. If the pin is wobbling, broken or missing, you will need to send the unit in to the Repair's Dept. The charging port must be clean prior to charging, clean the dirt out with a cotton swab and some rubbing alcohol. If the dog is in salt-water, be sure to rinse the receiver and charging port with clean water.
- For Dogtra units over two years old from purchase date, batteries may be replaced when having battery problems. You can replace them yourself by ordering parts from Dogtra. Damages incurred to the unit due to improper installation are not covered under any warranty. This is the only time customers should open the unit, any other unauthorized servicing or tampering of the unit voids your limited lifetime warranty. If after batteries are replaced, and you still are having problems with the unit, Dogtra strongly recommends sending the unit in for inspection.

**WARRANTY AND  
REPAIR INFORMATION**

**Dogtra Company** provides the original purchaser with a **LIMITED LIFETIME WARRANTY**. Limited Lifetime Warranty begins from the date of purchase. For the first two years coverage is for both parts and labor, on all our products purchased new. Accessories such as, chargers, splitter cables, antennas, straps and **batteries** have a one-year warranty from the date of purchase. Once the first and second year warranty coverage expires, the Limited Lifetime Warranty will cover for all parts except accessories and labor fees. Labor fees and shipping fees incurred are the customers' responsibility. Labor fees will be variable depending on the extent of work required. The Limited Lifetime Warranty will expire 5 years from the date a model is discontinued in production by Dogtra Company.

**To Qualify for the Limited Lifetime Warranty :**

To register your Dogtra product, please log onto our website at [www.dogtra.com](http://www.dogtra.com), click on the warranty registration link and fill out the required information. All registration must be completed within 30 days of your purchase. If you do not have access to a computer, you can call our toll free number of 888-811-9111 so one of our customer service representatives can register your product online for you. Also if you were unable to register your product on our website we will accept all products for repair with a proof of purchase. We strongly recommend you keep your original receipt. If your product is not registered and proof of purchase is not available at the time of service, Dogtra will estimate the age of the unit by the serial number. Serial number estimates can be different than the actual purchase time. Without proof of purchase or product registration this is the only method we have for determining the approximate date of purchase.

**Not Covered Under Warranty :**

We cannot offer warranty for units/products that have been bought secondhand or as a resold product.

Dogtra **DOES NOT** replace defective units or provide refunds for products purchased from us after 30 days from the date of the purchase. Issues of replacement and refunds on units purchased less than 30 days from an authorized dealer need to be addressed to the dealer directly.

Dogtra's warranty **DOES NOT** cover repairs or replacements due to misuse by the owner or dog, improper maintenance, and/or lost units. Any water damage on the Water Resistant Transmitters of the 175NCP, 180NCP, 200NCP, 202NCP, 1400NCP, 1402NCP, 1500NCP and 1502NCP will also not be covered. All replacement cost for either the transmitter or receiver will be the owner's responsibility.

**\* Battery replacement by the customer during the first year of the warranty is not recommended. If the customer chooses to replace the batteries, any damage to the unit during the change-out by the owner will void the warranty.**

The warranty is void if the unit has been altered or an unauthorized person has attempted repair work.

### **Procedure for Repair Work :**

The cost of shipping products under warranty back to Dogtra is the customer's responsibility. Dogtra will provide/pay (via regular ground service, within the continental United States) the shipping cost back to the customer. Any expedited shipping service will be at the customer's expense. Dogtra is not responsible for loss of training time or inconvenience while the unit is in for repair work. **Dogtra does not provide loaner units or any form of compensation during the repair period.**

A copy of the sales receipt showing the purchase date is required before warranty work is initiated.

Please include a brief explanation outlining the problems and include your name, address, city/state/zip code, **daytime phone number, evening phone number, and email address.** Or, you can visit our website at [www.dogtra.com](http://www.dogtra.com). Click on the Service Request Form, print it out and follow the instructions.

**If repair costs are not covered under warranty, we will call you for credit card information once the work has been completed.** For any questions concerning your Dogtra products call us Toll Free at 1-888-811-9111, M-F 8:30AM - 4:00PM, Pacific Time, or email us at [repair@dogtra.com](mailto:repair@dogtra.com) for specific repair inquiries.

Send repair units to:

**Dogtra Company / Repairs**  
22912 Lockness Avenue  
Torrance, CA 90501  
U.S.A.

## MEMO

---