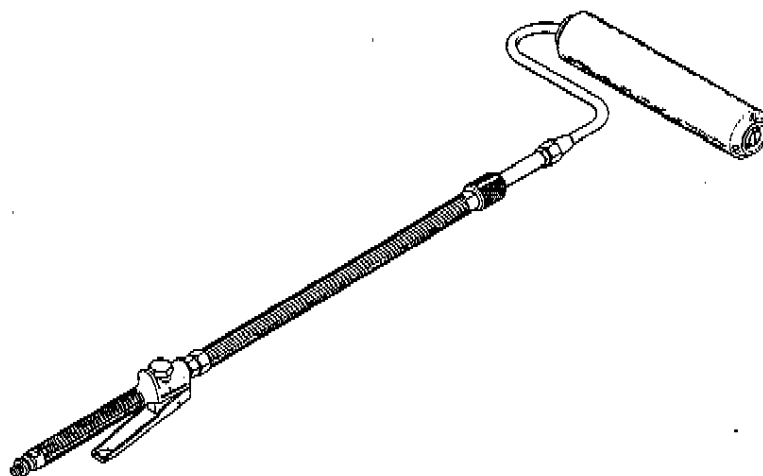


# **R-10 Telescopic Roller**

**Owner's Manual**



**Model no. 0152909 R-10 with 9" Roller**  
**0152900 R-10 with 12" Roller**

# **SprayTECH<sup>®</sup>**



**BUILT TO WORK AS HARD AS YOU™**

Form no. 0152833-2/96B

© 1985 Wagner Spray Tech. Rev. 1996 All rights reserved.

# WARNING

## HIGH PRESSURE SPRAY CAN CAUSE SERIOUS INJURY

1. Airless paint sprayer pumps operate at high pressure. Operate the equipment only after all instructions are clearly understood.
2. When flammable liquid is rolled, there may be danger of fire or explosion, especially in a confined area. Ventilate adequately! Keep the pump as far from the painting area as possible. (Failure to take these precautions may result in a fire or explosion.)
3. If an electric motor is used, turn off power to prevent accidental paint flow. Reduce pressure to 0 by turning pressure control knob counter clockwise. Bleed off pressurized paint by turning prime knob to  or "P".  
If a gasoline engine is used, turn off engine. To prevent accidental paint flow, reduce pressure to 0 by turning pressure control knob counter clockwise. Bleed off pressurized paint by turning priming knob to  or "P".
4. WHEN FLUSHING EQUIPMENT use lowest possible pressure.
5. Follow the material and solvent manufacturer's safety precautions and warnings.
6. Be sure that all accessory hoses, swivels, guns, and so forth that you use with this unit can withstand the high pressure developed.
7. Before each use, check entire hose for cuts, leaks, abrasion or bulging of cover or damage or movement of couplings. If any of these conditions exist, replace the hose immediately. Never use tape or any device to attempt to mend the hose. The paint hose can develop leaks from wear, kinking, abuse and so forth. A leak is capable of injecting material into the skin, therefore the paint hose should be inspected periodically. Do not attempt to repair a paint hose, instead replace it with another grounded hose.  
If you are injected, see a physician immediately. DO NOT TREAT AS A SIMPLE CUT! Note to physician: Injection into the skin is a serious traumatic injury. It is important to treat the injury surgically as soon as possible. Do not delay treatment to research toxicity. Toxicity is a concern with some exotic coatings injected directly into the bloodstream. Consultation with a plastic surgeon or reconstructive hand surgeon may be advisable.
8. Important—United States Government Safety Standards have been adopted under Occupational Safety and Health Act. These standards—particularly the General Standards, Part 1910, and the Construction Standards, Part 1926—should be consulted in connection with your use of airless spray equipment.
9. If a gasoline engine is used, stop engine before filling gasoline tank. Do not spill gasoline on the unit. Engine must have adequate ventilation while operating. Remember—carbon monoxide from engine is poisonous. Never operate unit without the belt guard in place.
10. DO NOT USE halogenated hydrocarbons solvents in this system; it contains aluminum parts and may explode. Cleaning agents, coatings, paints and adhesives may contain halogenated hydrocarbon solvents. Don't take chances; consult your material suppliers to be sure.
11. The R-10 is for roller use only (not spraying) serious injury could occur if used with spray tip.
12. Do not use with pressures greater than 1000 psi. Do not use with pumps that cannot be regulated between 0-1000 psi.

## R-10 TELESCOPIC ROLLER

Use the R-10 Telescopic Roller with any airless sprayer that's adjustable to 1,000 psi or less. Steady flow of paint from suction tube or hopper allows continuous rolling without stopping to dip roller or fill paint tray. You save time and mess. Paint flow is adjustable to user work speed.

### WARNING

The In-line gun is NOT to be used for spraying. DO NOT use pressure greater than 1000 psi.

Use with latexes, enamels, stains, and oils. For interior and exterior use on walls, floors and ceilings in warehouses, manufacturing plants, apartment complexes, schools, churches, and homes. Ideal for covering large areas where airless spraying isn't appropriate.

The paint roller cover is a 1/2" nap, high quality reusable roller. Replacement roller covers are available in a variety of nap sizes.

The telescopic extension allows you to paint high walls and ceilings without a ladder. A twist of the knurled lock nut can give you a full 55" of reach.

## OPERATION

1. When using the R-10 Telescopic Roller with an airless sprayer be sure to use the 1/4" swivel fitting on the In-line gun.
2. Assemble the Roller onto the Telescopic Extension or, where extension is not needed, directly to the In-line gun. See Figure 1. Be sure all connections are tight.

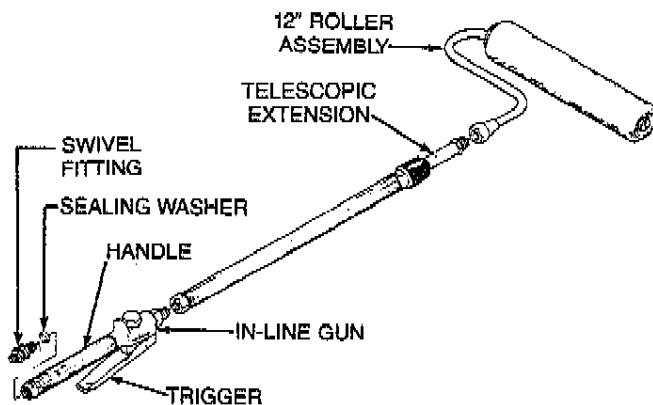


Figure 1. - R-10 Telescopic Roller

3. Attach the paint hose to the swivel fitting on the In-line gun.
4. Prime pump. After priming the unit, turn the pressure down until a steady flow comes out the return tube. Use low pressure only. Close priming valve, pressure should be approximately 50 to 200 psi.
5. Flow to the roller is controlled by occasional triggering of the In-line gun. **Do not use high pressure and do not over saturate the paint roller, this causes dripping and poor rolling.**
6. **To reach higher areas, twist the knurled lock nut clockwise to loosen, pull extension out to desired length and retighten as shown in Figure 2.**

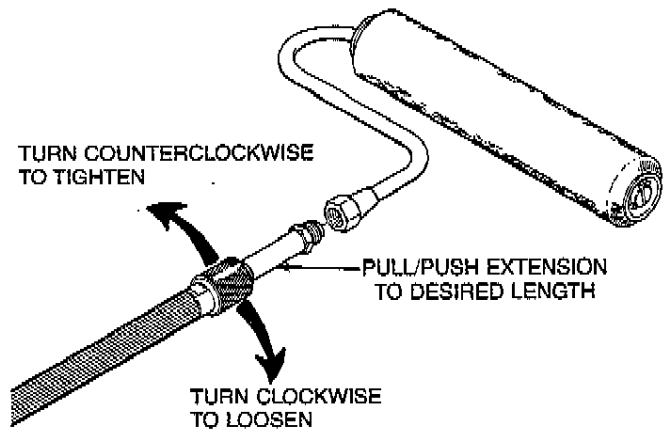


Figure 2. - Telescopic Extension.

7. When collapsing extension, paint may begin to flow out of the paint roller. It is recommended that the roller be rolled against the wall while collapsing extension.

# CLEAN UP

1. Remove Screw (4) and Washer (5).
2. Remove Paint Roller (3) and pull off End Caps (2). Slide out Spacer (6). **NOTE: When Cleaning, avoid immersion in solvents and thinners for more than 10 minutes.**
3. Use hot, soapy water if using latex paint or solvent if using oil base paint to clean the gun assembly, extension assembly, roller frame and paint roller. Make sure all paint is cleaned from holes in Spacer (6) and Roller Frame (1). Clean and dry the paint roller well. Do not allow paint to harden on the fabric.

4. Extend and collapse extension assembly (7) several times while running solvent (or water) through it.
5. After cleaning put a few drops of light oil into end of In-line gun and trigger a few times to distribute the oil over the internal working parts.

PUT A FEW DROPS OF LIGHT OIL INTO END ON IN-LINE GUN AND TRIGGER A FEW TIMES TO DISTRIBUTE.

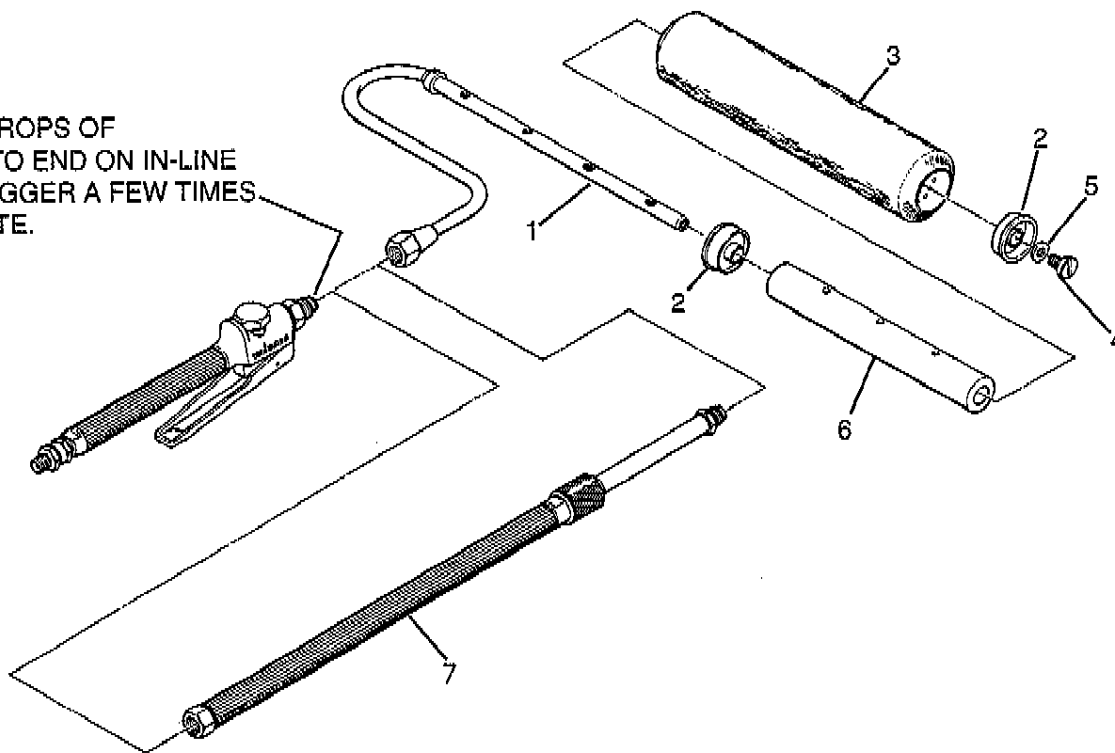


Figure 3. -Disassembly for Cleaning.

# CLEANING GUN ASSEMBLY

1. Remove Cap, (1), O-Ring, (2) and Spring, (3) for thorough cleaning of gun valve mechanism. (See Figure 4).
2. Place a few drops of oil on parts.
3. Assemble in reverse order (See Figure 4).

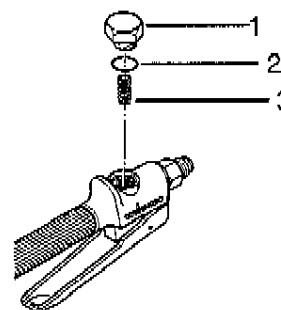


Figure 4. - Gun Valve Assembly

Item	Part No.	Description	QTY.
1	0152352	Cap, 3/4-16	1
2	9871013	O-Ring	1
3	9894204	Spring	1

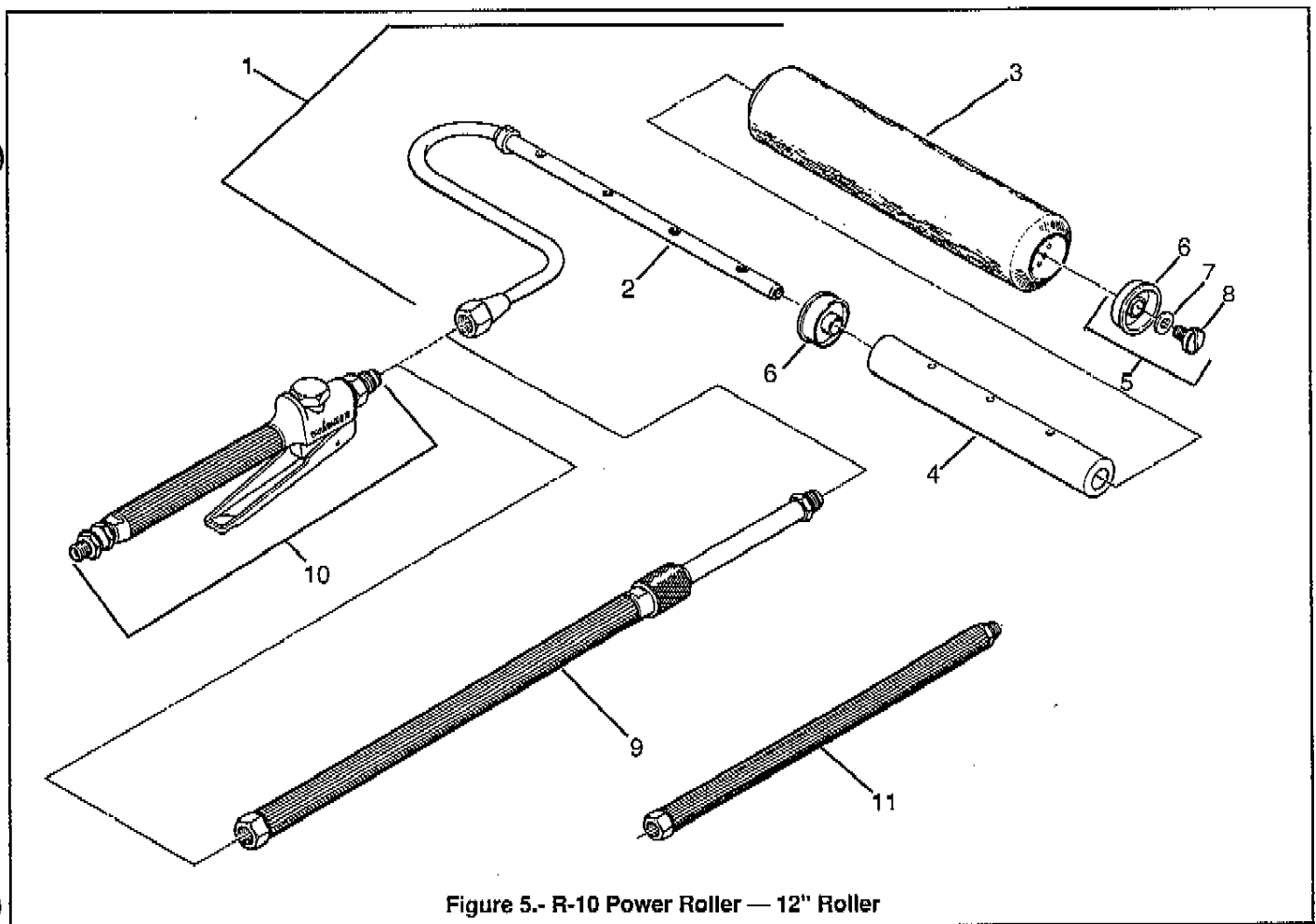


Figure 5.- R-10 Power Roller — 12" Roller

### R-10 Roller with 12" Roller — Figure 5

Item	Part No.	Description	QTY.	Item	Part No.	Description	QTY.
1	0152234	Roller Assembly, 12" (Includes Items 2-8)	1	6	0152348	Endcap, Roller	2
2	0152218	Frame, Roller, Sub Assy, 12"	1	7	9820306	Washer, .75 x .34 x .50	1
3	0152235	Roller Cover, 1/2" Nap x 12"	1	8	9804904	Screw, Pan hd. 3/8-24 x .5 Slot	1
	0152236	Roller Cover, 3/8" Nap x 12"	1	9	0152209	Extension Assembly (See Figure 7)	1
	0152237	Roller Cover, 3/4" Nap x 12"	1	10	0152248	Gun Assembly, R-10 (See Figure 8)	1
	0152238	Roller Cover, 1-1/4" Nap x 12"	1	11	0152251	Extension, 36" Optional	1
4	0152362	Spacer, 12"	1				
5	0152249	Endcap Kit (Includes Items 6, 7, 8)	1				

### R-10 Roller with 9" Roller — Figure 5

Item	Part No.	Description	QTY.	Item	Part No.	Description	QTY.
1	0152229	Roller Assembly, 9" (Includes Items 2-8)	1	3	0152307	Roller Cover, 1/2" Nap x 9"	1
2	0152223	Frame, Roller, Sub Assy, 9"	1		0152308	Roller Cover, 3/8" Nap x 9"	1
					0152309	Roller Cover, 3/4" Nap x 9"	1
					0152310	Roller Cover, 1-1/4" Nap x 9"	1
				4	0152363	Spacer, 9"	1

**NOTE: All other parts are inter changeable with R-10 12" Roller**

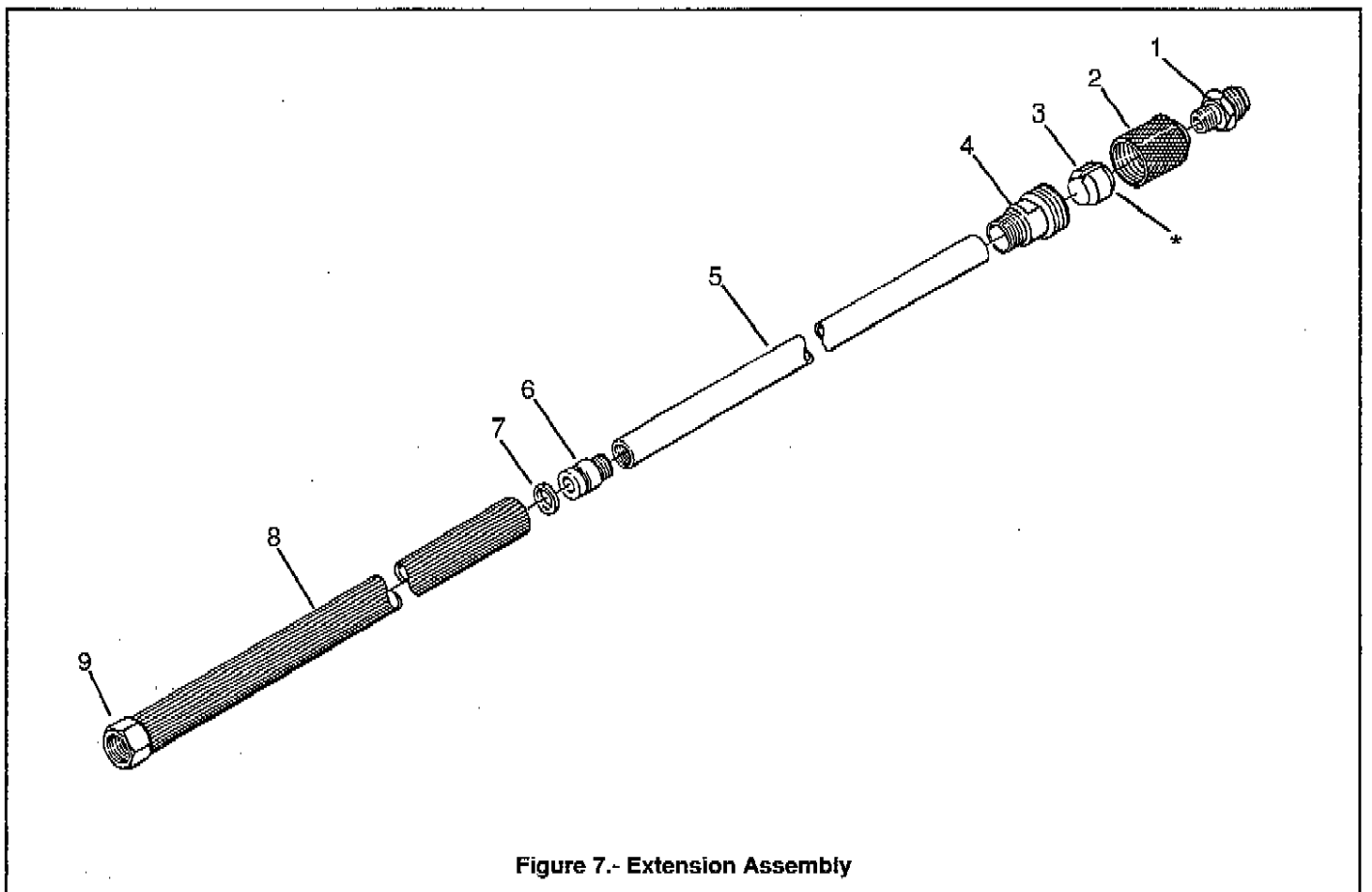


Figure 7.- Extension Assembly

## 0152209 EXTENSION ASSEMBLY — FIGURE 7

Item	Part No.	Description	QTY.	Item	Part No.	Description	QTY.
1	0152356	Fitting, 3/4-18, 9/16-16	1	6	0152334	Fitting, Stop, 9/16-16	1
2	0152335	Fitting, 1-1/4-12	1	7	9870104	Seal, Teflon	1
3	0152329	Fitting, Compression, 1" O.D.	1	8	0152328	Tube, 3/4 x 17	1
4	0152333	Fitting, 7/8-20, 1-1/4-12	1	9	0152332	Fitting, Rear, 7/8-20, 3/4-18	1
5	0152330	Pipe, Machined, 3/8 x 17	1				

### NOTES

1. Apply petroleum jelly on this \* surface only of item 3 (fitting).
2. Loctite 271 applied between items 9 (fitting) and 8 (tube).
3. Loctite 242 applied between items 1 (fitting) and 5 (tube); items 4 (fitting) and 8 (tube); items 5 (tube) and 6 (fitting).
4. Items 1 (fitting) and 6 (fitting) thread into item 5 (tube) and torqued to 6-10 foot pounds.
5. Items 4 (fitting) and 9 (fitting) thread into item 8 (tube) and torqued to 10-14 foot pounds.
6. When replacing item 7 (seal), item 9 (fitting) should not be removed.

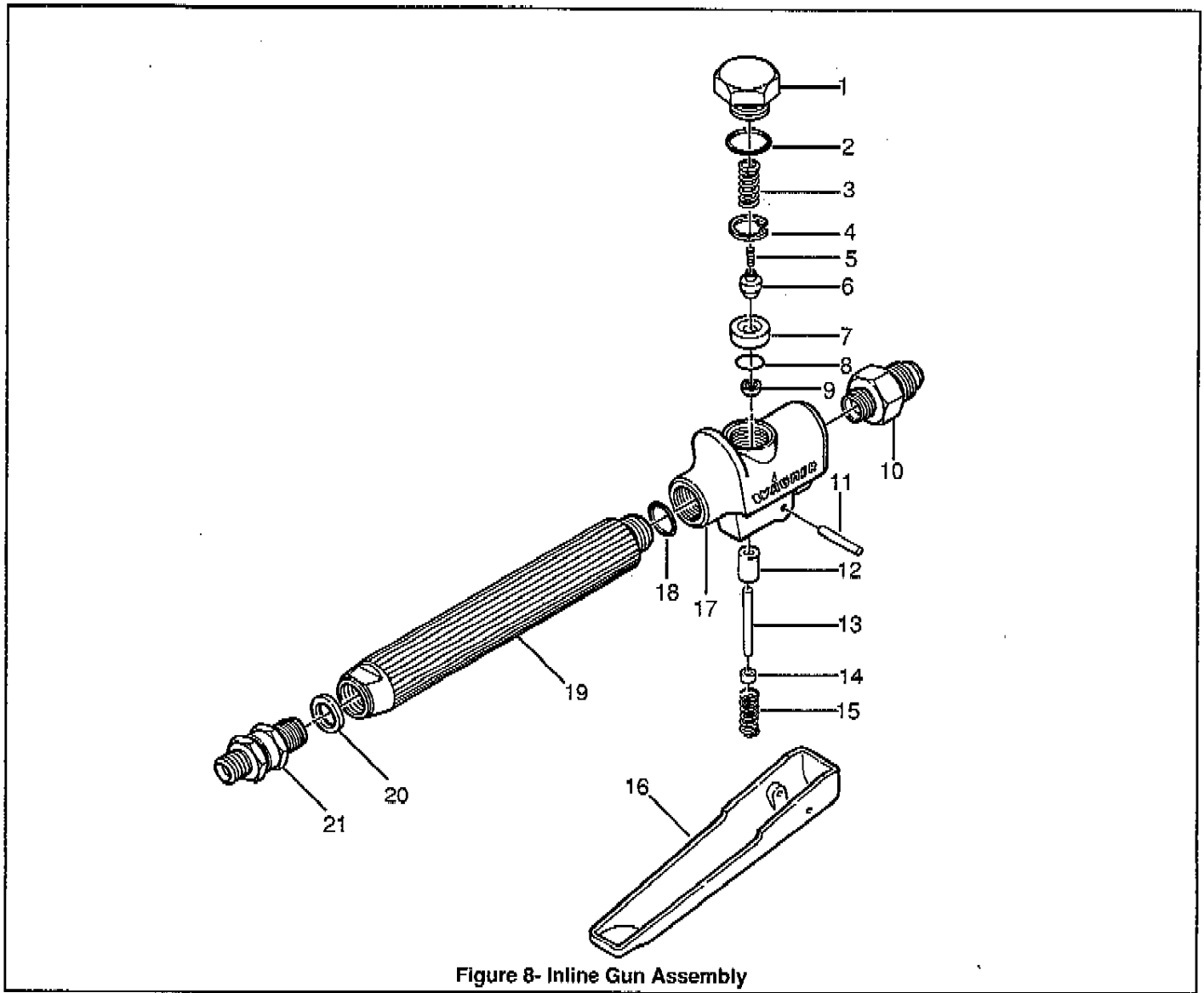


Figure 8- Inline Gun Assembly

### 0152248 INLINE GUN ASSEMBLY— FIGURE 8

Item	Part No.	Description	QTY.	Item	Part No.	Description	QTY.
1	0152352	Screw, Cap, 3/4-16	1	12	0152393	Sleeve, Insert	1
2	9871013	O-Ring	1	13	9830101	Pin Dowel, .134 X 1-1/2	1
3	9894204	Spring	1	14	0152394	Button, Pin	1
4	9822601	Ring, Snap	1	15	0152395	Spring	1
5	9801104	Screw, Set, #4-40 x .25	1	16	0152337	Trigger, Machined	1
6	0152338	Poppet	1	17	0152336	Body, Machined	1
7	0152339	Seat	1	18	0043303	Washer, Sealing, .70 x .52	1
8	9871017	O-Ring, .489 I.D.	1	19	0152331	Housing, Filter	1
9	9870102	Seal	1	20	0043260	Washer, 700 x .547	1
10	0152341	Fitting, 3/4-18, M6 x 1.5	1	21	0043269	Connector, 1/4"	1
11	9830701	Pin, Grooved, .138 x 1	1				

**NOTES:**

- Item 5 (set screw) is adjusted to allow .010 to .30 inches of free play at the end of the trigger , Item 16.
- Loctite RC680 is used between Items 5 (set screw) and 6 (poppet).
- Item 4 (snap ring) is installed with bow side down.
- Items 10 (fitting), 17 (gun body), 19 (housing), and 21 (connector) are torqued to 24-27 foot-pounds after assembly.