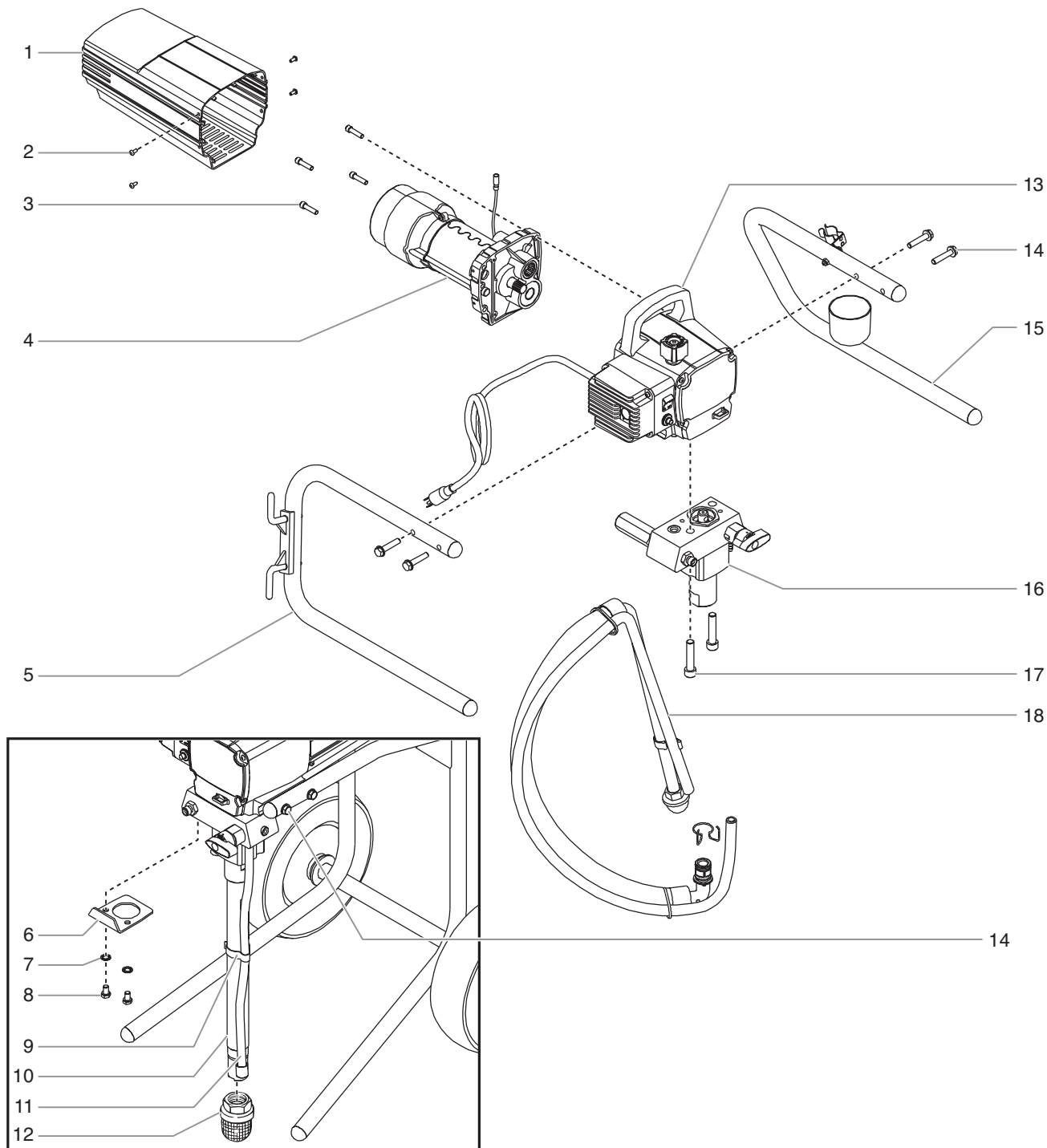


Part List

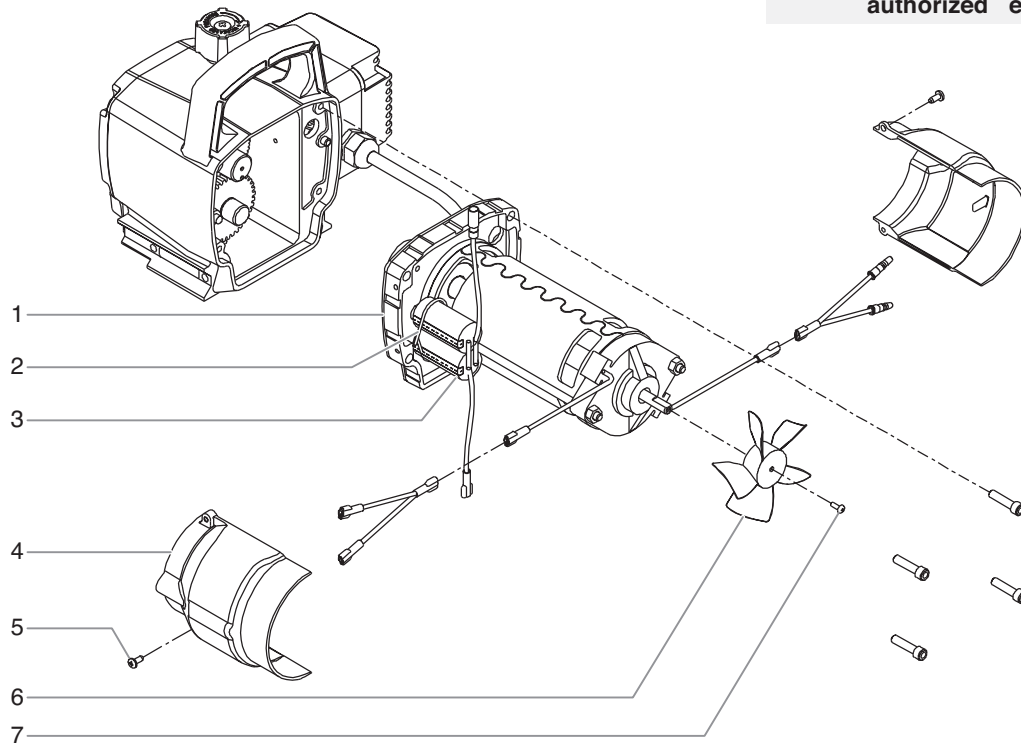
Main Assembly



Item	Part #	Description	Quantity	Item	Part #	Description	Quantity
1	0551517	Motor cover.....	1	13	-----	Gear box assembly.....	1
2	0551440	Screw.....	4	14	0509550	Screw (tand).....	4
3	9800308	Screw.....	4		0509550	Screw (upright cart)	
4	-----	Motor assembly.....	1		0508590	Screw (low boy)	
5	0551526	Left leg assembly (tand only).....	1	15	0551524	Right leg assembly (tand only).....	1
6	0551553	Pail hook (upright cart only)		16	0551529	Fluid action assembly	
7	0508549	Wafer (upright cart only).....	2			(tand and low boy cart).....	1
8	0508550	Screw (upright cart only).....	2		0551549	Fluid action assembly (upright cart)	
9	0507783	Ho e clip (upright cart only).....	1	17	0508553	Screw.....	2
10	0508552	Siphon tube (upright cart only).....	1	18	0551104	Suction set assembly	
11	0551556	Return hose (upright cart only).....	1			(tand and low boy cart).....	1
12	5006536	Inlet screen (upright cart only).....	1	19	9890212	Return hose clamp (not shown).....	1

Motor A embly

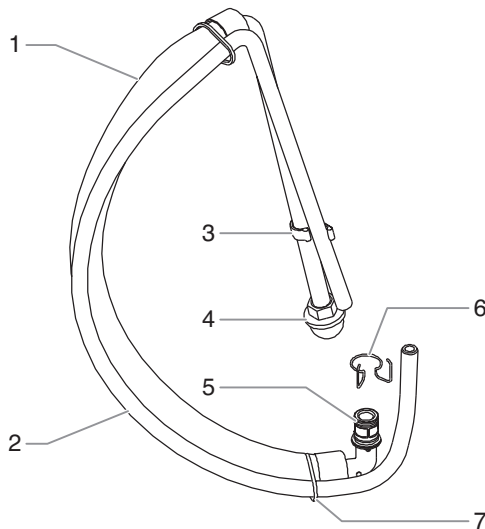
NOTE: All electrical work hould be performed by a SprayTECH authorized ervice center.



Item	Part #	De cription	Quantity
1	0551540	Motor a embly (include item 2-7 and item 25, 29, and 30 in the Gear Box A embly part li t)	1
2	0551543	Tie wrap	2
3	0551514	Capacitor	1

Item	Part #	De cription	Quantity
4	0508646	Fan hroud	2
5	9802891	Screw	2
6	0508648	Fan	1
7	9804916	Fan crew	1
8	0508653	Double- ided tape (not hown)	1
		0508645 Motor Bru h Kit	

Suction Set A embly (P/N 0551104)

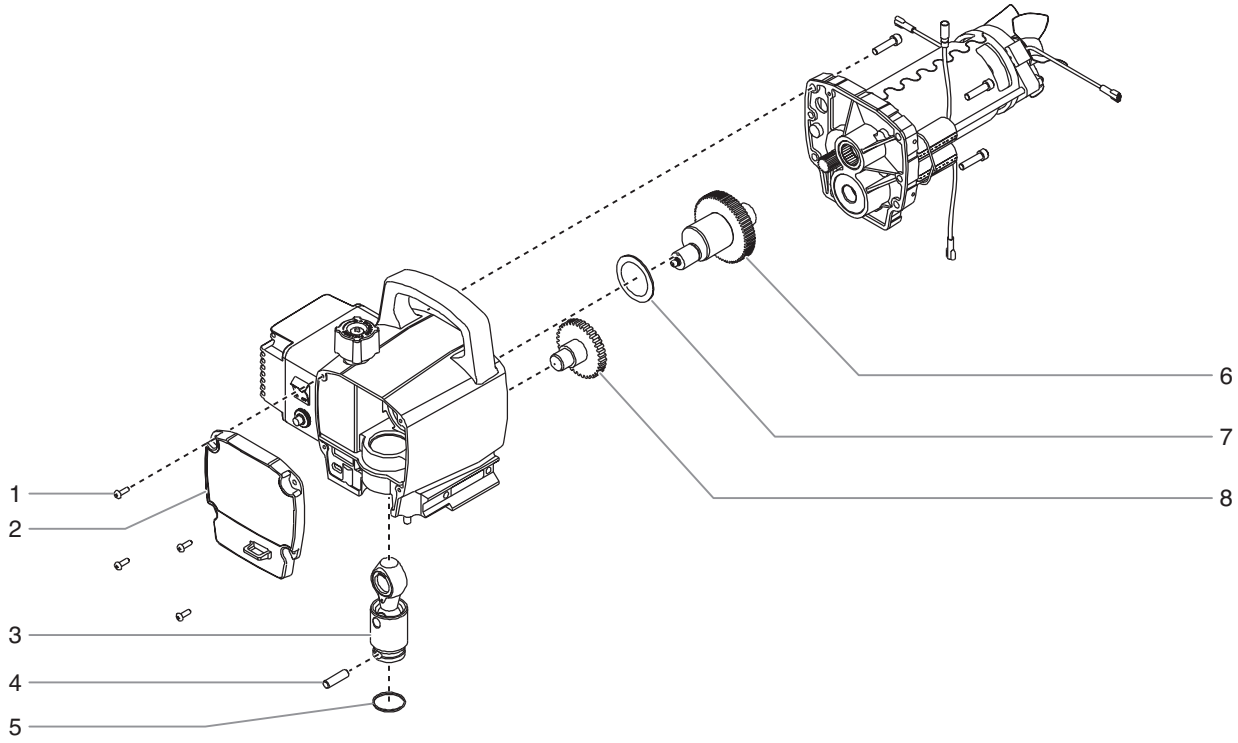


Item	Part #	De cription	Quantity
1	0551437	Siphon tube a embly	1
2	0551439	Return hose	1
3	0279459	Hose clip	1
4	0295565	Inlet creen	1
5	9871105	O-ring	2
6	9822526	Retaining ring	1
7	9850638	Tie wrap	2

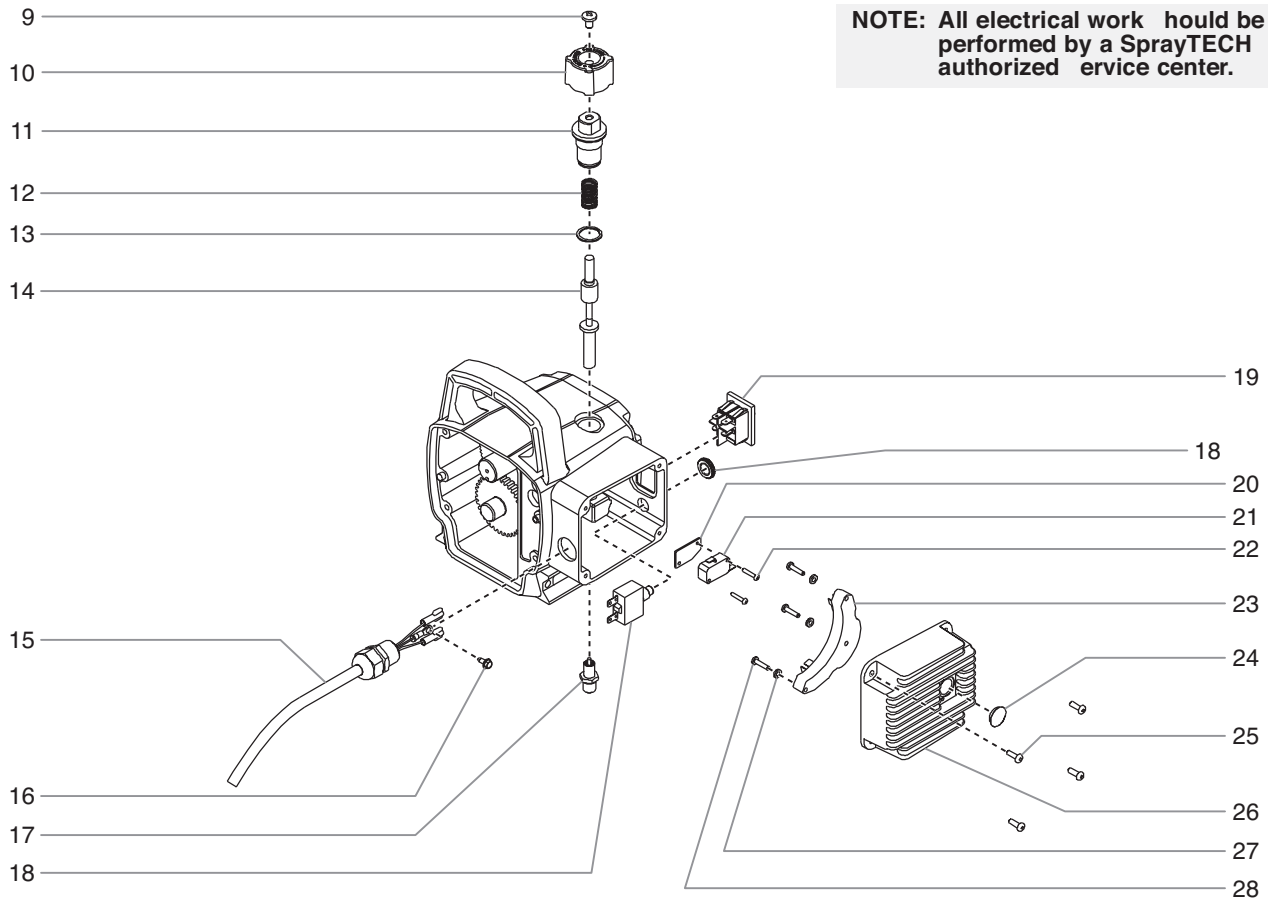
Label

Part #	De cription
0551444	Logo label, front
0551456	Logo label, left
0551464	Logo label, right
0551485	Warning label, explo ion/injection
0295805	Shock hazard label
0508330	PRIME/SPRAY knob label
0507856	PRIME/SPRAY label

Gear Box A emby



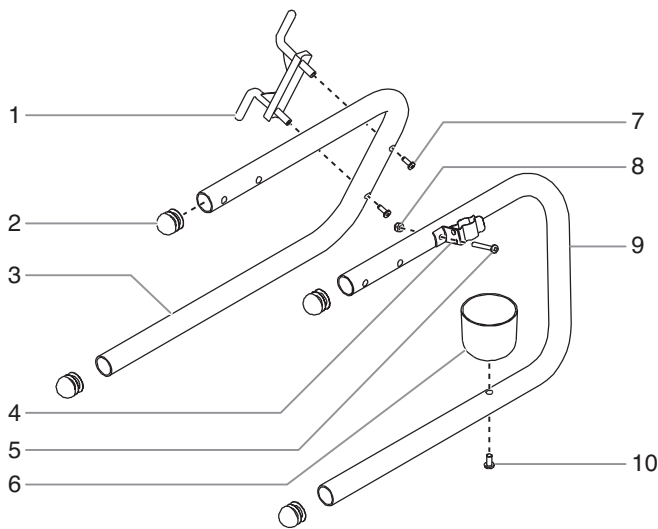
NOTE: All electrical work should be performed by a SprayTECH authorized service center.



Item	Part #	De cription	Quantity
1	0509218	Screw.....	4
2	0551518	Front cover.....	1
3	0551541	Slider a embly.....	1
4	0507777	Connecting pin.....	1
5	0507768	Retaining ring.....	1
6	0508572	Crank haft/gear a embly.....	1
7	0508573	Thru t wa her.....	1
8	0509121	Second tage gear.....	1
9	0509219	Screw.....	1
10	0551513	Pre ure control knob.....	1
11	0551522	Knob hou ing.....	1
12	02712	Knob pring.....	1
13	9822522	Wa her.....	1
14	0551521	Plunger.....	1
15	0551516	Power cord a embly (tand).....	1
	0551432	Power cord a embly (low boy and upright cart)	

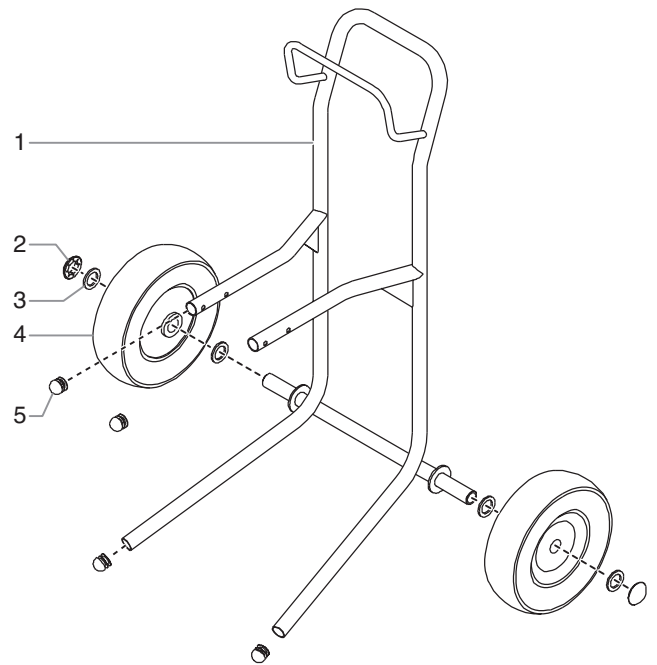
Item	Part #	De cription	Quantity
16	9800340	Ground crew.....	1
17	0551112	Tran ducer a embly (include o-ring).....	1
18	0551515	Circuit breaker.....	1
19	9850936	ON/OFF witch.....	1
20	03662	Micro witch in ulator.....	1
21	0295490	Micro witch.....	1
22	9800604	Screw.....	2
23	0295451	Relay, 120V.....	1
24	0507751	Port plug.....	1
25	0509218	Screw.....	4
26	0551523	Heat ink a embly (include item 24 and 25).....	1
27	0551499	Flat wa her.....	3
28	0551495	Screw.....	3
	0551520	Mechanical control a embly (include item 11-14)	

Stand A embly



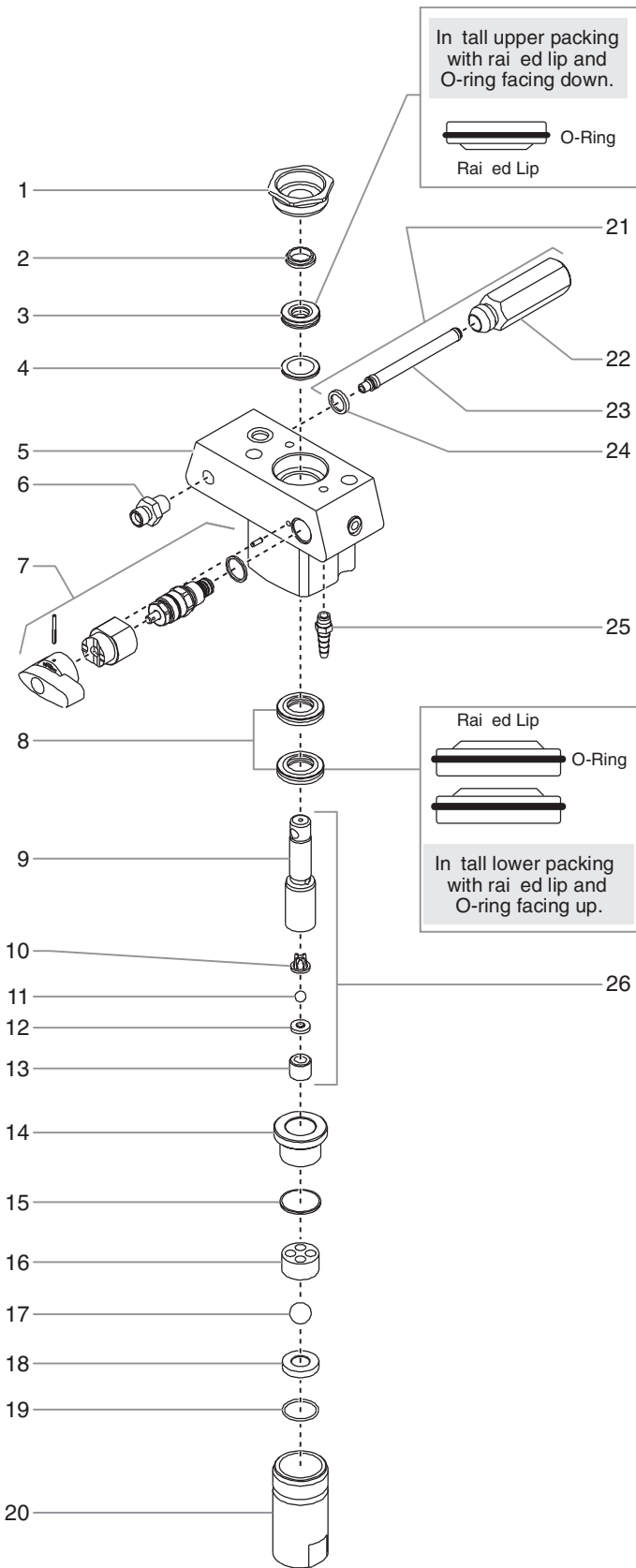
Item	Part #	De cription	Quantity
1	0508377	Cord wrap.....	1
2	0551525	Plug.....	4
3	0551526	Left leg a embly (include item 1, 2, and 7).....	1
4	0551483	Clip a embly.....	1
5	0551484	Screw.....	1
6	0508381	Drip cup.....	1
7	0551527	Screw.....	2
8	0509856	Nut.....	1
9	0551524	Right leg a embly (include item 2, 4, 5, 6, 8, and 10)	1
10	0507955	Screw.....	1

Upright Cart A embly (P/N 0551110)



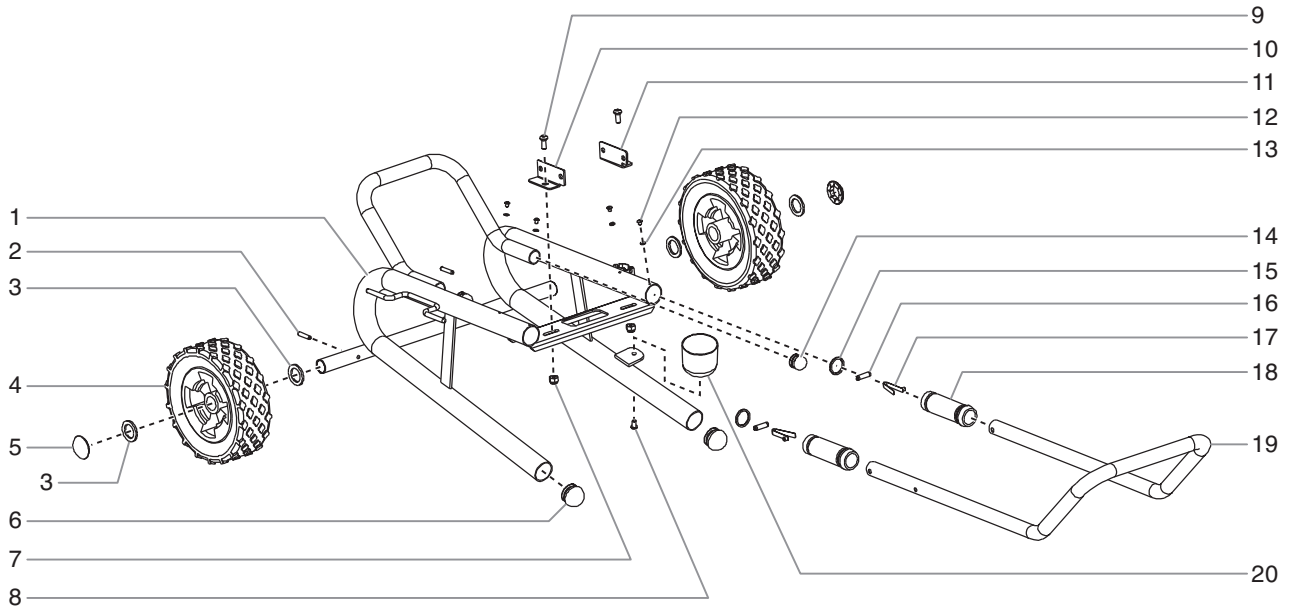
Item	Part #	De cription	Quantity
1	0551660	Cart weldment (include item 5).....	1
2	9890104	Cap.....	2
3	0294534	Spacer.....	4
4	0278373	Wheel.....	2
5	0551525	Plug.....	4

Fluid Section A Assembly
(Stand and Low Boy Cart P/N 0551529)
(Upright Cart P/N 0551549)



Item	Part #	Description	Quantity
1	0508664	Retainer nut	1
2	0508665	Piston guide	1
3	0551538	Upper packing assembly	1
4	0551535	Spacer	1
5	0551531	Pump manifold	1
6	0509873	Outlet fitting, 1/4"	1
7	0507690	PRIME/SPRAY valve assembly	1
8	0551539	Lower packing assembly	2
9	0551537	Piston rod	1
10	0295307	Outlet valve cage	1
11	50164	Outlet valve ball	1
12	13359	Outlet valve seat	1
13	13481	Outlet valve retainer	1
14	0508676	Piston bushing	1
15	0508739	Nylon washer	1
16	0508677	Inlet valve cage	1
17	0508678	Inlet valve ball	1
18	0551534	Inlet valve seat	1
19	0509582	O-ring, Teflon	1
20	0508680	Inlet valve housing (stand and low boy cart) ..	1
	0508690	Inlet valve housing (upright cart)	
21	0551532	Filter assembly (include item 22-24)	1
22	0508752	Filter housing	1
23	0296288	Filter	1
24	0508740	Filter seal	1
25	0551530	Return hose fitting, 1/8"	1
26	0551536	Piston assembly (include item 9-13)	1
	0551533	Repacking kit (include item 2-4, 8, 10-11, 15, 17, and 19)	
	0551509	Lower seal insertion tool	

Low Boy Cart A Assembly (P/N 0551547)



Item	Part #	Description	Quantity	Item	Part #	Description	Quantity
1	0551608	Cart weldment (include item 6 and 14)...	1	12	0295608	Screw.....	4
2	0507956	Roll pin.....	2	13	0295606	Washer.....	4
3	0294534	Wheel spacer.....	4	14	0551525	Plug.....	2
4	0270394	Wheel.....	2	15	0295609	Handle washer.....	2
5	9890104	Cap.....	2	16	0295610	Roll pin.....	2
6	0551548	Plug.....	2	17	9841504	Snap button.....	2
7	0295615	Lock nut.....	2	18	0295607	Sleeve.....	2
8	0507955	Screw.....	1	19	0551609	Handle assembly (include item 12, 13, and 15-18).....	1
9	0295618	Screw.....	2	20	0508381	Drip cup.....	1
10	0551551	Mounting bracket, left.....	1				
11	0551552	Mounting bracket, right.....	1				

Electrical Schematic

NOTE: All electrical work should be performed by a SprayTECH authorized service center.

