

# MAINTENANCE

## DAILY MAINTENANCE

The only daily maintenance necessary is thorough cleaning. Follow the cleaning procedures in this manual.

## EXTENDED MAINTENANCE

Some pump parts eventually wear out from use and must be

replaced. The following is a list of available repair kits. Pump performance is the only reliable indicator of when to replace wear parts. Refer to the Troubleshooting section for more information on when to use these kits.

Kit Part #	Description
0515221	Inlet valve seal kit
0515205	Outlet valve kit

# TROUBLESHOOTING



**Before servicing, always release system pressure by following PRESSURE RELIEF PROCEDURE (page 5).**

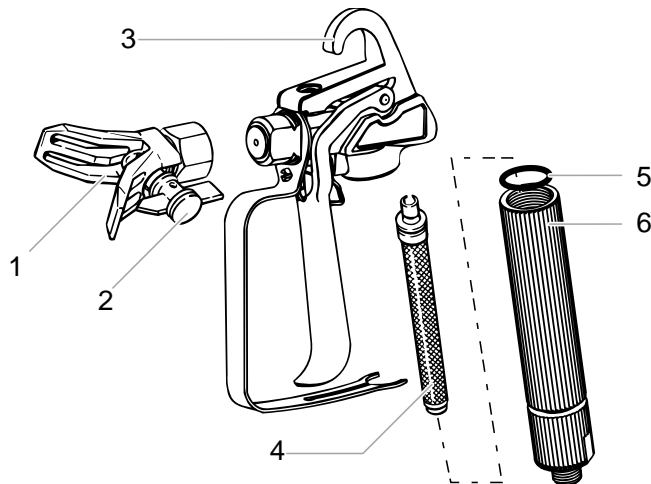
PROBLEM	CAUSE	SOLUTION
A. The sprayer does not start.	<ol style="list-style-type: none"> <li>The sprayer is not plugged in.</li> <li>The ON/OFF switch is set to OFF.</li> <li>The sprayer shuts off while still under pressure.</li> <li>No voltage is coming from the wall plug.</li> <li>The extension cord is damaged or has too low a capacity.</li> <li>There is a problem with the motor.</li> </ol>	<ol style="list-style-type: none"> <li>Plug the sprayer in.</li> <li>Turn the ON/OFF switch to ON.</li> <li>Motor will cycle ON and OFF while spraying as it needs pressure. This is normal. Resume painting.</li> <li>Properly test the power supply voltage.</li> <li>Replace the extension cord.</li> <li>Take sprayer to Wagner Authorized Service Center.</li> </ol>
B. The sprayer starts but does not draw in paint when the PRIME/SPRAY knob is set to PRIME.	<ol style="list-style-type: none"> <li>The unit will not prime properly or has lost prime.</li> <li>The hopper is empty.</li> <li>The unit is not on level ground.</li> <li>The inlet filter is clogged.</li> <li>The inlet or outlet valve is stuck.</li> <li>The inlet valve is worn or damaged.</li> <li>The PRIME/SPRAY valve is plugged.</li> </ol>	<ol style="list-style-type: none"> <li>Try to prime the unit again.</li> <li>Refill the hopper.</li> <li>Relocate unit to level ground.</li> <li>Clean the inlet filter.</li> <li>Clean the inlet and outlet valves and replace any worn parts.* Inlet may be stuck from old paint. Push inlet filter tab to release.</li> <li>Replace the inlet valve.*</li> <li>Take sprayer to Wagner Authorized Service Center.</li> </ol>
C. The sprayer draws up paint but the pressure drops when the gun is triggered.	<ol style="list-style-type: none"> <li>The spray tip is worn.</li> <li>The inlet filter is clogged.</li> <li>The gun or spray tip filter is plugged.</li> <li>The paint is too heavy or coarse.</li> <li>The outlet valve assembly is dirty or worn.</li> <li>The inlet valve assembly is damaged or worn.</li> </ol>	<ol style="list-style-type: none"> <li>Replace the spray tip with a new tip.**</li> <li>Clean the inlet filter.</li> <li>Clean or replace the proper filter. Always keep extra filters on hand.</li> <li>Thin or strain the paint.</li> <li>Clean or replace the outlet valve assembly.*</li> <li>Replace the inlet valve.*</li> </ol>
D. The PRIME/SPRAY valve is on SPRAY and there is flow through the return tube.	<ol style="list-style-type: none"> <li>The PRIME/SPRAY valve is dirty or worn.</li> </ol>	<ol style="list-style-type: none"> <li>Take sprayer to Wagner Authorized Service Center.</li> </ol>
E. The spray gun leaks.	<ol style="list-style-type: none"> <li>Internal parts of the gun are worn or dirty.</li> </ol>	<ol style="list-style-type: none"> <li>Take the sprayer to a Wagner Authorized Service Center.</li> </ol>
F. The tip assembly leaks.	<ol style="list-style-type: none"> <li>The tip was assembled incorrectly.</li> <li>A seal is worn.</li> </ol>	<ol style="list-style-type: none"> <li>Check the tip assembly and assemble properly.</li> <li>Replace the seal.*</li> </ol>
G. The spray gun will not spray.	<ol style="list-style-type: none"> <li>The spray tip or the gun filter is plugged.</li> <li>The spray tip is in the CLEAN position.</li> <li>PRIME/SPRAY knob not set on SPRAY.</li> </ol>	<ol style="list-style-type: none"> <li>Clean the spray tip or gun filter. Review <b>Unclogging the Spray Tip</b>.</li> <li>Put the tip in the SPRAY position.</li> <li>Turn the PRIME/SPRAY knob to SPRAY.</li> </ol>
H. The paint pattern is tailing.	<ol style="list-style-type: none"> <li>The gun, the tip, or the inlet filter is plugged.</li> <li>The tip is worn.</li> <li>The paint is too thick.</li> <li>Pressure loss.</li> </ol>	<ol style="list-style-type: none"> <li>Clean the filters and strain the paint.</li> <li>Replace the spray tip.</li> <li>Thin the paint.</li> <li>Refer to Causes and Solutions for problem C.</li> </ol>

\* Special repair kits with instructions are available for these procedures. Refer to the **Maintenance (page 12)** section of this manual for a list of the kits and their part numbers.

\*\* Additional parts are available for this procedure. Refer to the **Accessories (page 37)** section of this manual for a list of the parts and their part numbers.

# PARTS LIST • LISTE DE PIÈCES • LISTA DE PIEZAS

## SPRAY GUN • PISTOLET • PISTOLA



### English

Item	Part #	Description	Quantity
1	0501011	Guard Assembly .....	1
2	0501413	Tip*, 413.....	1
3	0515229	Complete gun assembly .....	1
4	0154675	Filter, 100 mesh (yellow).....	2
5	0515228	Seal.....	1
6	0515227	Filter housing .....	1

\* See Accessories section

### Français

Article	N° de pièce	Description	Quantité
1	0501011	Protège-embout et ses composants .1	1
2	0501413	Embout*, 413 .....	1
3	0515229	Pistolet et ses composants .....	1
4	0154675	Filtre, maille 100 (jaune) .....	2
5	0515228	Joint d'étanchéité .....	1
6	0515227	Logement de filtre .....	1

\* Se reporter à la liste d'ACCESSOIRES

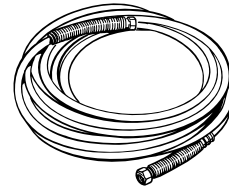
### Español

Artículo	Pieza#	Descripción	Cantidad
1	0501011	Ensamble de protección .....	1
2	0501413	Boquilla*, 413.....	1
3	0515229	Ensamble de la pistola.....	1
4	0154675	Filtro, malla 100 (amarillo) .....	2
5	0515228	Sello .....	1
6	0515227	Alojamiento de filtro .....	1

\* Consulte el listado en **ACCESORIOS**

## SPRAY HOSE • FLEXIBLE DE PULVÉRISATION •

### MANGUERA DEL ROCIADOR



### English

Part Number	Description
0270192	1/4" X 25' spray hose

### Français

N° de pièce	Description
0270192	1/4" X 25' flexible de pulvérisation

### Español

Pieza#	Descripción
0270192	1/4" X 25' manguera del rociador

## ACCESSORIES • ACCESSOIRES • ACCESORIOS

### English

Part #	Description
0154908	Separating Oil
0512130W	Tip Extension, 12"
0512131W	Tip Extension, 24"
0512134W	180 Degree Swivel
0501411	411 Trade Spray Tip
0501413	413 Trade Spray Tip
0093930	Anti-Seize Compound
0154675	Yellow Gun Filter
0279109	Pump Saver Plus Protector

**These accessories are also compatible with SprayTech Apex Series sprayers.**

### Français

N° de pièce	Description
0154908	Huile séparatrice
0512130W	Rallonge d'embout, 30,5 cm
0512131W	Rallonge d'embout, 61,0 cm
0512134W	Pivot de 180°
0501411	Embout de pulvérisation, 411
0501413	Embout de pulvérisation, 413
0093930	Composé antigrippage
0154675	Filtre de pistolet jaune
0279109	Lubrifiant Pump Saver Plus Protector

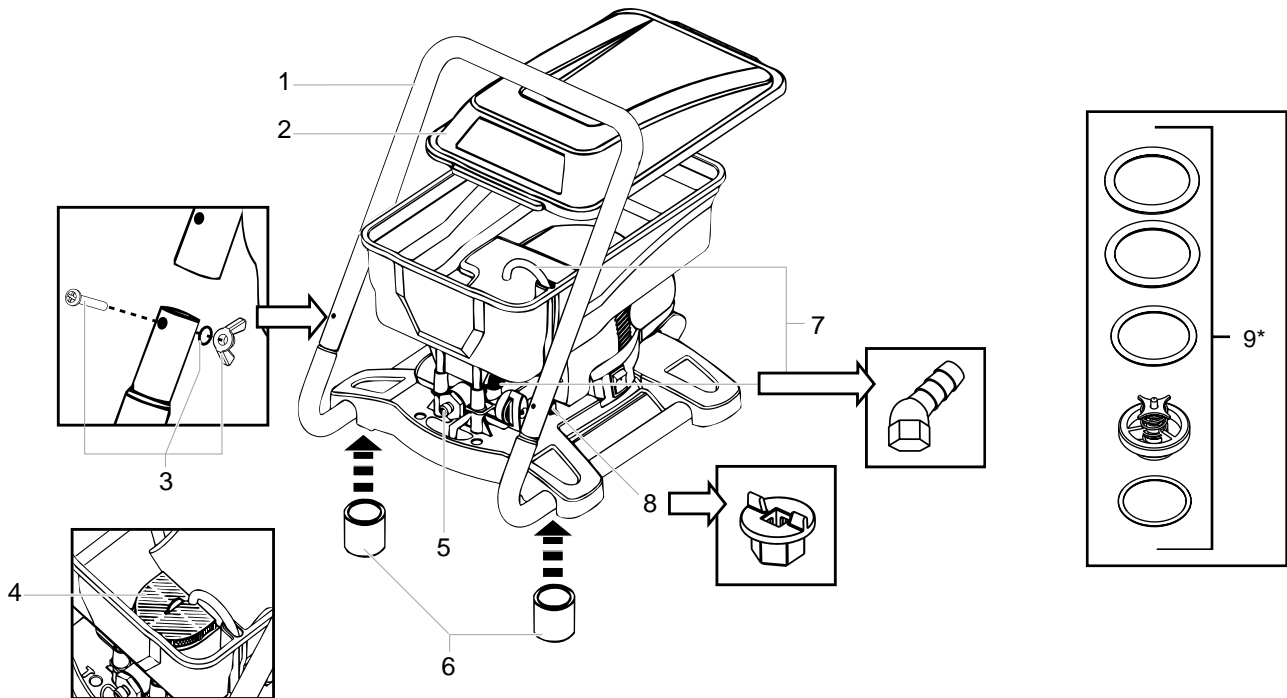
**Ces accessoires sont aussi compatibles avec les pulvérisateurs de SprayTech Apex Series.**

### Español

Pieza#	Descripción
0154908	Lubricante de empaques
0512130W	Extensión de la boquilla, 12"
0512131W	Extensión de la boquilla, 24"
0512134W	Oscilador de 180 grados
0501411	Boquilla rociadora 411
0512501	Boquilla rociadora 413
0093930	Compuesto antiatascos
0154675	Filtro de pistola amarillo
0279109	Protector Pump Saver Plus (lubricante)

**Estos accesorios son también compatibles con rociadoras de SprayTech Apex Series.**

# PARTS LIST • LISTE DE PIÈCES • LISTA DE PIEZAS



## SPRAYER • PULVÉRISATEUR • ROCIADOR

### English

Item	Part #	Description	Quantity
1	0515297	Handle, upper .....	1
2	0515311	Hopper lid.....	1
3	0515225	Bolt, washer, and wing nut kit.....	1
4	0515314	Inlet filter .....	1
5	0515205	Outlet valve.....	1
6	0515372	Feet.....	4
7	0515226	Return tube/fitting .....	1
8	0515370	Inlet valve tool.....	1
9*	0515221	Inlet valve seal kit .....	1

\* Replacement parts available by calling customer service.

### Español

Artículo	Pieza#	Descripción	Cantidad
1	0515297	Mango .....	1
2	0515311	Tapa del recipiente.....	1
3	0515225	Juego de perno, rondana, y tuerca .....	1
4	0515314	Filtro de entrada.....	1
5	0515205	Válvula de salida.....	1
6	0515372	Soportes .....	4
7	0515226	Tubo de retorno/conector.....	1
8	0515370	Herramienta de válvula de entrada...	1
9*	0515221	Juego de sellos para la válvula de entrada	1

\* Los repuestos están disponibles llamando al servicio a clientes.

### Français

Article	N° de pièce	Description	Quantité
1	0515297	Manchon .....	1
2	0515311	Couvercle de trémie.....	1
3	0515225	Trousse de boulon, rondelle, et écrou.....	1
4	0515314	Filtre d'entrée .....	1
5	0515205	Soupape de sortie.....	1
6	0515372	Pieds .....	4
7	0515226	Tube de retour/raccord.....	1
8	0515370	Outil de soupape d'entrée.....	1
9*	0515221	Kit de joint de soupape d'entrée .....	1

\* On peut obtenir des pièces de rechange en appelant le Service à la clientèle.