



DESIGNER MANUAL SCREEN

SPECIFICATION DATA

DA-LITE SCREEN COMPANY, INC.
 3100 North Detroit Street
 Post Office Box 137
 Warsaw, Indiana 46581-0137
 Phone: 574-267-8101
 800-622-3737
 Fax: 574-267-7804
 Toll Free Fax: 877-325-4832
 www.da-lite.com
 e-mail: info@da-lite.com

SUGGESTED SPECIFICATIONS: _____ projection screen(s), _____ (H) x _____ (W), wall or ceiling mounting type. Screen fabric to be seamless flame retardant and mildew resistant fiberglass with black masking borders standard. Bottom of fabric shall be mounted securely into a powder coated tubular steel slat. Ends of slat shall be protected by plastic outer caps. Steel slat pull shall be attached to slat with screws. Fabric shall be mounted into a metal strip in a metal Camlok® roller system without tape, glue, staples or cords so that the fabric may be easily replaced yet cannot be pulled from the roller. Case to be plywood and/or hardwood depending on style. Finished in veneer on all facing sides and painted on nonfacing sides. Sturdy mounting brackets installed for wall or ceiling installation. A 36" pull cord with plastic knob is included.

Matte White: Surfaces will be seamless.

High Power®: Horizontal seam required when both dimensions exceed 6'.

VIDEO (NTSC 4:3) FORMAT DIMENSIONS

Viewing Area		Nominal Diagonal		A - Overall Length of Case		B - Between Hanger Eyes		Approx. Ship. Wt.	
H x W	Cm	In.	Cm	In.	Cm	In.	Cm	Lbs.	Kg
50" x 67"	127 x 170	84"	213	77"	196	70"	178	29	13.2
60" x 80"	152 x 203	100"	254	91"	231	84"	213	32	14.5
69" x 92"	175 x 234	120"	305	103"	262	96"	244	39	17.7

SQUARE FORMAT DIMENSIONS

Sizes		A - Overall Length of Case		B - Between Hanger Eyes		Approx. Ship. Wt.	
H x W	Cm	In.	Cm	In.	Cm	Lbs.	Kg
70" x 70"	178 x 178	77"	196	70"	178	29	13.2
84" x 84"	213 x 213	91"	231	84"	213	32	14.5
96" x 96"	244 x 244	103"	262	96"	244	39	17.7

Specifications subject to change without notice.
 Overall case length dimensions ±1/4".
 Custom formats and sizes available upon request.

PLEASE MARK APPROPRIATE SELECTIONS:

Select size from chart above:

Select viewing surface:

- Matte White
- High Power®
- Greenguard® and Greenguard® Children and Schools Certified.

Options:

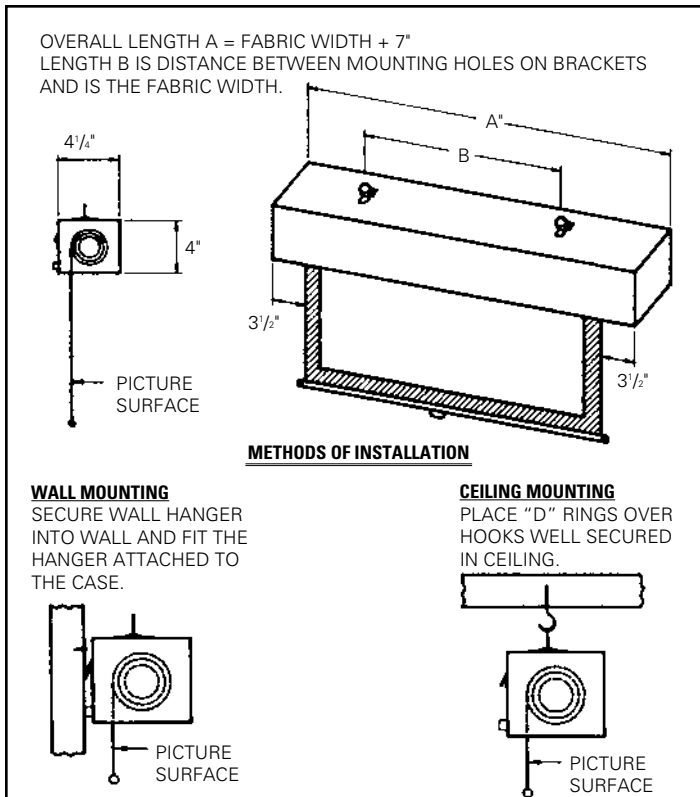
- No borders (Black masking borders standard.)
- Pull Rod - 38".

Style:

- Concord
- Lexington
- Hamilton

Finish:

- Veneer
- Cherry
- Light Oak
- Medium Oak
- Mahogany
- Natural Walnut
- Heritage Walnut
- Honey Maple
- Custom



Project: _____

Architect: _____

Phone: _____

Contractor: _____

Phone: _____

Supervisor: _____

Phone: _____

Date: _____

Revised: _____