

INSTALLATION INSTRUCTIONS

100 DEGREE ANGLED CEILING PLATE WITH THREADED COUPLER

CMA-395 

The 100° Angled Ceiling Plate is designed for ease of installation with any height of ceiling. By using any length of standard NPT 1½" pipe threaded both ends, you can extend the height capabilities to meet your needs.

WARNING: IMPROPER INSTALLATION MAY RESULT IN SERIOUS PERSONAL INJURY!

When mounting Chief Manufacturing accessories, the structural system and mounting method **MUST** be capable of supporting 5 times the combined weight of the total installation. The maximum weight to be installed on the ceiling plate is 500 pounds (226.8 Kg).

Unpack and check contents:

- | | |
|-------------------------------------|--------------------------------------|
| (1) Cathedral Ceiling Plate CMA-395 | (1) Coupler Assembly |
| (1) 5/16"-18 X 3/8" Set Screw | (1) ½"-13 X 4" Hex Head Bolt |
| (1) ½"-13 Nylock Nut | (2) 3/8"-16 X 5/8" Hex Machine Screw |
| (2) 7/8" Washer | (1) 5/32" Hex Key |

INSTALLATION INSTRUCTIONS

1. Set coupler in place in the center of ceiling plate and slide ½"-13 X 4" hex head bolt through both parts (see Figure 1). Secure using ½"-13 Nylock nut.
2. Install two 3/8"-16 X 5/8" hex machine screws, with ¾" washers, through adjusting slots on either side of bracket into holes in the coupler assembly (see Figure 1). Do not tighten.
3. Adjust coupler to desired angle and tighten two 3/8"-16 X 5/8" hex machine screws.
4. Install extension pipe in coupler and secure using the 5/16"-18 X 3/8" set screw (see Figure 2).

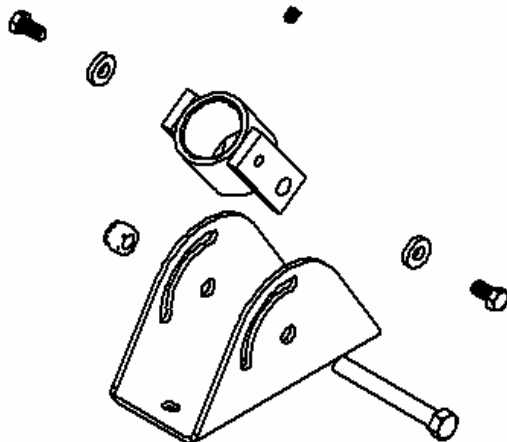


Figure 1. Assembly

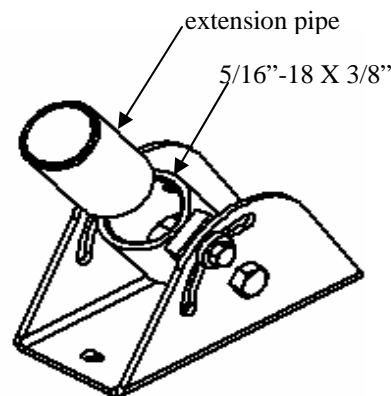


Figure 2. Assembly



CHIEF MANUFACTURING INC.
1-800-582-6480 952-894-6280 FAX 952-894-6918
12800 HIGHWAY 13 SOUTH, SUITE 500
SAVAGE, MINNESOTA 55378 USA

8803-000031
2003 Chief Manufacturing
www.chiefmfg.com
12/04