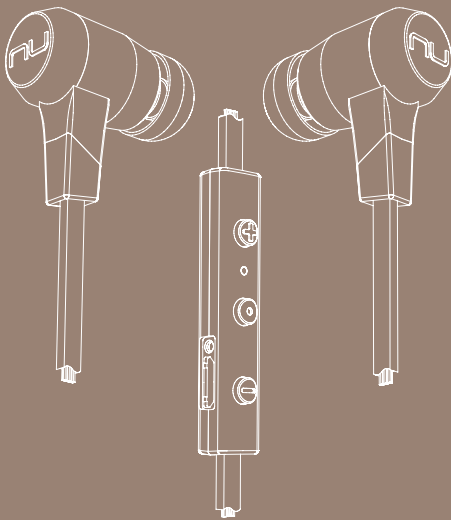


NU FORCE

# BE6

Bluetooth in-ear headphone



# Contents

## WHAT'S IN THE BOX

## BE6 EARPHONES

## THE BASICS

Charging Your BE6

Checking Battery Level

Bluetooth Pairing

Power On/ Power Off

Wearing Your BE6

Handling Phone Calls

Listening to Music

Pairing with a Laptop

Pairing with a Mac

## MISCELLANEOUS

Multipoint Connections

Restoring Factory Settings

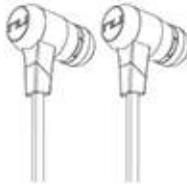








Voice Prompts List

Disclaimer

FCC Interference Statement

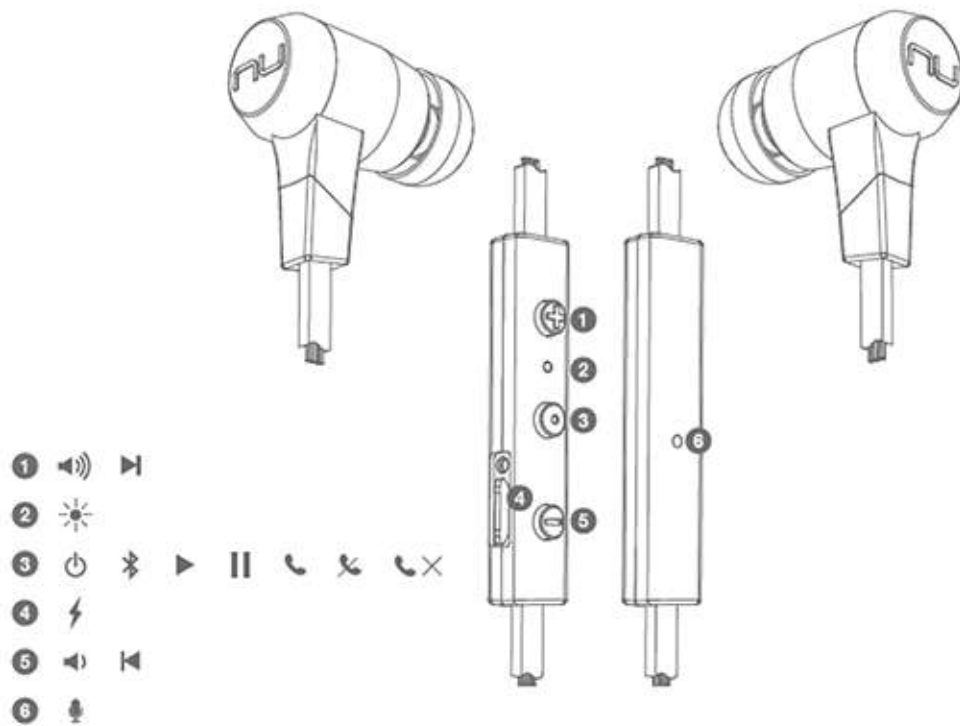
Specification

# WHAT'S IN THE BOX

<p>BE6 earphones (with inline controller and microphone)</p>	
<p>Silicon tips (Silicon 4 pairs in L/M/S/XS)</p>	
<p>Comply tips (two pairs in L/M)*</p>	
<p>Stabilizers (1 pair)</p>	
<p>Cable loop for adjusting the length of cable</p>	
<p>Carry Case</p>	
<p>Charging Cable (Micro-USB)</p>	
<p>Quick Start Guide</p>	
<p>Safety Instruction</p>	

\*You are able to purchase replacement Comply™ Foam tips through [www.complyfoam.com](http://www.complyfoam.com) .

# BE6 EARPHONES



1. Volume Up Button
2. LED Indicator
3. Power/Function Button
4. Charging port
5. Volume Down Button
6. Microphone

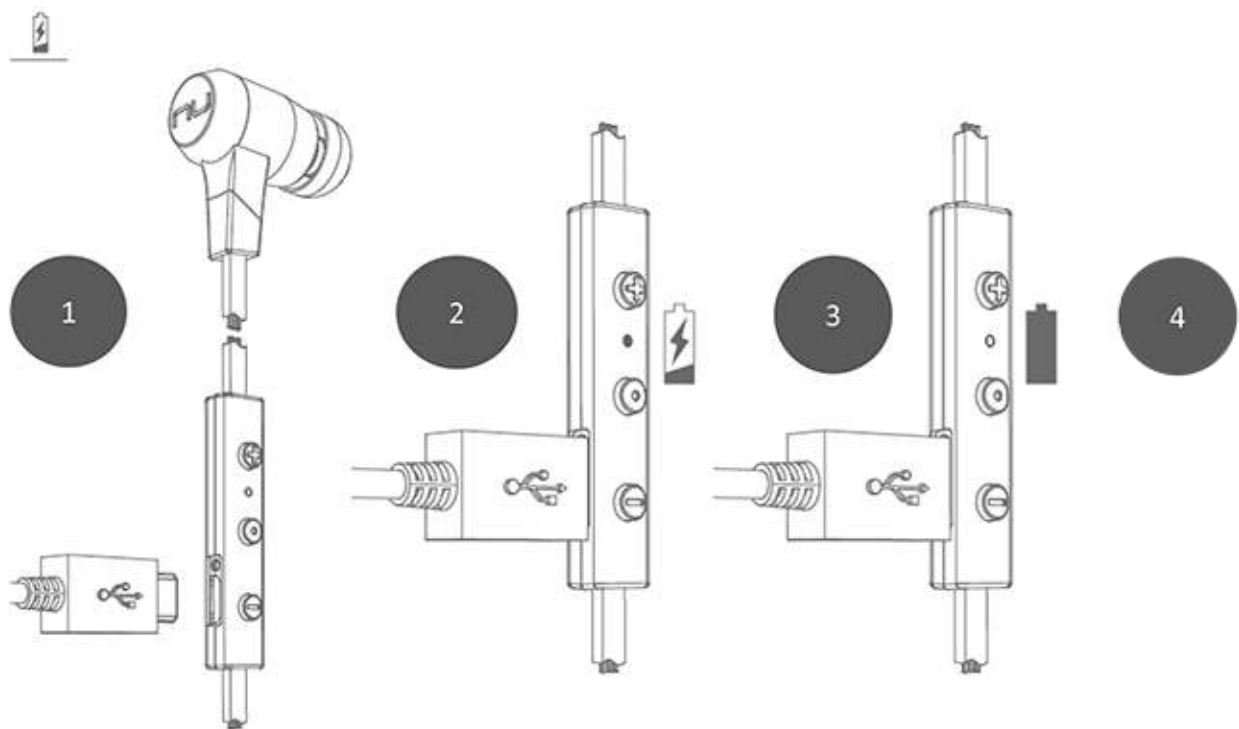
# The BASICS

## Charging Your BE6

Although your BE6 in-ear headphones come with a partially charged battery, it is recommended that you fully charge your BE6 before first use.

1. Open the charge port cover on the controller.
2. The charge cable should be connected to the charge port and either to a PC or a dedicated USB charger.
3. When charging, the LED indicator is red.
4. LED Indicator turns off once charging is complete.

*NOTE: It takes up to 2.5 hours to fully charge the BE6.*



## Checking Battery Level

You can check the battery level of your BE6 with the LED indicator \*

To check battery level:

1. Press the Power/Function, volume up, and volume down buttons simultaneously.
2. The LED indicator will flash red and blue simultaneously. The battery level will be indicated by the number of flashes, as described in the table below:

### Number of Flashes Battery Level

Number of flashes	Voice prompts(enable)
2	Battery Low
3	Battery at 50%
4	Full Battery
5	Full Battery

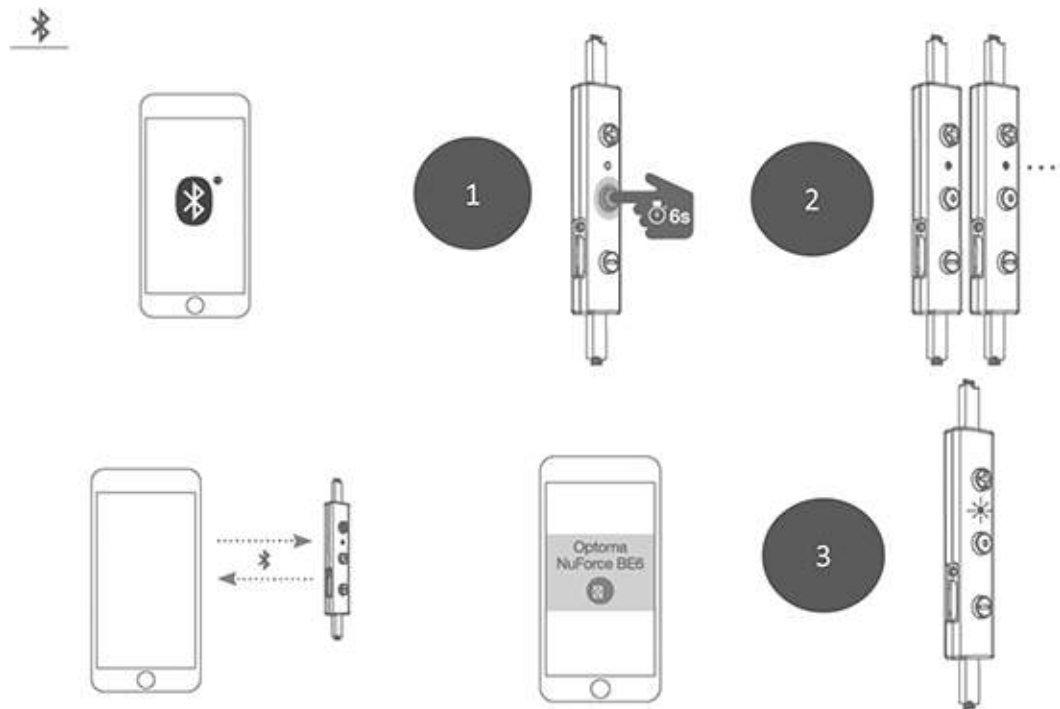
*NOTE: When the battery level is low, you will hear a beep or a "Battery Low" voice prompt from your BE6 every 2 minutes, when the estimated battery reserve remaining time is under 15minutes.*

*IN ADDITION:*

1. *When the Voice prompts are switched off you will hear a beeping sound (A short double tone) every two minutes.*
2. *Users with iOS devices and some Android models will be able to view the battery status on their device 's display*

*\*On some Android and all Windows operated devices you cannot check the battery level for your BE6 when you listen to music, in the middle of a phone call or in pairing mode.*

## Bluetooth Pairing



### Using your BE6 for the first time

#### Pairing BE6 with source device

1. Press and hold the BE6's Power/Function button for 6 seconds until the LED indicator light flashes blue/red. Your BE6 is now in pairing mode.
2. Turn on *Bluetooth*® on your source device, then select "Optoma NuForce BE6" once it appears on the device list.

**NOTE:** Consult your source device's user manual for instructions on activating Bluetooth.

3. Once successfully paired, the LED indicator will flash blue and you hear "Primary device connected" (when voice prompt enabled) from your BE6, or a beep if voice prompt is not enabled.

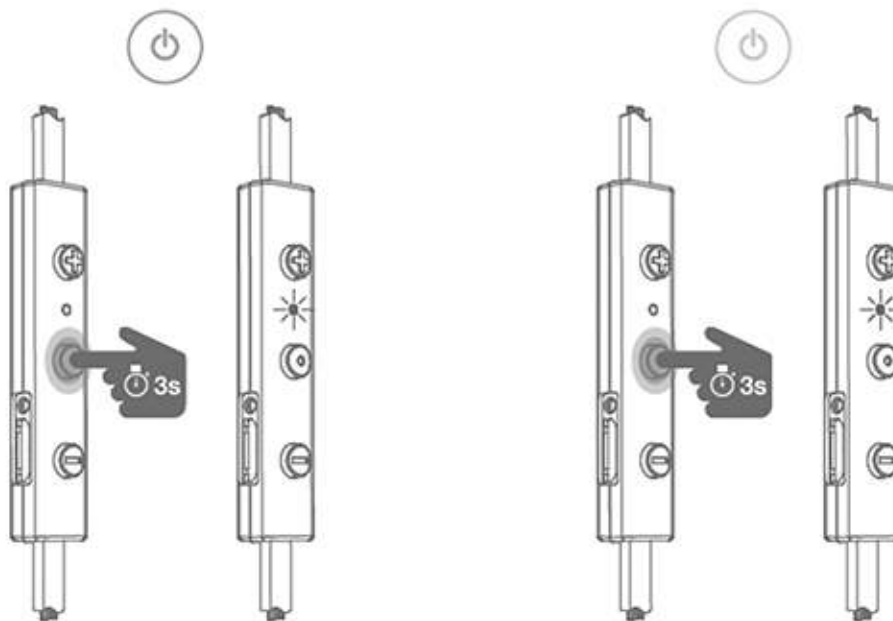
#### Please note:

- A. You must always enter "Pair" mode from a powered-off state. Otherwise, pushing the Power/Function button for more than 3 seconds from a powered-on state turns the BE6 off.
- B. If left inactive in pairing mode, your BE6 will automatically power off after 3 minutes.

C. *Your BE6 can store pairing information for up to eight devices. To pair additional devices to your BE6 ensure that your BE6 is not concurrently connected to any device, then repeat the steps 1,2,3 outlined above.*

*In case where your BE6 have already stored pairing information for eight devices and a ninth device is paired, the stored information for the very first device will be deleted.*

## **Power On/Power Off**



To power on your BE6, press Power/Function button for about 3 seconds until the LED indicator flashes blue and you hear the “Power on” when voice prompt is activated or a beep if the voice prompt is not used.

### **NOTE:**

*Once you have successfully paired the BE6 to a Bluetooth-enabled device, the BE6 will automatically connect with that device once it is powered on again. For more information check “Bluetooth Pairing” section.*

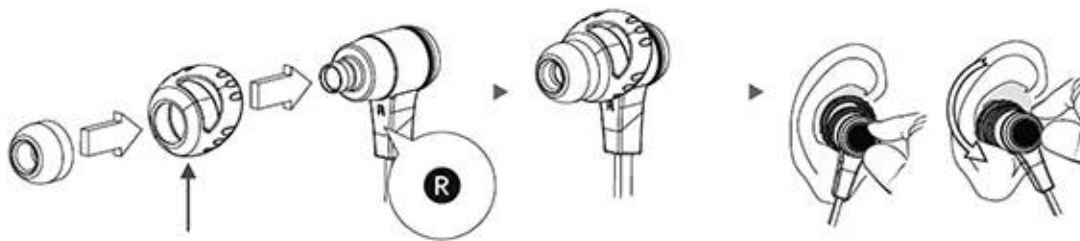
*If you have stored pairing information for multiple devices and more than one of those devices is Bluetooth enabled, the BE6 will automatically connect with the most recently paired device and will also enable multipoint connection.*

*For more information read section “Multipoint Connections”.*



To turn the BE6 to OFF, push Power/Function button for about 3 seconds until the LED indicator turns red and you hear the “Power off” when voice prompt be activated or a beep if the voice prompt is not used.

## Wearing Your BE6



To ensure a secure and comfortable fit when wearing your BE6:

1. Install the stabilizers on the BE6 (see red arrow)
2. Select right size of ear tips and install tips on BE6.
3. Rotate the stabilizers and place the BE6 into each ear so that they are positioned comfortably.

Magnetic caps at the end of the earphones let users click the earphones together for ease of use.

## Handling Phone Calls

When your BE6 are connected to a *Bluetooth*-enabled smartphone you can handle your phone calls directly using your BE6 in ear headphones.

The followings describe phone call options:

Call option	Status	Action
Answer a call	Incoming call	Tap the Power/Function button
Decline a call	Incoming call	Press the Power/Function button for 2 seconds
End a call	In a call/outgoing call	Tap the Power/Function button
Redial the last number	Standby/connected	Double tap the Power/Function button
Mute on or mute off microphone	In a call/outgoing call	Tap the Volume Up and Volume Down simultaneously
Switching handset/earphone voice	In a call	Press the Volume Up and Volume Down buttons simultaneously for 2 seconds
Adjust the volume		Tap the Volume Up or Volume Down button
Activate Siri (iOS) or Google Voice Search (Android)	Standby/Connected	Tap the Power/Function and Volume Up buttons simultaneously

## Listening to Music


You can enjoy and control Audio through the in line controller on your BE6.

Audio option	Action
Play or pause audio	Tap the Power/Function button
Skip to next track	Press the Volume Up button for 2 seconds
Play previous track	Press the Volume Down button for 2 seconds
Adjust the volume	Tap the volume up or volume down button

**\*Please note: when muting the BE6 or reactivating it from MUTE there will be a very slight delay**

## Pairing with a Laptop

The connection instructions below apply to owners of Windows 7, 8, 8.1 and 10.

1. Power your PC/Laptop
2. Find "Bluetooth Settings"
3. Switch your laptop Bluetooth to "On"
4. Turn the BE6 to "Pairing Mode"
5. When the BE6 is discovered by your laptop left click on "Pair"
6. Right click on the speaker symbol at the bottom right side of the screen 
7. From the dropdown menu right click on the "Playback Device"
8. Please choose and right click the "Optoma NuForce BE6 stereo ready" (see image below text)
9. Click on HEADPHONES to set the "Headphones Optoma NuForce BE6" as default device
10. Press OK



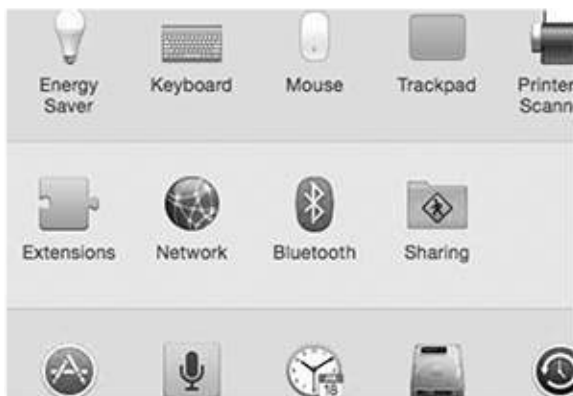
## Pairing with a Mac

The connection instructions below apply to owners of all current and recent iOS versions

1. Power your Mac
2. Open "System Preferences"



3. Click on the Bluetooth symbol



4. Turn the Optoma NuForce BE6 to "Pairing Mode"
5. When the Optoma NuForce BE6 is discovered by your Mac click on "Pair"



6. Your Mac is now ready to play audio via the BE6

# MISCELLANEOUS

## Multipoint Connections

If you have stored pairing information for multiple devices and more than one of those devices have Bluetooth enabled at the same time, your BE6 will enable multipoint connection.

Multipoint connection allows your BE6 to hold connections with two devices at the same time while playing audio signal from only one of the two devices.

Multipoint connection works in the following ways:

- Your BE6 automatically connects with the most recently paired device (“Primary device”).
- You must manually connect the second device (“Secondary device”) to your BE6 via its operating system.
- The BE6 will prioritize the audio from Primary device.
- You can control Primary device using the BE6 in line controller.
- When Primary device is idle, your BE6 can receive audio from Secondary device.
- Secondary device must be controlled directly from its operating system.
- Simultaneous audio from both devices is disabled.

## Restore Factory Settings

When you restore the BE6 to its factory settings, the paired devices stored will be deleted.

To restore factory settings:

- 1** Ensure that your BE6 are not connected to any device.
- 2** Put the BE6 in pairing mode.
- 3** Press simultaneously the Power/Function, Volume Up, and Volume Down buttons for 2 seconds until the LED indicator flashes red five times and you hear five short tones from the BE6.

Because all pairing information is deleted after restoring factory settings, the BE6 will directly enter pairing mode once powered on.

## Voice Prompts list

The BE6 are pre-loaded with English voice prompts

“Power On”

“Power Off”

“Full Battery”

“Battery at 50%”

“Battery Low”

“Primary device connected”

“Secondary device connected”

“Device disconnected”

“Mute On”

“Mute Off”

“Pairing Mode Activated”

“Redial Last Number”

“Transfer Audio”

“Voice Dial”

“Voice Prompts Enabled”

“Voice Prompts Disabled”

Audio option	Action
Activate voice prompts	Press the Power/Function and Volume Up buttons simultaneously for 2 seconds
Turn off voice prompt	Press the Power/Function and Volume Down buttons simultaneously for 2 seconds

## Disclaimer

Please be advised, The BE6 is equipped with the latest technology however functionality may vary by device.

# Federal Communication Commission Interference

## Statement

This equipment has been tested and found to comply with the limits for a Class B digital device, pursuant to Part 15 of the FCC Rules. These limits are designed to provide reasonable protection against harmful interference in a residential installation.

This equipment generates, uses and can radiate radio frequency energy and, if not installed and used in accordance with the instructions, may cause harmful interference to radio communications. However, there is no guarantee that interference will not occur in a particular installation. If this equipment does cause harmful interference to radio or television reception, which can be determined by turning the equipment off and on, the user is encouraged to try to correct the interference by one of the following measures:

- . Reorient or relocate the receiving antenna.
- . Increase the separation between the equipment and receiver.
- . Connect the equipment into an outlet on a circuit different from that to which the receiver is connected.
- . Consult the dealer or an experienced radio/TV technician for help.

***FCC Caution:*** To assure continued compliance, any changes or modifications not expressly approved by the party responsible for compliance could void the user's authority to operate this equipment. (Example - use only shielded interface cables when connecting to computer or peripheral devices).

### ***FCC Radiation Exposure Statement***

This equipment complies with FCC RF radiation exposure limits set forth for an uncontrolled environment. This equipment should be installed and operated with a minimum distance of 0.5 centimeters (.20 of an Inch) between the radiator and your body.

This transmitter must not be co-located or operating in conjunction with any other antenna or transmitter.

The antennas used for this transmitter must be installed to provide a separation distance of at least 0.5 centimeters (.20 of an Inch) from all persons and must not be co-located or operating in conjunction with any other antenna or transmitter.

This device complies with Part 15 of the FCC Rules. Operation is subject to the following two conditions:

- (1) This device may not cause harmful interference, and
- (2) This device must accept any interference received, including interference that may cause undesired operation.

## Specification

Connection type	Bluetooth 2.4Ghz	
Bluetooth type	V4.0+EDR Compliant	
Bluetooth profile	HSP 1.2, HFP 1.6, A2DP 1.2, AVRCP 1.4 , aptX, AAC	
Codec	SBC, aptX, AAC	
Cable length	561	mm
Driver Type	Dynamic	
Driver size	10	mm
Impedance	20	Ohm
Battery life (estimated)	Up to 6 hours	
Battery type	Lithium-ion battery, Cylindrical Type, Typical	
	3.7V/80mAh	
Microphone sensitivity	-42dB	
Frequency response	20Hz - 20kHz	
Sensitivity	95dB +/-3dB at 1KHz	
power consumption	15mA at A2DP mode, speaker output 75dB SPL	
Range	Up to 30m (98.5ft)	
Weight	16	Grams





[www.optoma.com](http://www.optoma.com)