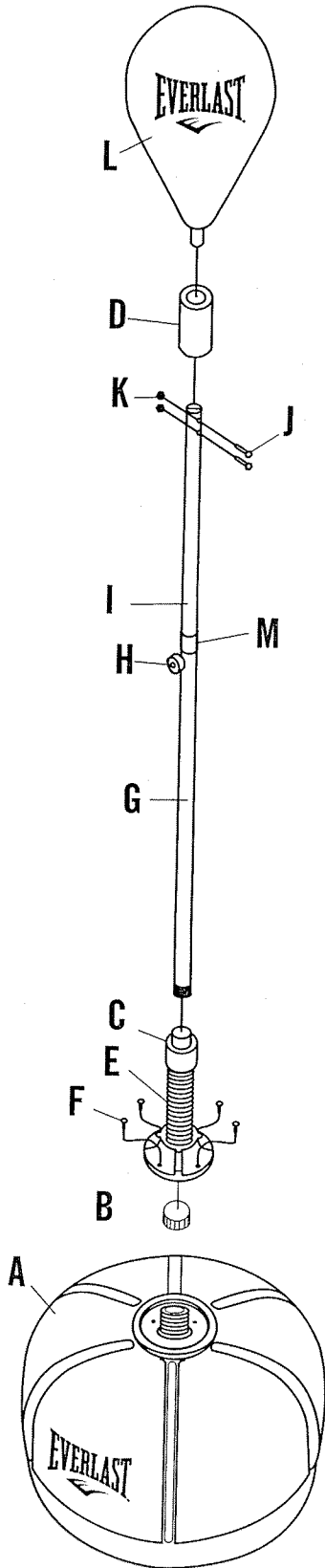




## 2260 ADVANCED REFLEX BAG ASSEMBLY INSTRUCTIONS

### OVERVIEW CHART



#### STEP 1.

Open the Cap (B) on the Base (A) and fill with water (Figure A) or sand (Figure B) and close with Cap (B).

#### STEP 2.

Tighten Cover (C) onto Spring (E). Attach Spring (E) to the top of Base (A) with four Screws (F) and tighten.

#### STEP 3.

Loosen Knob (H) and slide Inner Tube (I) into Outer Tube (G) and tighten Knob (H). Slide tube assembly into spring assembly.

#### STEP 4.

Slide Foam Cover (D) onto Inner Tube (I) past mounting holes. Attach Ball (L) to Inner Tube (I) with two Screws J and Nuts (K) and tighten. Slide Foam Cover (D) up over screws.

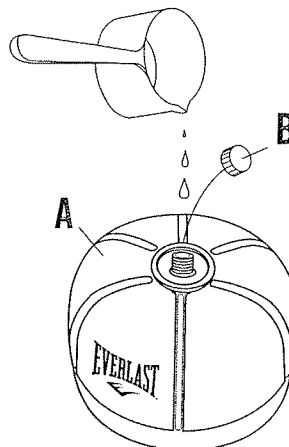
#### STEP 5.

Use Knob (H) to adjust tube assembly height as desired.

### WARNING:

The EVERLAST Reflex Bag is not a toy. Please do not allow children to use it without adult supervision. Similarly, before allowing people unfamiliar with the reflex bag to use it, instruct them on the basics. The user must accept full responsibility for the safe and proper assembly and use of all equipment. Before each and every use be sure the equipment is in good condition and properly fastened.

#### FIGURE A



#### FIGURE B

