

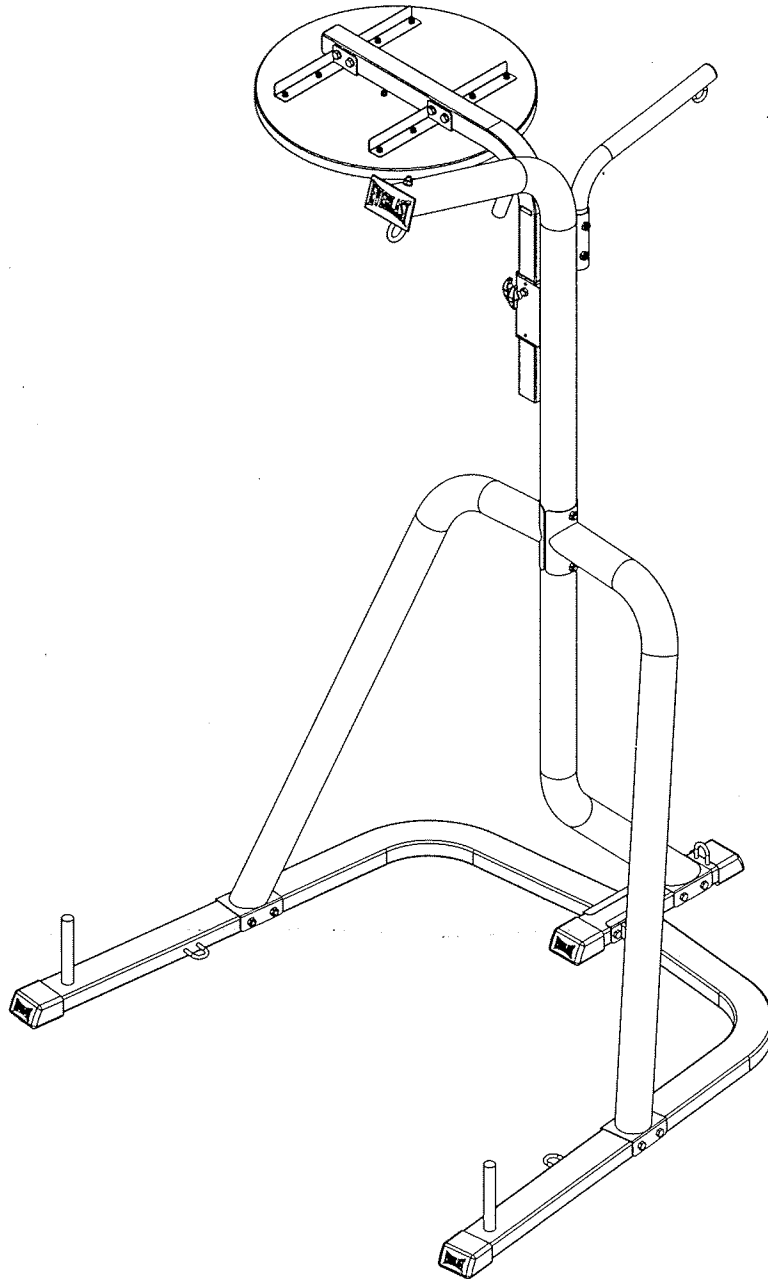
# ROUND TUBE HEAVY/SPEED BAG STAND

Model #:4825

Tools Required:  
Adjustable Wrench  
Socket Wrench Set  
Rubber Mallet

## OWNER'S MANUAL

Retain This Manual For Reference

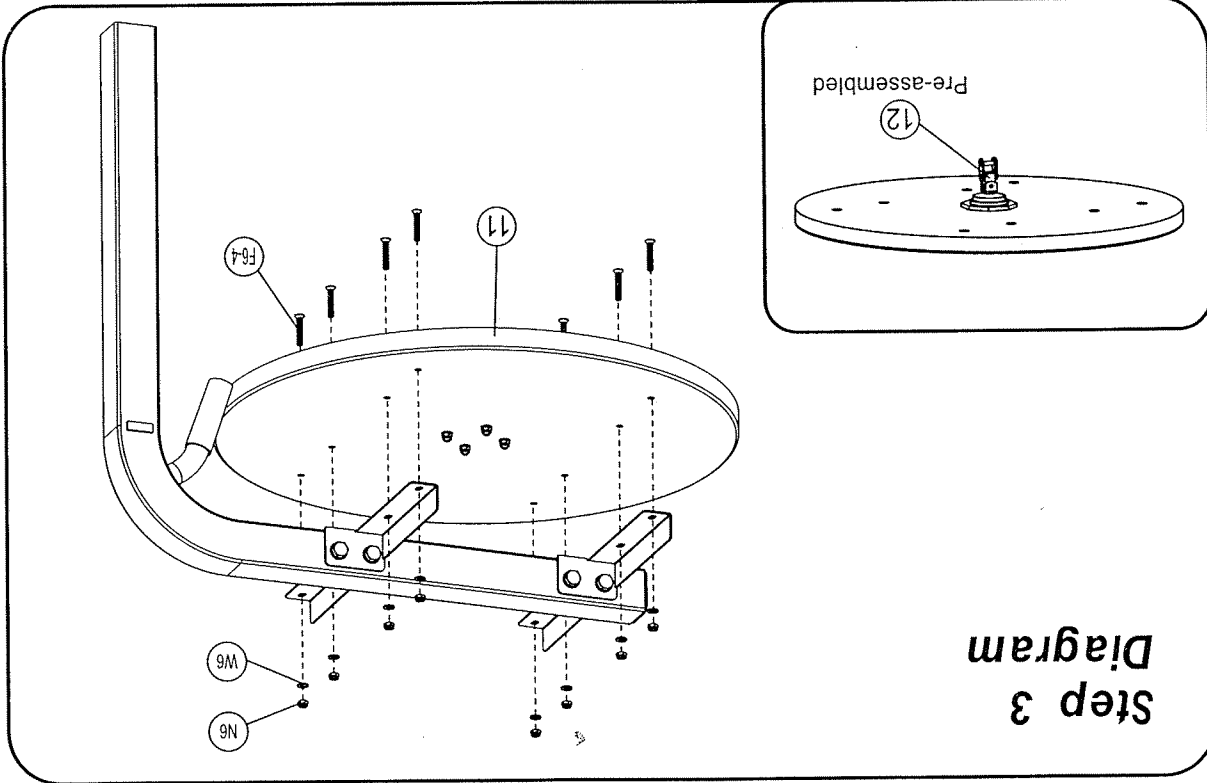


Note: Both Serial Number and Model Number are Required When Ordering Parts

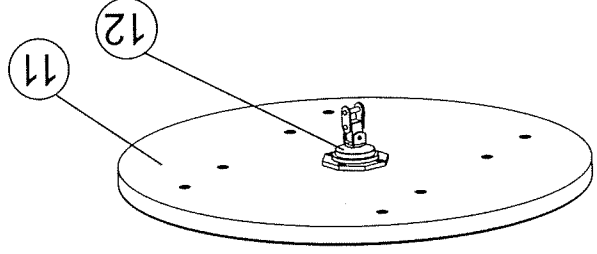


# Assembly Instructions

## Step 3 Diagram



## ADJUSTMENT



#12 Swivel Unit Pre-assembled

NOTE:

Use a special forceps to loose the # 12g clip, and then re-assemble it after hanging up the Speed Ball.

