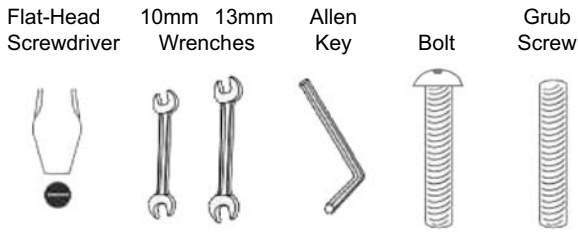


## TOOLS REQUIRED

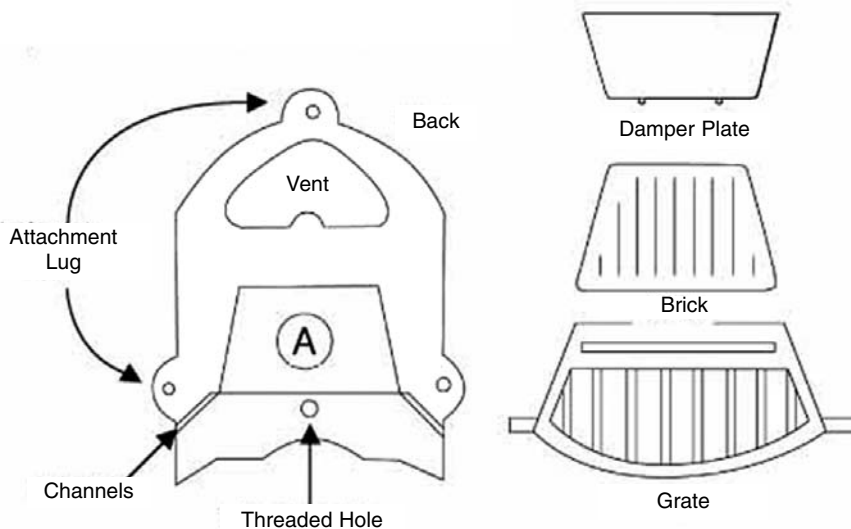


## Components

## Qty

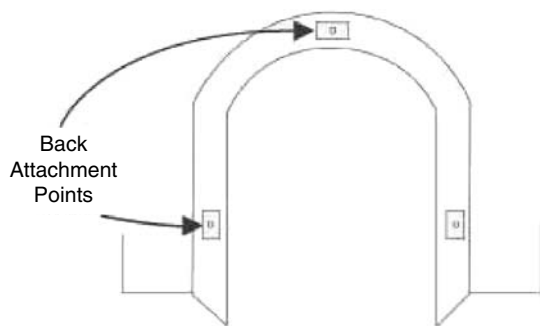
1) Facia	1	
2) Shelf	1	With 3x shelf bolts, nuts & washers
3) Bars	1	
4) Ash Pan Cover	1	
5) Firebox	1	
6) Brick	1	
7) Grate	1	
8) Damper Plate	1	
9) Nuts & Bolts	4	Nuts, grubs screws & washers

## Step 1. Assemble The Firebox



- Lay the firebox down on its back. Run a bead of high temperature cement around the brick to create a fireproof seal.
- Using the channels in the back, slide the brick down into position with the lip, holding the back into place.
- Fix the grate to the back by bolting the underside of the grate into the threaded hole on back.
- Place damper plate over firebox vent area.

## Step 2. Attach The Firebox To The Facia

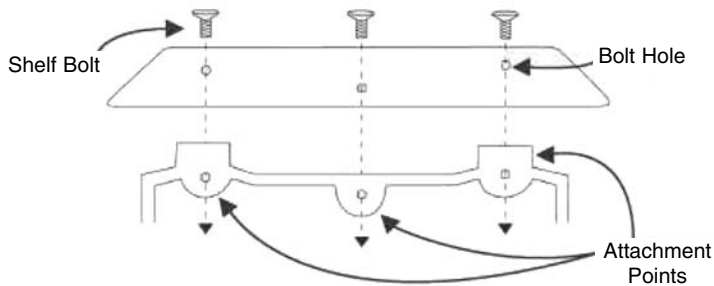


- Screw the grub screws or bolts into each of the three attachment points.
- Run a bead of high temperature cement on the perimeter of the firebox prior to attaching the cast iron firebox to the cast iron facia to create a fireproof seal.
- Lift the firebox into place with the attachment lugs hooking over the lugs on the attachment point.
- Fix into place with lock nuts and washers. When bolts are supplied, run nut up 3/4" length of bolt and add washer.

### IMPORTANT

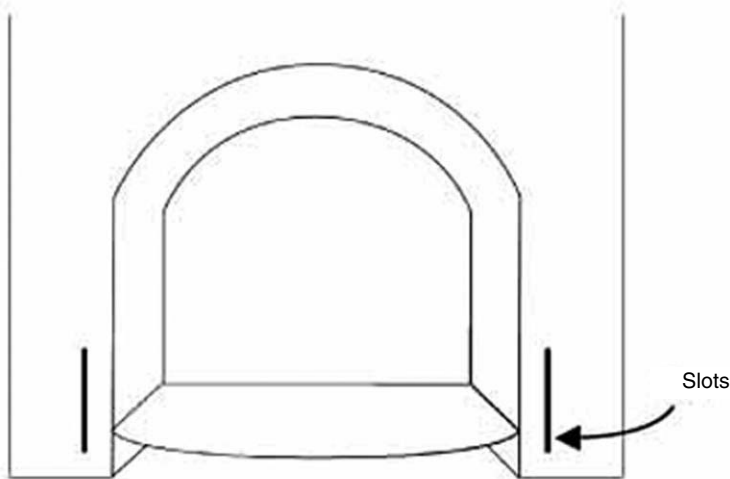
Please ensure an experienced installer assembles your fireplace with both high temperature adhesive and metal fittings provided. Adhesive alone is not sufficient.

**Step 3. Attach The Shelf To The Facia**



- a) Line the three bolt holes on the shelf up with the three attachment points on the facia.
- b) Thread the shelf bolts through the shelf and the attachment points.
- c) Using the washers and lock nuts on the underside of the attachment points, secure the shelf into place.

**Step 4. Attach Bars To Facia**



- a) Using the slots to the side of the grate, secure the bars in place.