

DESCRIPTION

The Steeler combines computerized design, durable cold-rolled steel and a field-adjustable reflector to provide a degree of versatility unmatched in other industrials. U.L. 1572 listed and labeled for damp location. CSA Certified.

APPLICATION

The Steeler is perfect for warehouses, gymnasiums, assembly areas, hangars, manufacturing and automotive service areas.

SPECIFICATION FEATURES

A...Mounting

Easy slide-on die-cast aluminum mounting box with tapped opening for 3/4" conduit.

B...Housing

Heavy-duty, formed steel housing with an open air ballast for cooler operation is finished in a white polyester powder coat.

C...Ballast

High power factor ballast with class H insulation. U.L. listed for 55°C (131°F) ambient temperature operation. Minimum starting temperature is -40°C (-40°F) for HPS and -30°C (-20°F) for MH. CSA certified.

D...Universal Brackets

Universal ladder brackets allow for the flexibility to change out with other reflectors available in acrylic or glass.

E...Socket

Mogul-base porcelain socket.

F...Reflector

Computer-designed, field-adjustable reflector mounts easily and allows multiple distribution patterns for precise control.

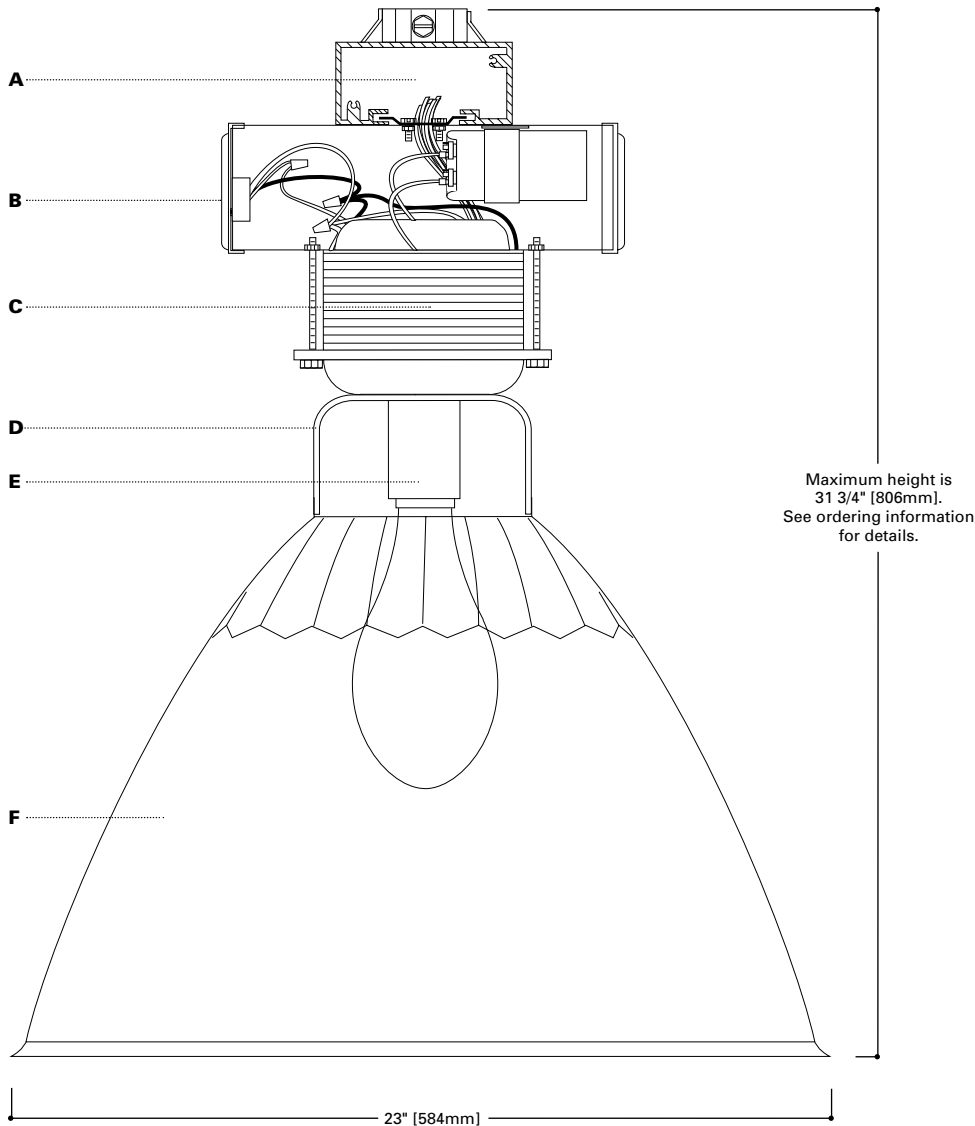


SS23" STEELER

400 - 1000 W

High Pressure Sodium
Metal Halide

HIGH-BAY
INDUSTRIAL LUMINAIRE

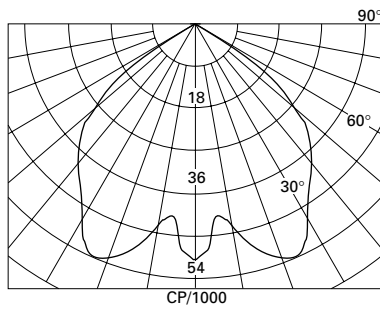


ENERGY DATA

- CWA Ballast Input Watts
- 400W MP HPF (448 Watts)
- 400W HPS HPF (465 Watts)
- 400W MH HPF (455 Watts)
- 750W HPS HPF (850 Watts)
- 1000W HPS HPF (1100 Watts)
- 1000W MH HPF (1085 Watts)



PHOTOMETRICS



HPSS-SA23-M-1000
1000-Watt HPS, Medium Distribution
140,000-Lumen Clear Lamp

Coefficients Of Utilization

| rc | Effective floor cavity reflectance | | | | | | | | | | | | | | | | | | | | | | |
|------------|------------------------------------|----|----|----|-----|----|----|----|-----|----|----|----|-----|----|----|----|-----|----|----|----|----|--|--|
| | 80% | | | | 70% | | | | 50% | | | | 30% | | | | 10% | | | | 0% | | |
| rw | 70 | 50 | 30 | 10 | 70 | 50 | 30 | 10 | 50 | 30 | 10 | 50 | 30 | 10 | 50 | 30 | 10 | 50 | 30 | 10 | 0 | | |
| RCR | | | | | | | | | | | | | | | | | | | | | | | |
| 1 | 96 | 93 | 90 | 88 | 93 | 91 | 89 | 86 | 87 | 85 | 83 | 83 | 82 | 80 | 80 | 78 | 77 | 76 | 76 | 76 | | | |
| 2 | 90 | 85 | 81 | 77 | 88 | 83 | 79 | 76 | 80 | 77 | 74 | 77 | 74 | 72 | 74 | 72 | 70 | 68 | 68 | 68 | | | |
| 3 | 84 | 77 | 72 | 68 | 82 | 76 | 71 | 67 | 73 | 69 | 65 | 70 | 67 | 64 | 68 | 65 | 63 | 61 | 61 | 61 | | | |
| 4 | 78 | 70 | 64 | 60 | 76 | 69 | 64 | 59 | 67 | 62 | 58 | 65 | 61 | 57 | 62 | 59 | 56 | 55 | 55 | 55 | | | |
| 5 | 73 | 64 | 58 | 53 | 71 | 63 | 57 | 53 | 61 | 56 | 52 | 59 | 55 | 51 | 57 | 53 | 50 | 49 | 49 | 49 | | | |
| 6 | 67 | 58 | 51 | 47 | 66 | 57 | 51 | 46 | 55 | 50 | 46 | 54 | 49 | 45 | 52 | 48 | 45 | 43 | 43 | 43 | | | |
| 7 | 62 | 52 | 46 | 41 | 61 | 51 | 45 | 41 | 50 | 44 | 40 | 48 | 44 | 40 | 47 | 43 | 39 | 38 | 38 | 38 | | | |
| 8 | 58 | 47 | 41 | 36 | 56 | 47 | 40 | 36 | 45 | 40 | 36 | 44 | 39 | 35 | 43 | 38 | 35 | 34 | 34 | 34 | | | |
| 9 | 53 | 43 | 36 | 32 | 52 | 42 | 36 | 32 | 41 | 36 | 32 | 40 | 35 | 31 | 39 | 34 | 31 | 30 | 30 | 30 | | | |
| 10 | 50 | 39 | 33 | 28 | 48 | 38 | 32 | 28 | 37 | 32 | 28 | 37 | 31 | 28 | 36 | 31 | 23 | 26 | 26 | 26 | | | |

| Candlepower | |
|-------------|-------|
| Degree | CP |
| 0 | 50570 |
| 5 | 42509 |
| 15 | 49630 |
| 25 | 53375 |
| 35 | 42164 |
| 45 | 34154 |
| 55 | 18089 |
| 65 | 4840 |
| 75 | 157 |
| 85 | 6 |
| 90 | 0 |
| 95 | 24 |
| 105 | 29 |
| 115 | 43 |
| 125 | 436 |
| 135 | 1216 |
| 145 | 1892 |
| 155 | 2246 |
| 165 | 1191 |
| 175 | 67 |
| 180 | 57 |

Spacing Criterion 1.7

| Zone | %Lamp | Zone | %Lamp |
|------|-------|--------|-------|
| 0-30 | 30.50 | 0-90 | 83.30 |
| 0-40 | 49.40 | 90-180 | 2.90 |
| 0-60 | 79.50 | Total | 86.20 |

ORDERING INFORMATION

SAMPLE NUMBER: HPSS-SA23-M-1000-MT-Q

| | | | | | |
|---|--|-------------------------------------|---|---|---|
| SS | SA | 23 | | | |
| Lamp Type HP=High Pressure Sodium MH=Metal Halide MP=Pulse Start MH (CWA) ^{3,9} ML=Pulse Start MH (Linear Reactor) ^{3,4,8,9} | Reflector Type SA=Anodized Spun Aluminum | Reflector Diameter 23=23" | Socket Position/Distribution C=Concentrated M=Medium W=Wide | Lamp Wattage 400=400W 1000=1000W | Voltage² 120V 208V 240V 277V 347V 480V MT=Multi-Tap ¹ TT=Triple-Tap ¹ |
| Series SS=Steeler | | | | | |

| | |
|--|--|
| <p>Options (add as suffix) F1=Single Fuse—120, 277 or 347V (Specify single voltage only) F2=Double Fused—208, 240 or 480V (Specify single voltage only) Q=Quartz Restrike DC Bayonet Base (Hot strike only) QD=Quick Disconnect Die-Cast Pendant Mount Box—Specify single voltage (Not compatible with PC3, PHC, C3, MWS or HC) RM=Remote Mount EM=Quartz Restrike with "Delay Relay" (Strikes at cold start) EM/SC=Emergency Separate Circuit SCF=3' Aircraft Safety Cable—Housing to Ceiling SCR=Aircraft Safety Cable—Housing to Reflector SS=Space Saver Feature MWS=Modular Wiring System Available. Consult Factory P=Pre-set socket position from Factory. Specify desired position⁸ DL100=100% Downlight HL=LumaWatt Fixture Control Module (Allows low voltage control wire to be daisy-chained between fixtures outside AC conduit run similar to low voltage intercom's, fire alarms and phone systems)⁸ HC=LumaWatt Fixture Control Module (Low voltage leads pulled out of top connection box for areas requiring all wiring to be installed in conduit)^{8,7} OR=Open rated socket for pulse start Metal Halide</p> | <p>Accessories (order separately) FH-1=Fixture Hook FL-1=Fixture Loop SHK=Hook with Safety Screw PC3=3' Cord for with NEMA Plugs (120V-L5-15P, 208V-L6-15P, 240V-L6-15P, 277V-L7-15P, 347V-L37-20P and 480V-L8-20P) Other Lengths Available. Requires FH-1 or FL-1. Use with TPPH-NEMA. Specify Voltage PHC=Power Cord and Plug (18" cord, non-NEMA plug requires FL-1 and TPPH) TPPH-NEMA=Thru-way Pendant Power Hook. Requires FL-1 and PC3. Specify Voltage TPPH=Thru-Way Pendant Power Hook Requires FL-1 and PHC. Specify Voltage TPPH-F=Thru-Way Pendant Power Hook-Single Fuse, 120, 277 or 347 Volt. Requires FL-1 and PHC. Specify Voltage TPPH-F2=Thru-Way Pendant Power Hook-Double Fused, 208, 240 or 480 Volt. Requires FL-1 and PHC. Specify Voltage TPPH-F-QD=Thru-Way Pendant Power Hook-Single Fuse, Quick Disconnect. Requires FL-1 and PHC. Specify Voltage TPPH-F2-QD=Thru-Way Pendant Power Hook-Double Fused, Quick Disconnect. Requires FL-1 and PHC. Specify Voltage TW/MBS=Thru-way Mounting Box WG23=Wire Guard (not compatible with "SGB23") WG23/GLC=Gym Wire Guard w/ Safety Glass C3=3' Cord-No Plug-Requires FH-1 or FL-1 MBT=Twin Mount Bracket (Fixtures must be same voltage and without hooks, loops or plugs) SGB23=Safety Glass Bottom (not compatible with "WG23") BZ=Bronze Finish LL=Lamp Included</p> |
|--|--|

| Catalog Number ¹ | Lamp Type/Base | Lamp Wattage | S/MH | Distribution | Net Wt. (lbs.) | Fixture Height | Shipping Volume (cu. ft.) |
|-----------------------------|----------------|--------------|------|--------------|----------------|-----------------|---------------------------|
| HPSS-SA23-C-1000 | HPS/Mogul | 1000 | 0.6 | Concentrated | 37 | 30" [762mm] | Ballast |
| HPSS-SA23-M-1000 | HPS/Mogul | 1000 | 1.3 | Medium | 37 | 29 1/4" [743mm] | 1/ctn |
| HPSS-SA23-W-1000 | HPS/Mogul | 1000 | 1.9 | Wide | 37 | 28 1/2" [724mm] | 0.80 |
| MHSS-SA23-C-1000 | MH/Mogul | 1000 | 0.9 | Concentrated | 37 | 31 3/4" [806mm] | Reflector |
| MHSS-SA23-M-1000 | MH/Mogul | 1000 | 1.3 | Medium | 37 | 31" [787mm] | 5/ctn |
| MHSS-SA23-W-1000 | MH/Mogul | 1000 | 1.6 | Wide | 37 | 30 1/4" [768mm] | 7.99 |

NOTES: ⁽¹⁾ Multi-Tap ballast is 120/208/240/277V wired 277V. Triple-Tap ballast is 120/277/347V wired 347V. Add desired voltage before "MT" or "TT".
⁽²⁾ Products also available in non-US voltages and 50Hz for international markets. Various ballast configurations available.
⁽³⁾ 400W only.
⁽⁴⁾ 277V only, not available with Q or EM option.
⁽⁵⁾ Factory set for concentrated, medium or wide distribution otherwise fixture is shipped in medium setting for 18" reflector.
⁽⁶⁾ 30 Second time delay when switching from bright to dim above 400W. Consult individual lamp manufacturers recommendations for compatible lamps. For use with CWA ballast only.
⁽⁷⁾ Not available with QD, PC3, C3, PHC or MWS.
⁽⁸⁾ Not available with HL or HC.
⁽⁹⁾ Must specify "OR" open rated socket or safety glass bottom enclosure.

NOTE: Specifications and dimensions subject to change without notice.

