

LUMARK®



EPENTERPRISE 22

70W - 400W

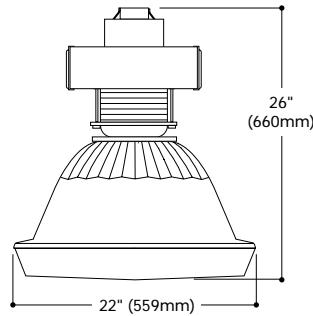
High Pressure Sodium
Metal HalideLOW-BAY
INDUSTRIAL LUMINAIRE

- Die-cast aluminum mounting box tapped for 3/4" conduit
- Heavy-duty white painted formed steel housing with an open air ballast for cooler operation
- High power factor ballast with class H insulation. U.L. listed for 40°C (104°F) ambient temperature operation Minimum starting temperature is -40°C (-40°F) for HPS and -30°C (-20°F) for MH.
- Enclosed and gasketed optics
- Mogul-base porcelain socket
- Computer designed, faceted reflector
- Internal hangers for reflector/refractor
- 100% virgin UV stabilized acrylic lens
- Approximate net weight: 35 lbs. (16 kgs.)

DESCRIPTION

Enterprise 22's durable construction and precise optics for low mount applications such as warehouses, gyms, assembly areas, food processing plants and hangars. U.L. 1572 listed and labeled for damp location. CSA certified.

DIMENSIONS



ORDERING INFORMATION

SAMPLE NUMBER: HPEP-R22-250-MT-Q

Lamp Type	Series	Reflector Size	Reflector Type	Lamp Wattage	Voltage ⁽³⁾	Options & Accessories
HP=High Pressure Sodium MH=Metal Halide MP=Pulse Start MH (CWA) ⁽⁴⁾ ML=Pulse Start MH (Linear Reactor) ^{(4), (5), (8)}	EP=Enterprise	R22=22"	__=Acrylic PL=Polycarbonate ⁽⁹⁾	70=70W/Mogul 100=100W/Mogul 150=150W/Mogul 175=175W/Mogul 200=200W/Mogul ⁽²⁾ 250=250W/Mogul 320=320W/Mogul ⁽²⁾ 350=350W/Mogul ⁽²⁾ 400=400W/Mogul	120V 208V 240V 277V 347V 480V MT=Multi-Tap ⁽¹⁾ TT=Triple-Tap ⁽¹⁾	(See Below)

STOCK ORDERING INFORMATION (UNIT PACKED WITH LAMP INCLUDED)

STOCK SAMPLE NUMBER: FS25

Series	Lamp Type	Lamp Wattage	No Lamp Included
F=Enterprise	S=High Pressure Sodium M=Metal Halide	25=250W 40=400W 258=250W (Canada, Triple-Tap) 408=400W (Canada, Triple-Tap)	NL

NOTES: Options not available with stock products. Order Accessories as separate items for field installation. Refer to standard ordering information to add options and accessories.

PRODUCT INFORMATION

Catalog Number ⁽¹⁾	Lamp Wattage	Lamp Type	Options (add as suffix)	Accessories (order separately)
HPEP-R22-70	70	HPS	F1=Single Fuse—120, 277 or 347V (Specify single voltage only)	FH-1=Fixture Hook
HPEP-R22-100	100	HPS	F2=Double Fused—208, 240 or 480V (Specify single voltage only)	FL-1=Fixture Loop
HPEP-R22-150	150	HPS	Q=Quartz Restrike DC Bayonet Base (Hot strike only)	SHK=Hook with Safety Screw
HPEP-R22-250	250	HPS	QD=Quick Disconnect Die-Cast Pendant Mount Box—Specify single voltage (Not compatible with PC3, PHC, C3, MWS or HC)	PC3=3' Cord with NEMA Plugs (120V-L5-15P, 208V-L6-15P, 240V-L6-15P, 277V-L7-15P, 347V-L37-20P and 480V-L8-20P) Other Lengths Available. Requires FH-1 or FL-1. Use with TPPH-NEMA. Specify Voltage
HPEP-R22-400	400	HPS	EM=Quartz Restrike with "Delay Relay" (Strikes at cold start)	PHC=Power Cord and Plug (18" cord, non-NEMA plug requires FL-1 and TPPH)
MHEP-R22-175	175	MH	EM/SC=Emergency Separate Circuit	TPPH-NEMA=Thru-way Pendant Power Hook. Requires FL-1 and PC3. Specify Voltage
MHEP-R22-250	250	MH	FILT=Sintered Bronze Air Filter	TPPH=Thru-Way Pendant Power Hook. Requires FL-1 and PHC. Specify Voltage
MHEP-R22-400	400	MH	SCF=3' Aircraft Safety Cable-Housing to Ceiling	TPPH-F=Thru-Way Pendant Power Hook-Single Fuse, 120, 277 or 347 Volt. Requires FL-1 and PHC. Specify Voltage
Stock Number (Lamp Included)	Lamp Wattage	Lamp Type	SCR=Aircraft Safety Cable-Housing to Reflector	TPPH-F2=Thru-Way Pendant Power Hook-Double Fused, 208, 240 or 480 Volt. Requires FL-1 and PHC. Specify Voltage
FS25	250	HPS	SS=Space Saver Feature	TPPH-F-QD=Thru-Way Pendant Power Hook-Single Fuse, Quick Disconnect. Requires FL-1 and PHC. Specify Voltage
FS40	400	HPS	MWS=Modular Wiring System Available. Consult Factory	TPPH-F2-QD=Thru-Way Pendant Power Hook-Double Fused, Quick Disconnect. Requires FL-1 and PHC. Specify Voltage
FM25	250	MH	HL=LumaWatt Fixture Control Module (Allows low voltage control wire to be daisy-chained between fixtures outside AC conduit run similar to low voltage intercom's, fire alarms and phone systems) ⁽⁶⁾	TWMBS=Thru-way Mounting Box
FM40	400	MH	HC=LumaWatt Fixture Control Module (Low voltage leads pulled out of top connection box for areas requiring all wiring to be installed in conduit) ^{(6) (7)}	C3=3' Cord-No Plug-Requires FH-1 or FL-1

NOTES: ⁽¹⁾ Multi-Tap ballast is 120/208/240/277V wired 277V. Triple-Tap ballast is 120/277/347V wired 347V. Add desired voltage before "MT" or "TT".

⁽²⁾ Pulse start Metal Halide only. ⁽³⁾ Products also available in non-US voltages and 50Hz for international markets. Various ballast configurations available.

⁽⁴⁾ 175, 200, 250, 320, 350, & 400W only. ⁽⁵⁾ 277V only, not available with Q or EM option. ⁽⁶⁾ 30 Second time delay when switching from bright to dim above 400W.

Consult individual lamp manufacturers recommendations for compatible lamps. For use with CWA ballast only. ⁽⁷⁾ Not available with QD, PC3, PHC or MWS.

⁽⁸⁾ Not available with HL or HC. ⁽⁹⁾ Not recommended for use with Metal Halide lamps due to rapid yellowing typical of polycarbonate material.