

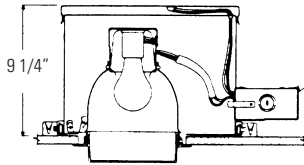


**6 3/4" Aperture
Dropped Opalex Diffuser
Reflector Trim**

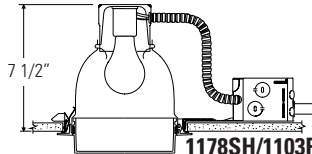
**Lytecaster®
Recessed
Downlighting**

1178SH
C0101

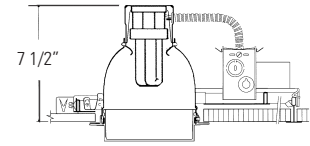
TYPE:



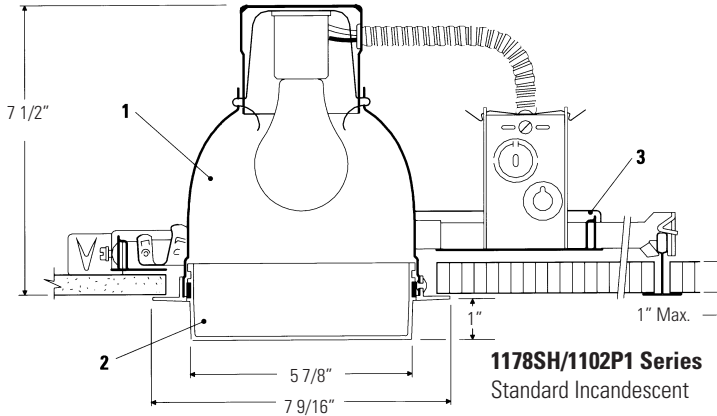
1178SH/1100 DEEP IC Series
Incandescent Insulated Ceiling



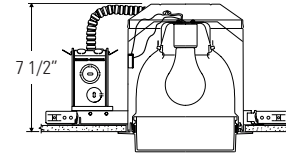
1178SH/1103R
Lytefiring™ Non-IC
Remodeler Ring



1178SH/1102D Series
1178SH/1102F Series
1178SH/1910XDH1
1178SH/1910XFH1
1178SH/1100FT Series
Fluorescent/Non-IC



1178SH/1102P1 Series
Standard Incandescent



1178SH/1104IC
Lytefiring™ Convertible IC/Non-IC

Complete Fixture consists of FRAME-IN KIT & REFLECTOR TRIM. Select each separately.

Reflector Trim	Frame-In Kit—See Individual Frame-In Kit Specification Sheets							
	Incandescent				Fluorescent			
	Frame-In Kit	Installation Type	Lamping	Height	Frame-In Kit	Installation Type	Lamping	Height
□ 1178SH Lexan	□ 1102P1	Non-IC		7 1/2"	□ 1102F1	Non-IC		7 5/8"
	□ 1103R	Non-IC	75W A19	7 1/2"	□ 1102FH1	Non-IC		7 5/8"
	□ 1100IC	IC		7 5/16"	□ 1102FH2	Non-IC	1 Lamp Quad Tube	7 5/8"
	□ 1100AICM	IC		7 5/16"	□ 1102FH1R	Non-IC Remodeler	13W (GX23-2)	7 5/8"
	□ 1100DICM	IC	40W A19	9 1/4"	□ 1104F1R	Non-IC Remodeler		7 1/2"
	□ 1100DAICM	IC		9 1/4"	□ 1104F1/N	IC		7 1/2"
	□ 1104ICX/N	IC		7 1/4"	□ 1910XFH1	Conversion		7 5/8"
	□ 1104IC/N	Non-IC		7 1/2"	□ 1102D1	Non-IC		7 5/8"
	□ 1104ICR	Non-IC Remodeler	40W A19	7 1/2"	□ 1102DH1	Non-IC		7 5/8"
					□ 1102DH1R	Non-IC Remodeler	2 Lamp Quad Tube	7 5/8"
					□ 1910XDH1	Conversion	13W (GX23-2)	7 5/8"
					□ 1102DM1	Non-IC Emergency		7 5/8"
					□ 1102DM2	Non-IC Emergency		7 5/8"
					□ 1100FTU	Non-IC	1 Lamp Triple Tube	7 5/8"
				□ 1100AICMFT	AirSeal-IC	26W or 32W (GX24-3)	6 7/8"	

- Features**
- Reflector:** Hydroformed aluminum, .040" minimum thickness (18 ga.); Perma white finish, 88% reflectance; plastic white trim flange.
 - Drop Opalex Diffuser:** Translucent white, break resistant polycarbonate Lexan®. Installs and removes with twist-lock actions; no tools required.
 - Frame-In Kit:** (1102P1 standard frame shown). Other frames listed above and shown on the right. See Frame-In Kit specification sheets for more details.
 - Meets NEC® requirements for Spas and Hot Tubs.

Labels

U.L. (Suitable for Wet Locations - Covered Ceiling); I.B.E.W.
 U.S. Patent Numbers: 4,313,154; 4,327,403; 5,045,985
 Other U.S. & Foreign Patents Pending

WE RESERVE THE RIGHT TO CHANGE DETAILS OF DESIGN, MATERIALS, AND FINISH.

LIGHTOLIER a GENLYTE THOMAS company.
 631 Airport Road, MA 02720
 (508) 679-8131 • Fax (508) 674-4710
 Copyright 2001

LIGHTOLIER®