

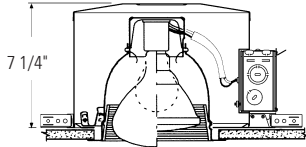


**6 3/4" Aperture
Basic Baffle
Reflector Trim**

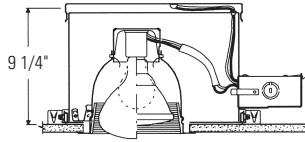
**Lytecaster®
Recessed
Downlighting**

1176
C0101

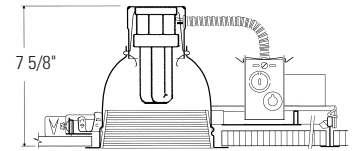
TYPE:



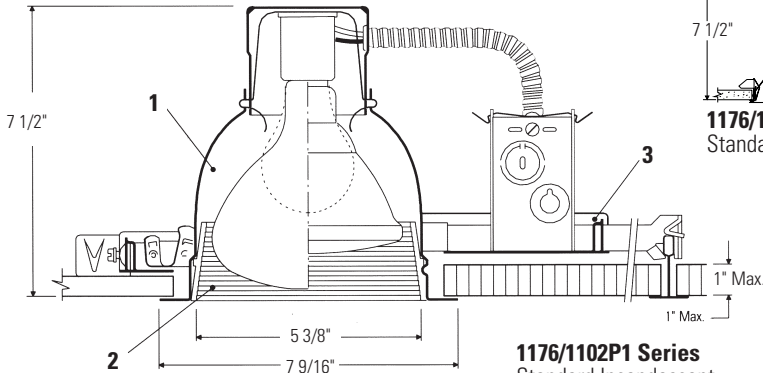
1176/1104ICX/N
Lytefning™ AirSeal® Insulated Ceiling



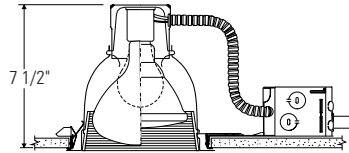
1176/1100 DEEP IC Series
Incandescent Insulated Ceiling



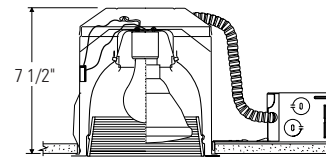
1176/1102D Series
1176/1102F Series
1176/1910XDH1 Series
1176/1910XFH1 Series
1176/1100FT Series
Fluorescent/Non-IC



1176/1102P1 Series
Standard Incandescent



1176/1103R
Standard Non-IC Remodeler Ring



1176/1104IC/N
Lytefning™ Convertible IC/Non-IC

Complete Fixture consists of FRAME-IN KIT & REFLECTOR TRIM. Select each separately.

Reflector Trim	Frame-In Kit—See Individual Frame-In Kit Specification Sheets							
	Incandescent				Fluorescent			
	Frame-In Kit	Installation Type	Lamping	Height	Frame-In Kit	Installation Type	Lamping	Height
□ 1176 Black Baffle White Flange	□ 1102P1	Non-IC	100W A19	7 1/2"	□ 1102F1	Non-IC		7 5/8"
	□ 1103R	Non-IC	150W PAR38, BR40	7 1/2"	□ 1102FH1	Non-IC		7 5/8"
	□ 1100IC	IC	40W A19	7 5/16"	□ 1102FH2	Non-IC		7 5/8"
	□ 1100AICM	IC	90W PAR38	7 5/16"	□ 1102FH1R	Non-IC Remodeler	13W (GX23-2)	7 5/8"
	□ 1100DICM	IC	100W BR40	9 1/4"	□ 1104F1R	Non-IC Remodeler	1 Lamp Quad Tube	7 1/2"
	□ 1100DAICM	IC		9 1/4"	□ 1104F1/N	IC		7 1/2"
	□ 1104ICX/N	IC	52W A19 90W BR40, PAR 38	7 1/4"	□ 1910XFH1	Conversion		7 5/8"
	□ 1104IC/N	IC	40W A19	7 1/2"	□ 1102D1	Non-IC		7 5/8"
	□ 1104ICR	IC Remodeler	65W BR30, BR40	7 1/2"	□ 1102DH1	Non-IC		7 5/8"
	□ 1104IC/N	Non-IC	60W A19	7 1/2"	□ 1102DH1R	Non-IC Remodeler	2 Lamp Quad Tube	7 5/8"
	□ 1104ICR	Non-IC Remodeler	90W PAR38 85W BR30 120W BR40	7 1/2"	□ 1910XDH1	Conversion	13W (GX23-2)	7 5/8"
					□ 1102DM1	Non-IC Emergency		7 5/8"
					□ 1102DM2	Non-IC Emergency		7 5/8"
					□ 1100FTU	Non-IC	1 Lamp Triple Tube	7 5/8"
				□ 1100AICMFT	AirSeal-IC	26W or 32W(GX24q-3)	6 7/8"	

Features

- 1. Reflector:** Hydroformed aluminum, .040" thick (18 ga.); non-yellowing, scuff-resistant Perma White finish with 88% reflectance; white trim flange.
- 2. Step Baffle:** Molded high-heat phenolic. Stepped conical surface for low brightness; matte black or gloss white finish.
- 3. Frame-In Kit:** (1102P1 standard frame shown). Other frames listed above and shown on the right. See Frame-In Kit specification sheets for more details.

Labels

U.L. (Suitable for Damp Locations); I.B.E.W.
U.S. Patent Numbers: 4,313,154; 4,327,403; 5,045,985
Other U.S. & Foreign Patents Pending

WE RESERVE THE RIGHT TO CHANGE DETAILS OF DESIGN, MATERIALS, AND FINISH.

LIGHTOLIER a GENLYTE THOMAS company.
631 Airport Road, MA 02720
(508) 679-8131 • Fax (508) 674-4710

Copyright 2001

LIGHTOLIER®