



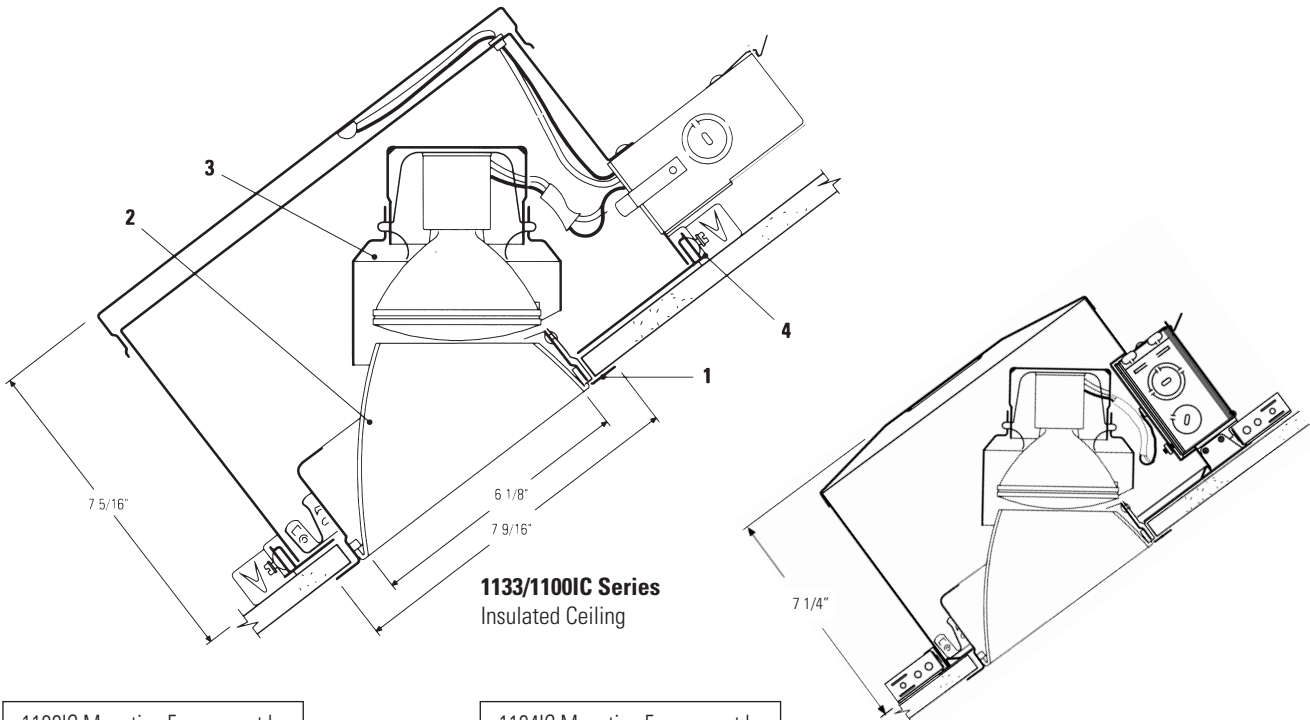
**6 3/4" Aperture**  
**Steep Slope Ceiling Reflector Trim**  
**30° - 45° Angle, 7/12 - 12/12 Pitch**

**Lytecaster®**  
**Recessed**  
**Downlighting**

**1133**

TYPE:

C0101



**1133/1100IC Series**  
 Insulated Ceiling

**1133/1104ICX/N**  
 LyteSeal™ AirSeal® Insulated Ceiling

1100IC Mounting Frame must be installed with the J-Box on the "UPHILL" side.

1104IC Mounting Frame must be installed with the J-Box on the "DOWNHILL" side.

**Complete Fixture consists of FRAME-IN KIT & REFLECTOR TRIM. Select each separately.**

Reflector Trim	Frame-In Kit-See Individual Frame-In Kit Specification Sheets.			
	Incandescent			
	Frame-In Kit	Installation Type	Lamping	Height
<input type="checkbox"/> <b>1133</b> Black Step Baffle	<input type="checkbox"/> <b>1100IC</b>	IC		7 5/16"
<input type="checkbox"/> <b>1133WH</b> Gloss White Step Baffle	<input type="checkbox"/> <b>1100AICM</b>	IC	75W PAR 30 (Short Neck)	7 5/16"
<input type="checkbox"/> <b>1133GD</b> Specular Alzak® Gold	<input type="checkbox"/> <b>1104ICX/N</b>	IC		7 1/4"
<input type="checkbox"/> <b>1133CL</b> Specular Alzak® Clear				
<input type="checkbox"/> <b>1133BK</b> Specular Alzak® Black				

**Features**

- 1. Housing:** Hydroformed aluminum, .040" thick; white trim flange.
- 2. Aperture:** Conical aluminum step baffle, matte black or gloss white finish; or hydroformed aluminum cone, specular Alzak® finish. For ceiling slopes 30° - 45° angle, 7/12 - 12/12 pitch. Baffle or cone must be removed for lamping.
- 3. Lamp Housing:** Hydroformed aluminum, .040" thick; permits adjustment ±7° vertical for straight downlighting.
- 4. Frame-In Kit:** See Frame-In Kit specification sheets for more details.

**Options & Accessories**

**Extra Wide Flange Trim Ring:** 1954 - 8 5/8" O.D.

**Labels**

U.L. (Suitable for Damp Locations); I.B.E.W.  
 U.S. Patent Numbers: 4,313,154; 5,457,617; 5,045,985

WE RESERVE THE RIGHT TO CHANGE DETAILS OF DESIGN, MATERIALS, AND FINISH.

Alzak® is a registered trademark of The Aluminum Company of America.

**LIGHTOLIER a GENLYTE THOMAS company.**

631 Airport Road, MA 02720  
 (508) 679-8131 • Fax (508) 674-4710

Copyright 2001

**LIGHTOLIER®**

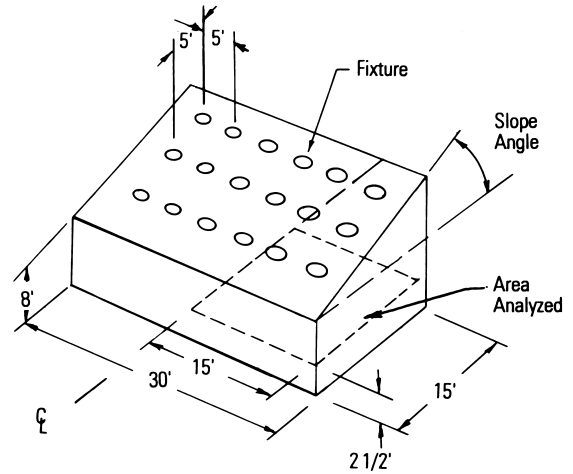
### Footcandles 2 1/2' Above the Floor

Fixture mounted on 5' x 5' centers (horizontally) in 15' x 30' room with sloped ceiling.

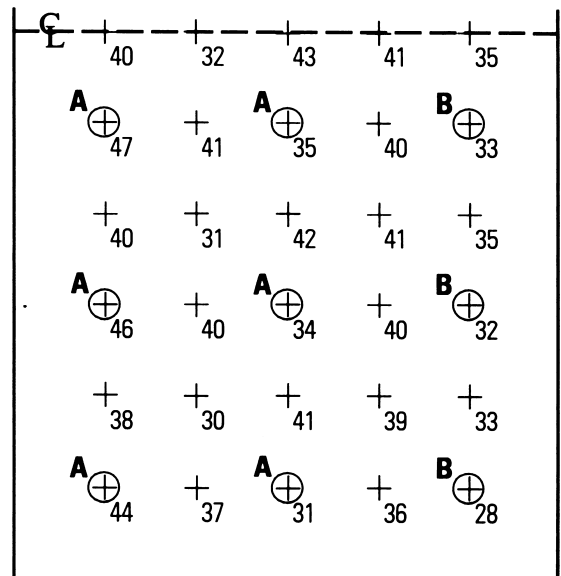
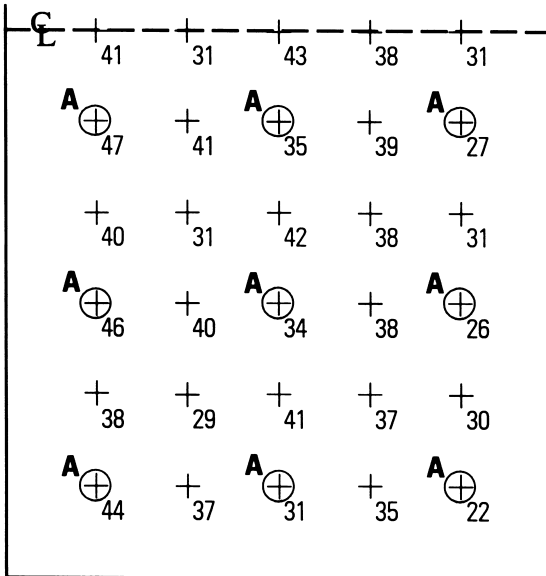
Room reflectances: 80% ceiling, 50% walls, 20% floor.

**A** = 75W PAR30 FL (Flood)

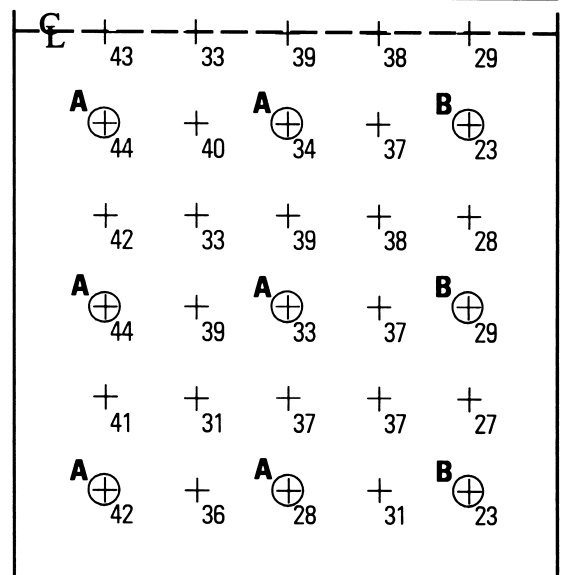
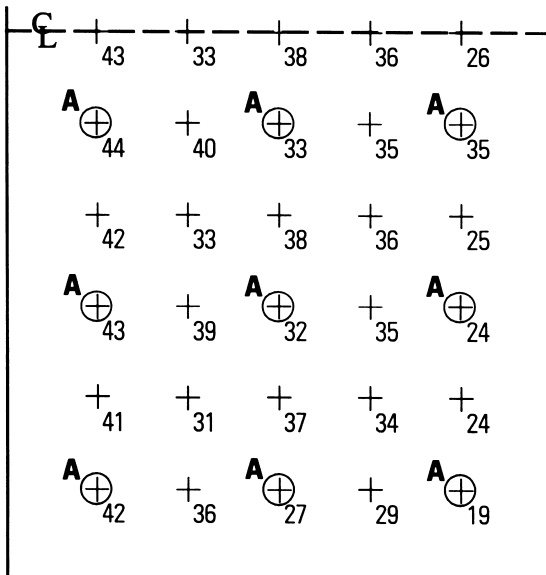
**B** = 75W PAR30 NFL (Narrow Flood)



### 30 Ceiling Slope



### 45 Ceiling Slope



LIGHTOLIER

Data calculated with GENESYS using bare lamp photometrics. Fixture spacing exceeding 5' may cause lighting under lowest areas.

To convert lighting data for a lower wattage incandescent lamp of the same type, multiply the footcandle (or candlepower) values by the ratio of the lumens of the two lamps. The coefficients of utilization remain the same.