

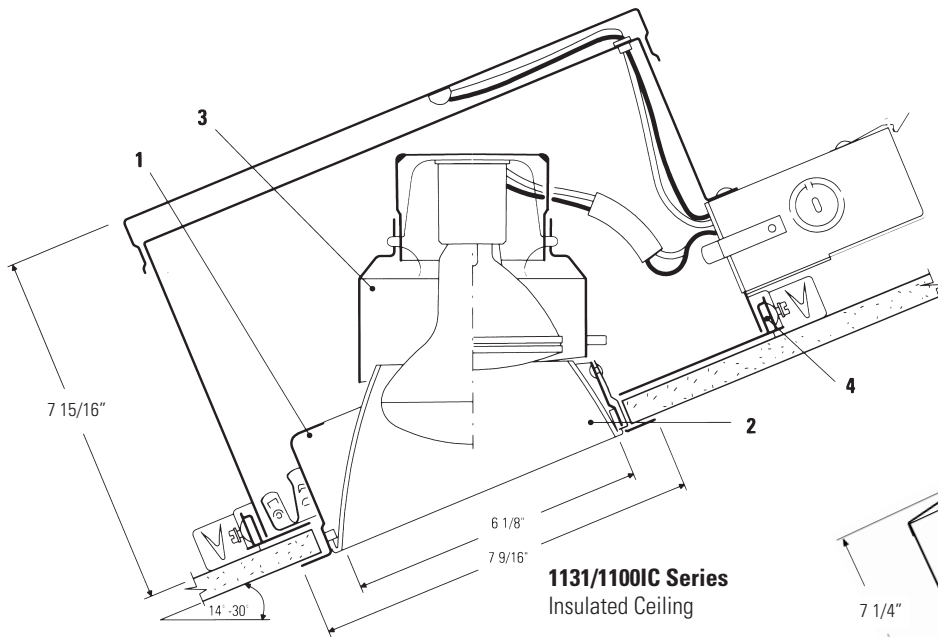


**6 3/4" Aperture**  
**Shallow Slope Ceiling Reflector Trim**  
**14° - 30° Angle, 3/12 - 7/12" Pitch**

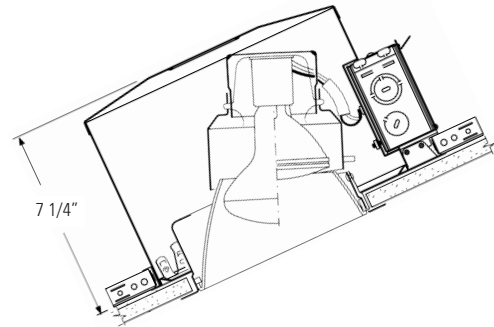
**Lytecaster®**  
**Recessed**  
**Downlighting**

**1131**  
 C0101

TYPE:



**1131/1100IC Series**  
 Insulated Ceiling



**1131/1104ICX/N**  
 LyteFining™ AirSeal® Insulated Ceiling

1100IC Mounting Frame must be installed with the J-Box on the "UPHILL" side.

1104IC Mounting Frame must be installed with the J-Box on the "DOWNHILL" side.

**Complete Fixture consists of FRAME-IN KIT & REFLECTOR TRIM. Select each separately.**

Reflector Trim	Frame-In Kit-See Individual Frame-In Kit Specification Sheets.			
	Frame-In Kit	InstallationType	Lamping	Height
<input type="checkbox"/> <b>1131</b> Black Step Baffle	<input type="checkbox"/> <b>1100IC</b> <input type="checkbox"/> <b>1100AICM</b>	IC	75W PAR30 (Short Neck)	7 5/16"
<input type="checkbox"/> <b>1131WH</b> White Step Baffle		IC	65W BR30	7 5/16"
<input type="checkbox"/> <b>1131GD</b> Specular Alzak® Gold	<input type="checkbox"/> <b>1104ICX/N</b>	IC	75W PAR30 (Short Neck) 85W BR30	7 1/4"
<input type="checkbox"/> <b>1131CL</b> Specular Alzak® Clear				
<input type="checkbox"/> <b>1131BK</b> Specular Alzak® Black				

**Features**

- 1. Housing:** Hydroformed aluminum, .040" thick; white trim flange.
- 2. Aperture:** Conical aluminum step baffle, matte black or gloss white finish; or hydroformed aluminum cone, specular Alzak® finish. For ceiling slopes 14° - 30° angle, 3/12 - 7/12 pitch.
- 3. Lamp Housing:** Hydroformed aluminum, .040" thick; permits ± 7° vertical adjustment for straight downlighting.
- 4. Frame-In Kit:** See Frame-In Kit specification sheets for more details.

**Options & Accessories**

**Extra Wide Flange Trim Ring:** 1954 - 8 5/8" O.D.

**Labels**

U.L. (Suitable for Damp Locations); I.B.E.W.  
 U.S. Patent Numbers: 4,313,154; 5,045,985; 5,457,617

WE RESERVE THE RIGHT TO CHANGE DETAILS OF DESIGN, MATERIALS, AND FINISH.  
 Alzak® is a registered trademark of The Aluminum Company of America.

**LIGHTOLIER a GENLYTE THOMAS company.**  
 631 Airport Road, MA 02720  
 (508) 679-8131 • Fax (508) 674-4710

Copyright 2001

**LIGHTOLIER®**

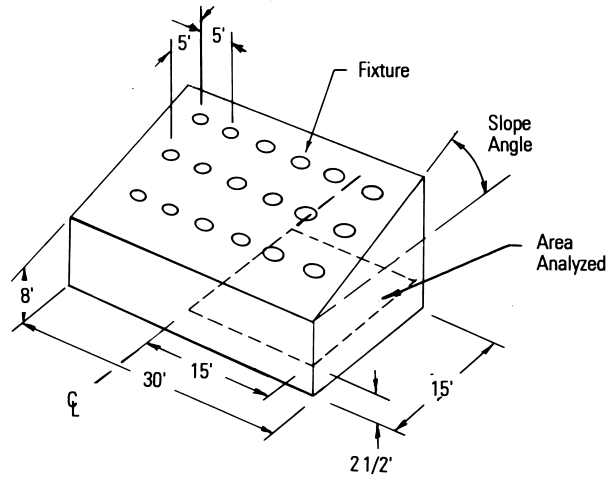
#### Footcandles 2 1/2' Above The Floor

Fixtures mounted on 5' x 5' centers (horizontally) in 15' x 30' room with sloped ceiling.

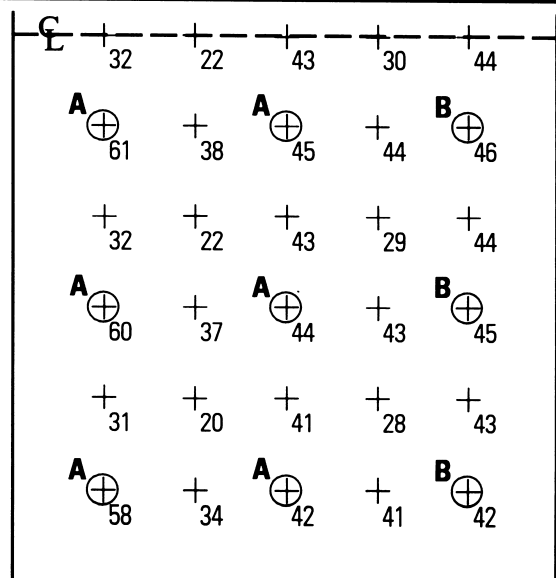
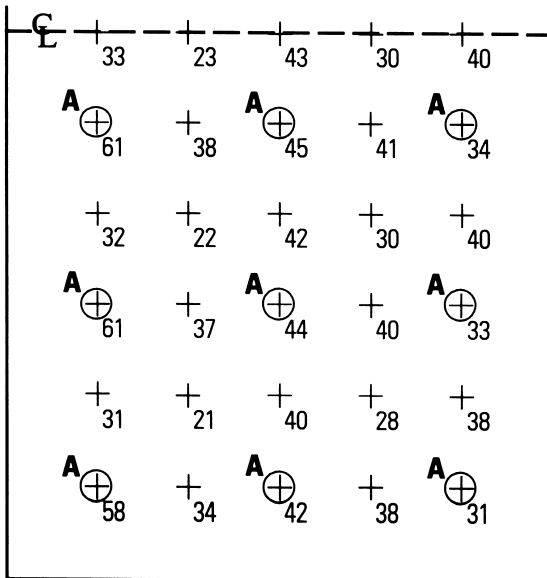
Room reflectances: 80% ceiling, 50% walls, 20% floor.

**A** = 75W PAR30 FL (Flood)

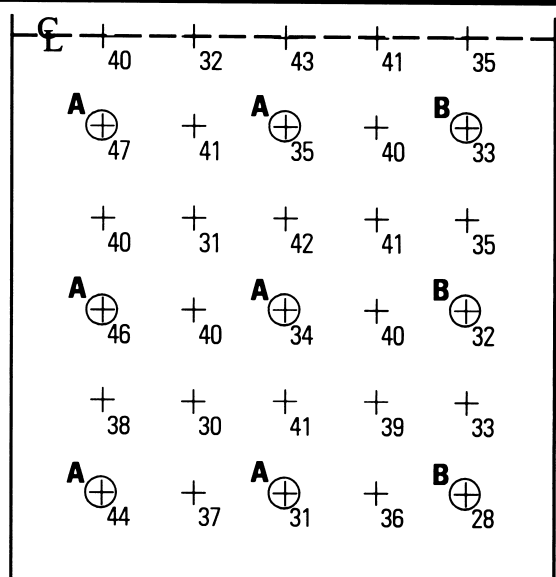
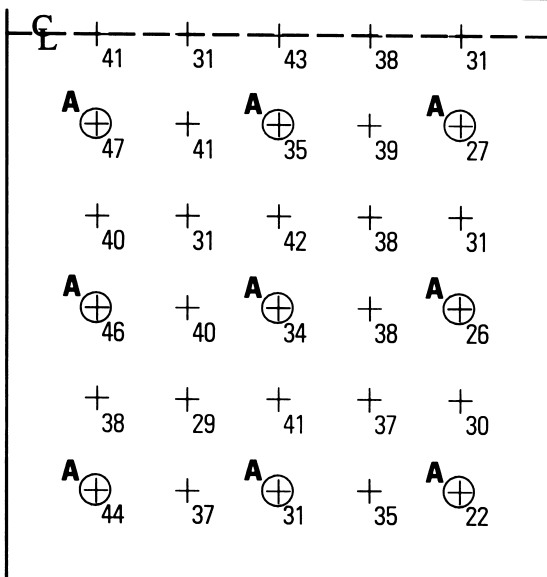
**B** = 75W PAR30 NFL (Narrow Flood)



#### 15 Ceiling Slope



#### 30 Ceiling Slope



Data calculated with GENESYS using bare lamp photometrics. Fixture spacing exceeding 5' may cause uneven lighting under lowest ceiling areas.

To convert lighting data for a lower wattage incandescent lamp of the **same type**, multiply the footcandle (or candlepower) values by the ratio of the lumens of the two lamps. The coefficients of utilization remain the same.