

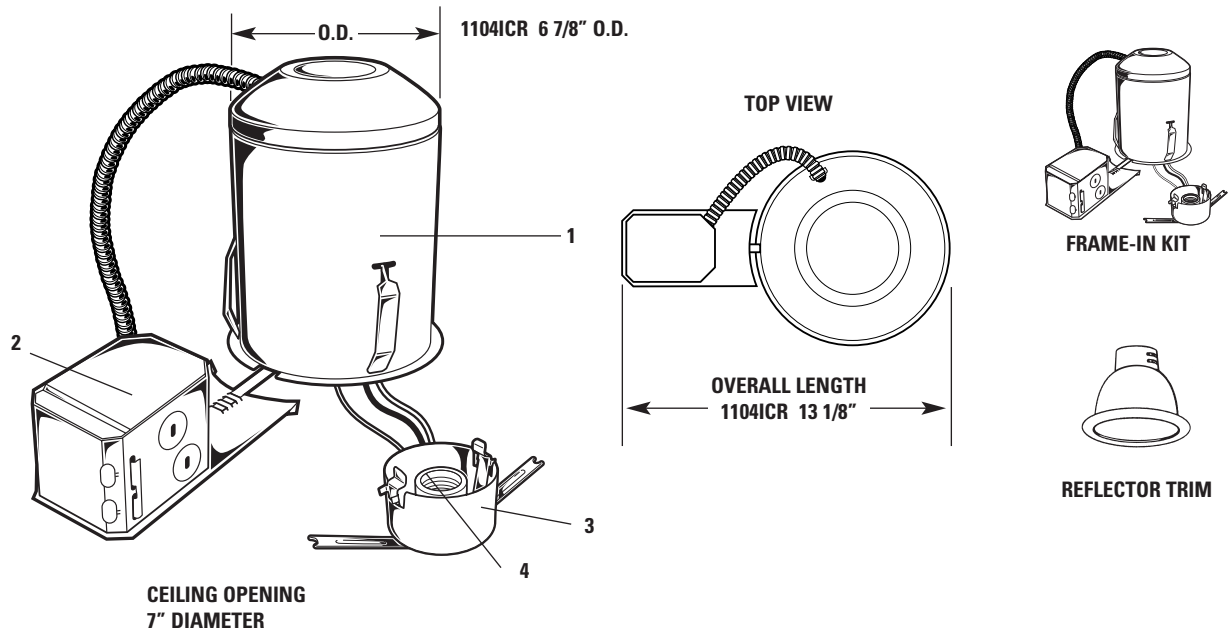
6 3/4" Aperture
Lyte[™] Incandescent Convertible
IC/Non-IC Remodeler Frame-in Kit

Lytecaster[®]
Recessed
Downlighting

1104ICR

C0101

TYPE:



6 3/4" APERTURE

Reflector Trims - See individual Reflector Trim Specification Sheets.

Frame - In Kit	Open Downlight						Eyeball	Enclosed Diffusers	Wall Washer
	Alzak [®] Reflector	Alzak [®] Cone	Satin Cone	Cross Blade	Baffles	Basic White			
<input type="checkbox"/> 1104ICR	<input type="checkbox"/> 1143 <input type="checkbox"/> 1144	<input type="checkbox"/> 1112 <input type="checkbox"/> 1113 <input type="checkbox"/> 1113BK <input type="checkbox"/> 1113WH	<input type="checkbox"/> 1108 <input type="checkbox"/> 1110	<input type="checkbox"/> 1132 <input type="checkbox"/> 1132A	<input type="checkbox"/> 1105 <input type="checkbox"/> 1105WH <input type="checkbox"/> 1176 <input type="checkbox"/> 1176WH <input type="checkbox"/> 1176PB <input type="checkbox"/> 1179M1 <input type="checkbox"/> 1179WH	<input type="checkbox"/> 1170M1 <input type="checkbox"/> 1171	<input type="checkbox"/> 1182	<input type="checkbox"/> 1121 <input type="checkbox"/> 1124 <input type="checkbox"/> 1126* <input type="checkbox"/> 1128* <input type="checkbox"/> 1134* <input type="checkbox"/> 1177SH* <input type="checkbox"/> 1178SH* <input type="checkbox"/> 1178LX	<input type="checkbox"/> 1185 <input type="checkbox"/> 1186* <input type="checkbox"/> 1186WH*

* For Non-IC applications only.

Features

- Housing:** .032 (#20 ga.) Aluminum. U.L. listed convertible IC/NON-IC. Integral retaining spring secures housing to ceilings up to 2" thick. Removable for access to junction box and ceiling plenum.
- Junction Box:** 2 1/2" X 2 1/2" X 3 1/2" (21 cu. in.) .032 (#22 ga.) galvanized steel. U.L. listed for 90°C supply wire. Integral cable clamps permit attachment of non-metallic (#12 or #14 ga.) Romex[®] cable without tools or additional connectors.
- Socket Housing:** Impact extruded aluminum or galvanized steel. Attached trim retaining spring secures trim to any height on housing wall.

- Socket:** Porcelain medium base: nickel plated screw shell. Pre-wired with #18 ga. SF1 (300 VOLT 200°C) leads to junction box.
- Thermal protector:** Meets NEC and U.L. requirements.

Options & Accessories

AirSeal[®] Kit: AS301

Labels

U.L.(Type IC/NON-IC Convertible; Suitable for Damp Locations); U.S. + Foreign Patents Pending.

WE RESERVE THE RIGHT TO CHANGE DETAILS OF DESIGN, MATERIALS, AND FINISH.
 Alzak[®] is a registered trademark of The Aluminum Company of America.
 Romex[®] is a registered Trademark of General Cable Industries Inc.

LIGHTOLIER a GENLYTE THOMAS company.
 631 Airport Road, MA 02720
 (508) 679-8131 • Fax (508) 674-4710

Copyright 2001

LIGHTOLIER[®]