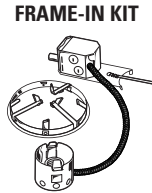
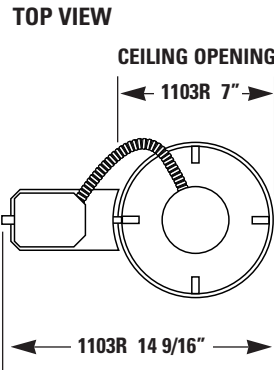
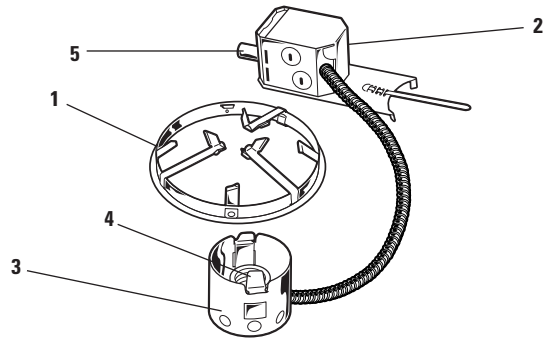


6³/₄" Aperture
Lyte[®]ning Incandescent
Non-IC Remodeler Frame-In Kit

Lytecaster[®]
Recessed
Downlighting

1103R
 C0101

TYPE:



6 3/4" APERTURE

Reflector Trims - See individual Reflector Trim Specification Sheets.

Frame - In Kit	Open Downlight					Recessed Adjustable:	Enclosed Diffusers	Wall Washer		
	Alzak [®] Reflector	Alzak [®] Cone	Cross Blade	Baffles	Basic White					
<input type="checkbox"/> 1103R	<input type="checkbox"/> 1143 <input type="checkbox"/> 1144 <input type="checkbox"/> 1145 <input type="checkbox"/> 1146 <input type="checkbox"/> 1149 <input type="checkbox"/> 1150 <input type="checkbox"/> 1151	<input type="checkbox"/> 1112 <input type="checkbox"/> 1113 <input type="checkbox"/> 1113BK <input type="checkbox"/> 1113WH Satin Cone: <input type="checkbox"/> 1108 <input type="checkbox"/> 1110	<input type="checkbox"/> 1132	<input type="checkbox"/> 1105 <input type="checkbox"/> 1105WH <input type="checkbox"/> 1176 <input type="checkbox"/> 1176WH <input type="checkbox"/> 1176PB <input type="checkbox"/> 1179M1 <input type="checkbox"/> 1179WH	<input type="checkbox"/> 1170M1 <input type="checkbox"/> 1171	Line Voltage <input type="checkbox"/> 1127 <input type="checkbox"/> 1127WH <input type="checkbox"/> 1127BK <input type="checkbox"/> 1129 Low Voltage <input type="checkbox"/> 1152 <input type="checkbox"/> 1155 <input type="checkbox"/> 1155WH Eyeball: <input type="checkbox"/> 1122 <input type="checkbox"/> 1122WH	<input type="checkbox"/> 1129CL <input type="checkbox"/> 1129GD <input type="checkbox"/> 1129BK <input type="checkbox"/> 1129WH <input type="checkbox"/> 1161 <input type="checkbox"/> 1161WH <input type="checkbox"/> 1158 <input type="checkbox"/> 1123 <input type="checkbox"/> 1123WH	<input type="checkbox"/> 1137 <input type="checkbox"/> 1138 <input type="checkbox"/> 1147 <input type="checkbox"/> 1148 <input type="checkbox"/> 1163 <input type="checkbox"/> 1164 <input type="checkbox"/> 1160 <input type="checkbox"/> 1182 <input type="checkbox"/> 1182PB	<input type="checkbox"/> 1121 <input type="checkbox"/> 1124 <input type="checkbox"/> 1126 <input type="checkbox"/> 1128 <input type="checkbox"/> 1134 <input type="checkbox"/> 1177SH <input type="checkbox"/> 1178SH	<input type="checkbox"/> 1135 <input type="checkbox"/> 1135WH <input type="checkbox"/> 1185 <input type="checkbox"/> 1186 <input type="checkbox"/> 1186WH

Features

- 1. Mounting Ring:** .032 (#22 ga.) galvanized steel. Accommodates existing ceilings up to 2" thick. Attaches securely to any type of ceiling material without tools using (3) mounting straps provided. Push-in/twist-out clips hold reflector flush to ceiling. Includes adhesive backed aperture template.
- 2. Junction Box:** 2 1/2" X 2 1/2" X 3 1/2" (21 cu. in.) .032 (#22 ga.) galvanized steel. U.L.listed for 90° C supply wire. Integral cable clamps permit attachment of non-metallic (#12 or #14 ga.) Romex[®] cable without tools or additional connectors. Attaches to mounting ring without tools.
- 3. Socket Housing:** Impact extruded aluminum or galvanized steel.

- 4. Socket:** Porcelain medium base; nickel plated screw shell. Pre-wired with #18 ga. SF1 (300 VOLT 200° C) leads to junction box.
- 5. Thermal Protector:** Meets NEC and U.L. requirements. Do not install insulation within 3 inches of fixture sides or wiring compartment nor above fixture in such a manner as to entrap heat.

Options & Accessories

- Thermal Protector Replacement:** 1970
Replacement Clips (Set of 3): 1997

Labels

U.L.(Suitable for Damp Locations);U.S.+Foreign Patents Pending.

WE RESERVE THE RIGHT TO CHANGE DETAILS OF DESIGN, MATERIALS, AND FINISH.
 Alzak[®] is a registered trademark of The Aluminum Company of America.
 Romex[®] is a registered Trademark of General Cable Industries Inc.

LIGHTOLIER a GENLYTE THOMAS company.
 631 Airport Road, MA 02720
 (508) 679-8131 • Fax (508) 674-4710

Copyright 2001

LIGHTOLIER