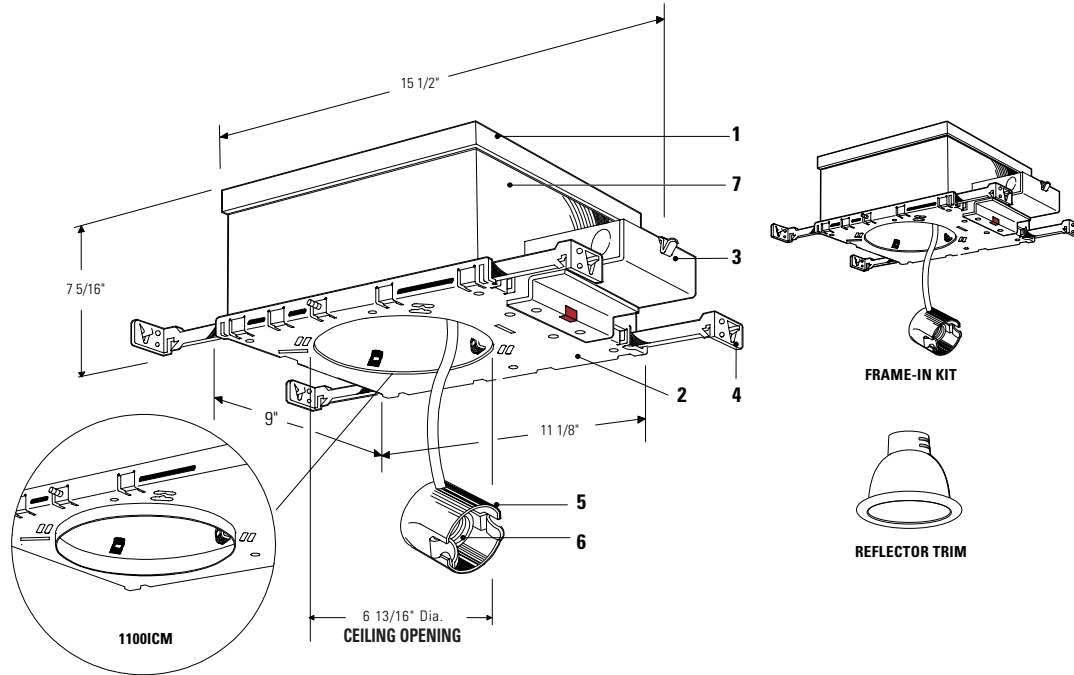


**6 3/4" Aperture  
Incandescent  
Insulated Ceiling Frame-In Kit**

**Lytecaster®  
Recessed  
Downlighting**

**1100IC**  
A0101

TYPE:



**Complete Fixture consists of REFLECTOR TRIM & FRAME-IN KIT. Select each separately.**

Frame-In Kit	Reflector Trims — See Individual Reflector Trim Specification Sheets									
	Open Downlight						Adjustable		Enclosed Diffusers	Wall Washer
<input type="checkbox"/> 1100IC	Alzak®	Satin Cone	Sloped Ceiling	Baffles	Basic White	Cross Blade	Recessed Line Volt.	Recessed Low Volt.		
<input type="checkbox"/> 1100ICM 3/8" Integral Plaster Lip	Reflector: <input type="checkbox"/> 1143 <input type="checkbox"/> 1144 Cone: <input type="checkbox"/> 1112 <input type="checkbox"/> 1113 <input type="checkbox"/> 1113BK <input type="checkbox"/> 1113WH	<input type="checkbox"/> 1108 <input type="checkbox"/> 1110	<input type="checkbox"/> 1131 <input type="checkbox"/> 1131WH <input type="checkbox"/> 1131GD <input type="checkbox"/> 1131CL <input type="checkbox"/> 1131BK <input type="checkbox"/> 1133 <input type="checkbox"/> 1133WH <input type="checkbox"/> 1133GD <input type="checkbox"/> 1133CL <input type="checkbox"/> 1133BK	<input type="checkbox"/> 1105 <input type="checkbox"/> 1105WH <input type="checkbox"/> 1175 <input type="checkbox"/> 1176 <input type="checkbox"/> 1176WH <input type="checkbox"/> 1179M1 <input type="checkbox"/> 1179WH	<input type="checkbox"/> 1170M1 <input type="checkbox"/> 1171	<input type="checkbox"/> 1132	<input type="checkbox"/> 1129 <input type="checkbox"/> 1129WH <input type="checkbox"/> 1129CL <input type="checkbox"/> 1129GD <input type="checkbox"/> 1129BK Eyeball <input type="checkbox"/> 1122 <input type="checkbox"/> 1122WH <input type="checkbox"/> 1123 <input type="checkbox"/> 1123WH <input type="checkbox"/> 1182	<input type="checkbox"/> 1155 <input type="checkbox"/> 1155WH <input type="checkbox"/> 1158 <input type="checkbox"/> 1160 <input type="checkbox"/> 1161 <input type="checkbox"/> 1161WH <input type="checkbox"/> 1163 <input type="checkbox"/> 1164	<input type="checkbox"/> 1121 <input type="checkbox"/> 1124 <input type="checkbox"/> 1126 <input type="checkbox"/> 1128 <input type="checkbox"/> 1134 <input type="checkbox"/> 1177SH <input type="checkbox"/> 1178SH	<input type="checkbox"/> 1185 <input type="checkbox"/> 1186 <input type="checkbox"/> 1186WH

**Features**

- Housing:** 0.026" (#20 ga.) galvanized steel. U.L. listed for direct contact with thermal insulation. Access door for inspection of junction box.
- Mounting Frame:** 0.036" (#20 ga.) galvanized steel. Accommodates all ceilings up to 1" thick. ICM version has 3/8" deep integral lip. Four slots are positioned 90° apart to simplify alignment. Push-in/twist-out rotoclips hold reflector flush to ceiling.
- Junction Box:** 2" x 4" x 4", 0.063" (#14 ga.) galvanized steel. U.L. listed for, maximum of 6 No. 12 ga., 90°C through branch circuit conductors. Quick release "L" shaped cover for outside access to wiring. Access door inside of housing allows easy inspection of wiring without removal of housing. Integral cable clamps permit attachment of nonmetallic Romex® or armored cable without the need for additional connectors.
- Mounting Bars:** 0.059" (#16 ga.) galvanized steel. 13" long bars extend to 27", rotatable and lockable, with integral T-bar tabs. Attach to wood joist or T-bar ceilings without need of accessories.
- Socket Housing:** Impact extruded aluminum or galvanized steel.
- Socket:** Porcelain medium base; nickel plated screw shell. Pre-wired with #18 ga. SF1 leads to junction box.
- Thermal Protector:** Meets NEC and U.L. requirements.

**Options & Accessories**

- Mounting Bars:** 1976 - 13" set of (4)  
**Concealed Spline Ceiling Kit:** 1965 - set of (4), 1 1/2" to 2 1/2" Mtg. Ht.  
**Plaster Ceiling Ring:** 1961 - 7/8" depth for wet plaster ceilings. Not for use with ICM housing.  
**Extra-Thick Ceiling Mounting Ring:** 1967 - up to 2" thick ceilings.

**Labels**

U.L. (Type I.C., Suitable for Damp Locations); I.B.E.W.  
 U.S. Patent No.: 4,751,624; 4,313,154; 5,045,985

WE RESERVE THE RIGHT TO CHANGE DETAILS OF DESIGN, MATERIALS, AND FINISH.

Alzak® is a registered trademark of The Aluminum Company of America.  
 Romex® is a registered Trademark of General Cable Industries Inc.

**LIGHTOLIER a GENLYTE THOMAS company.**  
 631 Airport Road, MA 02720  
 (508) 679-8131 • Fax (508) 674-4710

Copyright 2001

**LIGHTOLIER®**