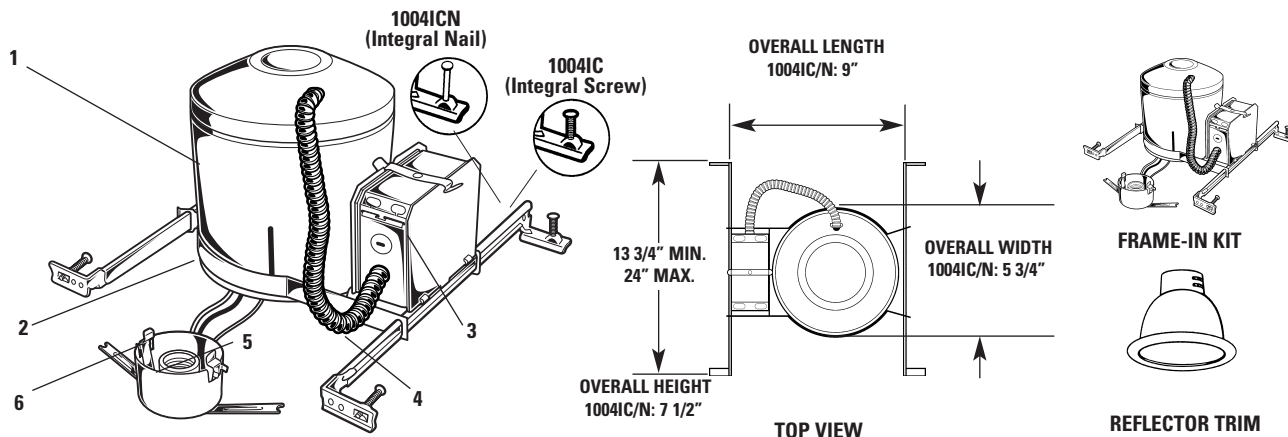


5" Apertures
Lyte[®] Incandescent
Convertible IC/Non-IC Frame-In Kit

Lytecaster[®]
Recessed
Downlighting

1004IC
 C0101

TYPE:



5" APERTURE: Complete Fixture consists of Reflector Trim & Frame-In Kit. Select each separately.

Reflector Trims - See Individual Reflector Trim Specification Sheets.

Frame - In Kit	Open Downlight					Eyeball	Enclosed Diffusers	Wall Washer
	Alzak [®] Reflector	Alzak [®] Cone	Satin Cone	Baffles	Basic White			
<input type="checkbox"/> 1004IC <input type="checkbox"/> 1004ICN	<input type="checkbox"/> 1045 <input type="checkbox"/> 1046	<input type="checkbox"/> 1012 <input type="checkbox"/> 1013 <input type="checkbox"/> 1013BK <input type="checkbox"/> 1013WH	<input type="checkbox"/> 1008 <input type="checkbox"/> 1010	<input type="checkbox"/> 1005 <input type="checkbox"/> 1005WH <input type="checkbox"/> 1007 <input type="checkbox"/> 1007WH <input type="checkbox"/> 1076 <input type="checkbox"/> 1076WH	<input type="checkbox"/> 1071	<input type="checkbox"/> 1022 <input type="checkbox"/> 1022WH <input type="checkbox"/> 1082	<input type="checkbox"/> 1021* <input type="checkbox"/> 1024*	<input type="checkbox"/> 1085*

* For Non-IC applications only.

Features

- Housing:** .032 (#20 ga.) aluminum. UL listed convertible IC/NON-IC. 2" vertical adjustment in ceiling. Can be removed for access to junction box and ceiling plenum. AirSeal[®] housing minimizes air leakage to less than 2 CFM at 1.57 PSF (or 75pa), which complies with Model Energy Code (Section 602.3.3) and Washington State Energy Code (Section 502.4) and reduces heat loss and condensation in ceiling.
- Mounting Frame:** .048 (#18 ga.) galvanized steel. Locks into position along length of mounting bars with locking spring and bendable slot. (3) slots 90° apart simplify alignment.
- Junction Box:** 2" X 4" X 3 1/2" (22 cu. in.) .032 (#22 ga.) galvanized steel. UL listed for maximum 6 (#12 ga.) 1004IC/N 90°C through branch circuit conductors. Integral cable clamps permit attachment of non-metallic (#12 or #14 ga.) Romex[®] cable without tools or additional connectors.
- Mounting Bars:** .059 (#16 ga.) galvanized steel. Bars pivot for easy attachment and wire-in below ceiling line. Bars extend to accommodate 16" to 24" O.C. joist spacing. 1004IC features integral self-tapping phillips screws for secure attachment to wood or metal construction. The 1004ICN features integral nails for secure attachment to wood. Both attach to T-bar ceilings without the need of accessories.

- Socket Housing:** Impact extruded aluminum or galvanized steel. Attached trim retaining spring secures trim to any eight on housing wall.
- Socket:** Porcelain medium base: nickel plated screw shell. Pre-wired with #18 ga. SF1 (300 VOLT 200° C) leads to junction box.
- Thermal Protector:** Meets NEC and UL requirements.

Options & Accessories

AirSeal[®] Kit: AS301
NOTE: Use only if factory installed tape or knockouts are removed from vertical adjustment slots in housing wall.

Labels

UL (Type IC/NON-IC Convertible; Suitable for Damp Locations); U.S. and Foreign Patents Pending. Complies with Air Leakage Requirements stated in the Model Energy Code and the Washington State Energy Code.

WE RESERVE THE RIGHT TO CHANGE DETAILS OF DESIGN, MATERIALS, AND FINISH.
 Alzak[®] is a registered trademark of The Aluminum Company of America.
 Romex[®] is a registered Trademark of General Cable Industries Inc.

LIGHTOLIER a GENLYTE THOMAS company.
 631 Airport Road, MA 02720
 (508) 679-8131 • Fax (508) 674-4710

Copyright 2001

LIGHTOLIER[®]