

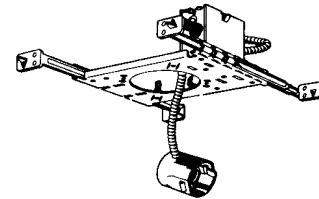
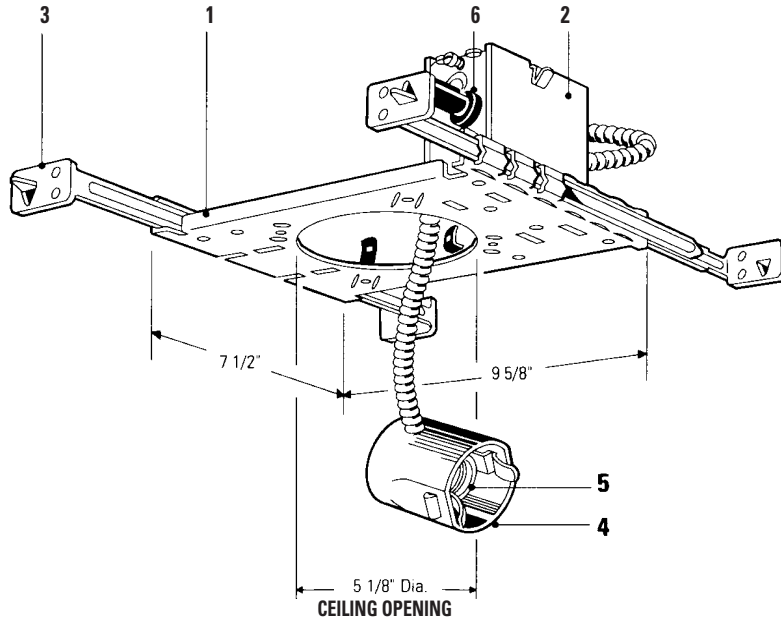
**5" Aperture  
Incandescent  
Standard Frame-In Kit**

**Lytecaster®  
Recessed  
Downlighting**

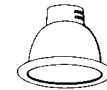
**1002P1**

B0101

TYPE:



FRAME-IN KIT



REFLECTOR TRIM

**Complete Fixture consists of REFLECTOR TRIM & FRAME-IN KIT. Select each separately.**

Frame-In Kit	Reflector Trims — See individual Reflector Trim Specification Sheets.									
	Open Downlight						Adjustable		Enclosed Diffusers	Wall Washer
	Alzak® Reflector	Alzak® Cone	Satin Cone	Baffles	Basic White	Pinhole	Recessed	Eyeball		
<input type="checkbox"/> 1002P1	<input type="checkbox"/> 1045 <input type="checkbox"/> 1046	<input type="checkbox"/> 1012 <input type="checkbox"/> 1013 <input type="checkbox"/> 1013BK <input type="checkbox"/> 1013WH	<input type="checkbox"/> 1008 <input type="checkbox"/> 1010	<input type="checkbox"/> 1005 <input type="checkbox"/> 1005WH <input type="checkbox"/> 1076 <input type="checkbox"/> 1076WH	<input type="checkbox"/> 1071	<input type="checkbox"/> 1011	<input type="checkbox"/> 1027 <input type="checkbox"/> 1027BK <input type="checkbox"/> 1027WH <input type="checkbox"/> 1038 <input type="checkbox"/> 1048	<input type="checkbox"/> 1022 <input type="checkbox"/> 1023 <input type="checkbox"/> 1082	<input type="checkbox"/> 1021 <input type="checkbox"/> 1024 <input type="checkbox"/> 1078	<input type="checkbox"/> 1035 <input type="checkbox"/> 1035WH <input type="checkbox"/> 1085 <input type="checkbox"/> 1095 <input type="checkbox"/> 1096

**Features**

- 1. Mounting Frame:** .036" (#20 ga.) galvanized steel. Accommodates all ceilings up to 1" thick. Four slots are positioned 90° apart to simplify alignment. Push-in/twist-out rotoclips hold reflector flush to ceiling.
- 2. Junction Box:** 4" x 3 1/2" x 2"; .063" (#14 ga.) galvanized steel. U.L. listed for maximum of 8 No. 12 ga. 75° C through branch circuit conductors (60° C end of run). Integral cable clamps permit attachment of nonmetallic Romex® or armored cable without need of additional connectors.
- 3. Mounting Bars:** .059" (#16 ga.) galvanized steel. 13" long bars extend to 27" with integral nailing tabs. Attaches to wood joist without need of accessories.
- 4. Socket Housing:** Impact extruded aluminum or galvanized steel.
- 5. Socket:** Porcelain medium base; nickel plated screw shell. Pre-wired with #18 ga. SF1 leads to junction box.
- 6. Thermal Protector:** Meets NEC and UL requirements. Insulation must be kept 3" away from fixture sides and wiring compartments and must not be placed above fixture in a manner which will entrap heat.

**Options & Accessories**

- Mounting Bars:** 1964 - 20" set of (2)
- T-Bar Anchor Clips:** 1956 - set of (4)
- Thermal Protector Replacement:** 1970
- Concealed Spline Ceiling Kit:** 1965 - set of (4), 1 1/2" to 2 1/2" Mtg. Ht.
- Plaster Ceiling Ring:** 1960 - 7/8" depth for wet plaster ceilings.
- Extra-Thick Ceiling Mounting Ring:** 1967 - up to 2" thick ceilings.
- 277V Remote Step-Down Transformer:** 7997 - 277V down to 120V 300W max. load.

**Labels**

U.L. (Suitable for Damp Locations); I.B.E.W.;  
U.S. Patent No's.: 4,313,154; 4,327,403

WE RESERVE THE RIGHT TO CHANGE DETAILS OF DESIGN, MATERIALS, AND FINISH.

Alzak® is a registered trademark of The Aluminum Company of America. Romex® is a registered Trademark of General Cable Industries Inc.

**LIGHTOLIER a GENLYTE THOMAS company.**  
631 Airport Road, MA 02720  
(508) 679-8131 • Fax (508) 674-4710

Copyright 2001

**LIGHTOLIER®**