

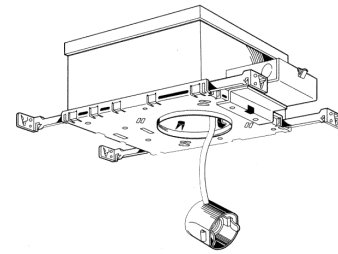
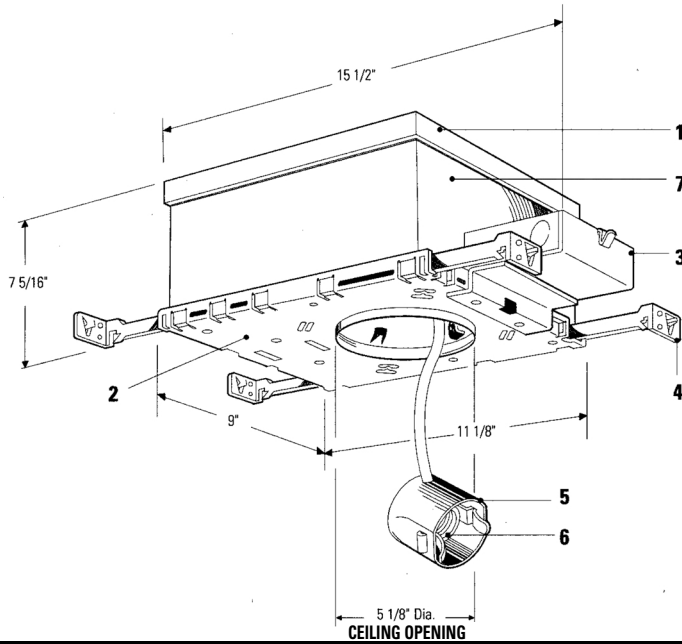
**5" Aperture  
Incandescent  
Insulated Ceiling, AirSeal® Frame-In Kit**

**Lytecaster®  
Recessed  
Downlighting**

**1000AICM**

B0101

TYPE:



FRAME-IN KIT



REFLECTOR TRIM

**Complete Fixture consists of REFLECTOR TRIM & FRAME-IN KIT. Select each separately.**

| Frame-In Kit                      | Reflector Trims — See Individual Reflector Trim Specification Sheets |                                                                                                                                      |                                                                |                                                                                                                                      |                               |                                                                                                                                                                                                                                                                                                                                                    |                                                                                                                                                                       |                                                                                                 |                                                                                                   |
|-----------------------------------|----------------------------------------------------------------------|--------------------------------------------------------------------------------------------------------------------------------------|----------------------------------------------------------------|--------------------------------------------------------------------------------------------------------------------------------------|-------------------------------|----------------------------------------------------------------------------------------------------------------------------------------------------------------------------------------------------------------------------------------------------------------------------------------------------------------------------------------------------|-----------------------------------------------------------------------------------------------------------------------------------------------------------------------|-------------------------------------------------------------------------------------------------|---------------------------------------------------------------------------------------------------|
|                                   | Open Downlight                                                       |                                                                                                                                      |                                                                |                                                                                                                                      |                               | Adjustable                                                                                                                                                                                                                                                                                                                                         |                                                                                                                                                                       |                                                                                                 |                                                                                                   |
| <input type="checkbox"/> 1000AICM | Alzak® Reflector                                                     | Alzak® Cone                                                                                                                          | Satin Cone                                                     | Baffles                                                                                                                              | Basic White                   | Recessed                                                                                                                                                                                                                                                                                                                                           | Eyeball                                                                                                                                                               | Enclosed Diffusers                                                                              | Wall Washer                                                                                       |
|                                   | <input type="checkbox"/> 1045<br><input type="checkbox"/> 1046       | <input type="checkbox"/> 1012<br><input type="checkbox"/> 1013<br><input type="checkbox"/> 1013BK<br><input type="checkbox"/> 1013WH | <input type="checkbox"/> 1008<br><input type="checkbox"/> 1010 | <input type="checkbox"/> 1005<br><input type="checkbox"/> 1005WH<br><input type="checkbox"/> 1076<br><input type="checkbox"/> 1076WH | <input type="checkbox"/> 1071 | <input type="checkbox"/> 1027<br><input type="checkbox"/> 1027BK<br><input type="checkbox"/> 1027WH<br><input type="checkbox"/> 1038<br><input type="checkbox"/> 1048<br><input type="checkbox"/> 1029<br><input type="checkbox"/> 1029CL<br><input type="checkbox"/> 1029GD<br><input type="checkbox"/> 1029BK<br><input type="checkbox"/> 1029WH | <input type="checkbox"/> 1022<br><input type="checkbox"/> 1022WH<br><input type="checkbox"/> 1023<br><input type="checkbox"/> 1023WH<br><input type="checkbox"/> 1082 | <input type="checkbox"/> 1021<br><input type="checkbox"/> 1024<br><input type="checkbox"/> 1078 | <input type="checkbox"/> 1035<br><input type="checkbox"/> 1035WH<br><input type="checkbox"/> 1085 |

**Features**

- Housing:** .026" (#20 ga.) galvanized steel. U.L. listed for direct contact with thermal insulation. AirSeal housing minimizes air leakage to less than 2 CFM at 1.57 psf, which complies with Washington State Energy Code (Section 502.4) and reduces heat loss and condensation on ceiling. Access door for inspection of junction box.
- Mounting Frame:** .036" (#20 ga.) galvanized steel. Accommodates all ceilings up to 1" thick. 3/8" deep integral lip. Four slots are positioned 90° apart to simplify alignment. Push-in/twist-out rotoclips hold reflector flush to ceiling.
- Junction Box:** 2" x 4" x 4", .060" (#14 ga.) galvanized steel. U.L. listed for, maximum of 6 No. 12 ga., 90° C through branch circuit conductors. Quick release "L" shaped cover for outside access to wiring. Access door inside of housing allows easy inspection of wiring without removal of housing. Integral cable clamps permit attachment of nonmetallic Romex® or armored cable without the need for additional connectors.
- Mounting Bars:** .059" (#16 ga.) galvanized steel. 13" long bars extend to 27", rotatable and lockable, with integral T-bar tabs.
- Socket Housing:** Impact extruded aluminum or galvanized steel.
- Socket:** Porcelain medium base; nickel plated screw shell. Pre-wired with #18 ga. SF1 leads to junction box.
- Thermal Protector:** Meets NEC and U.L. requirements.

**Options & Accessories**

- Mounting Bars:** 1964 - 20" set of (2)
- T-Bar Ceiling Clips:** 1956 - set of (4)
- Thermal Protector Replacement:** 1970
- Concealed Spline Ceiling Kit:** 1965 - set of (4), 1 1/2" to 2 1/2" Mtg. Ht.
- Plaster Ceiling Ring:** 1960 - 7/8" depth for wet plaster ceilings.
- Extra-Thick Ceiling Mounting Ring:** 1967 - up to 2" thick ceilings.
- MR16 Socket Replacement:** 1975B
- 277V Remote Step-Down Transformer:** 7997 - 277V down to 120V 300W max. load.

**Labels**

U.L. (Suitable for Damp Locations); I.B.E.W.  
U.S. Patent No.: 4,313,154; 4,327,403

WE RESERVE THE RIGHT TO CHANGE DETAILS OF DESIGN, MATERIALS, AND FINISH.

Alzak® is a registered trademark of The Aluminum Company of America. Romex® is a registered Trademark of General Cable Industries Inc.

**LIGHTOLIER a GENLYTE THOMAS company.**

631 Airport Road, MA 02720  
(508) 679-8131 • Fax (508) 674-4710

Copyright 2001

**LIGHTOLIER®**