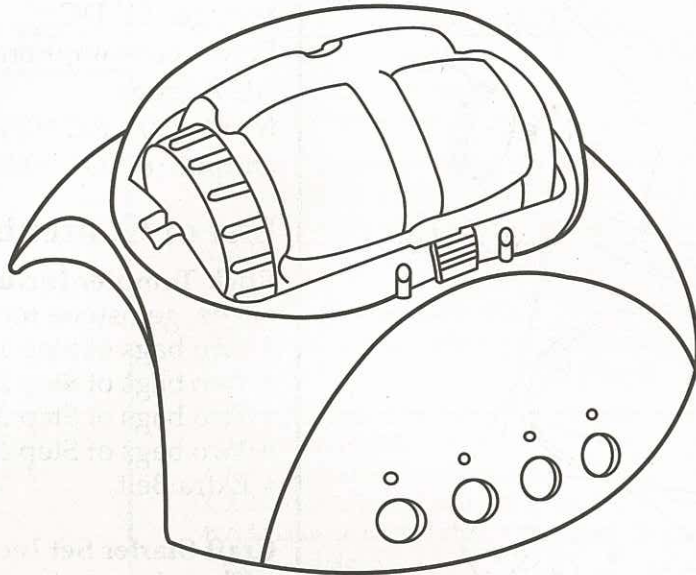


AGES 10 & UP

Rock Tumbler

INSTRUCTIONS

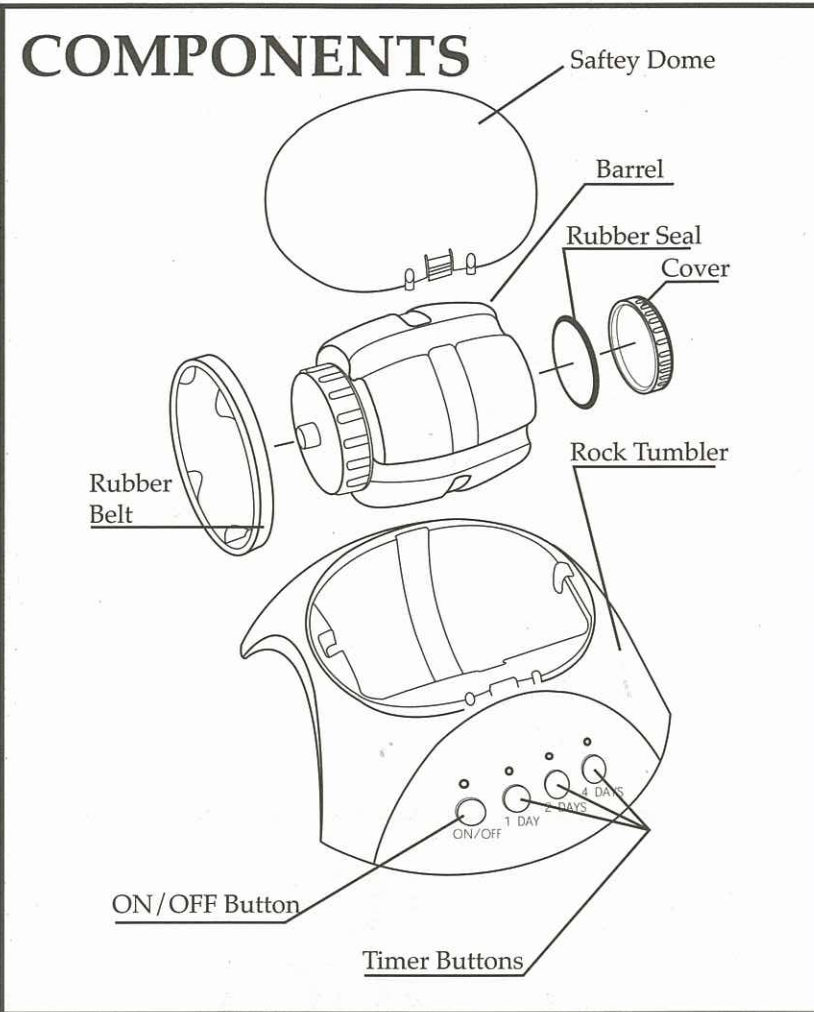


CAUTION - ELECTRICALLY OPERATED PRODUCT:

- NOT RECOMMENDED FOR CHILDREN UNDER 10 YEARS OF AGE.

AS WITH ALL ELECTRIC PRODUCTS, PRECAUTIONS SHOULD BE OBSERVED DURING HANDLING AND USE TO PREVENT ELECTRIC SHOCK.

- AS WITH ALL ELECTRIC PRODUCTS, ADULT SUPERVISION IS RECOMMENDED DURING USE.
- PERIODICALLY EXAMINE TOY FOR UNSAFE CONDITIONS SUCH AS DAMAGED CORD, PLUG, HOUSING, LEAKAGE, ETC. DO NOT USE TOY IF DAMAGE IS FOUND.
- CONTAINS SMALL PARTS THAT COULD BE SWALLOWED. KEEP GRIT, STONES AND JEWELRY FINDINGS AWAY FROM YOUNG CHILDREN.
- PRECAUTION: AVOID CONTACT WITH EYES.



Technical Specifications:

Rock Tumbler

Operating conditions: 32° - 100°F
 Operating humidity: 35 - 90%
 Max load: 16 oz
 Voltage: 5V DC
 Power consumption: 1.5VA (maximum)
 AC Adapter
 Input: 120V AC 60Hz 6W
 Output: 6V DC 500mA

List of Contents:

Rock Tumbler Includes:

- 8 oz. gemstone rocks
- Two bags of Step 1 Coarse-Grind Powder
- Two bags of Step 2 Fine-Grind Powder
- Two bags of Step 3 Polishing Powder
- Two bags of Step 4 Final Polishing Powder
- Extra Belt

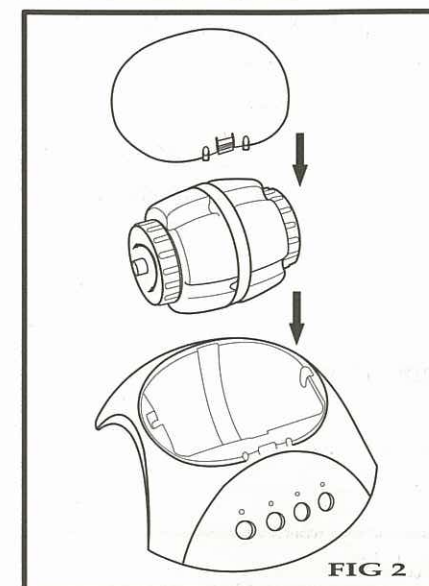
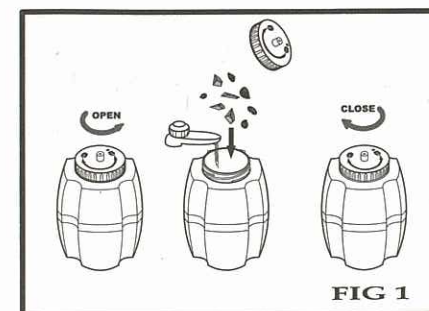
Craft Starter Set Includes:

- Three key chains
- 12 setting holders in three styles
- Glue
- One 18" silver tone necklace chain
- Four adjustable rings
- Three pairs hanging earring wires
- 12 jump ring connectors

IMPORTANT INFORMATION:

- Read all instructions before using and keep for future reference.
- For added safety, this product is equipped with a polarized AC line plug.
- Use only the AC Adaptor provided with your Rock Tumbler.
- Clean tumbler with a damp cloth - NEVER IMMERSE IN WATER.
- **NEVER POUR USED GRIT OR GRINDING POWDER DOWN HOUSEHOLD DRAINS.**
- For indoor use only. Do not use outdoors or in a moist environment.
- Maximum weight in barrel is 16 oz. Suggested weight is 8 oz per use.
- Do not overfill the barrel with water. Add water to cover the stones only.

Have you ever picked up a shiny, smooth pebble at the beach or along a riverbank? Mother Nature polished that stone by gently washing it in water and sand or gravel until all the rough edges were smoothed away. Then the inner colors and unique composition of the stone were uncovered! You can do the same thing in your Rock Tumbler; it is faster than Nature, but still takes time and patience. You can expect to have beautiful, polished stones in 2 to 4 weeks.



Step 1) Starting to Tumble!

The purpose of this first cycle of tumbling is to smooth out sharp points and edges. This cycle will take from 2 to 4 days, depending on the size and hardness of the stones. It is best to check the stones daily during this cycle.

1. Rinse the stones with water and fill the barrel with up to 8 oz. of stones.
2. Add Step 1 Coarse Grinding Powder.
3. Add enough water to cover the stones.
4. Snugly tighten cap on barrel to prevent leakage. (See Figure 1)
5. Note: the barrel fits into the tumbler correctly in only one direction - match the size of the axle to the size of the slot. Be sure the barrel and tumbler are clean and dry. Cover the barrel with the safety dome. (See Figure 2)
6. Attach the DC plug into the tumbler and then plug into 120V wall outlet.
7. Push the ON/OFF button.
8. Push the appropriate day buttons for timer. (See About the Timer Buttons)

Inspecting the stones: To stop the tumbler without resetting the timer, simply remove the safety dome. Open the barrel and check your progress. Close and replace the barrel and safety dome. To reset the timer, push the ON/OFF button and select the number of days.

Step 2) Continuing to Tumble...

This second tumbling phase will continue to smooth the stones. It is important to inspect stones during this 3 to 7 day process.

1. Pour contents of the barrel into a fine strainer and rinse the stones and the barrel thoroughly.
2. Refill the barrel with the stones.
3. Add Step 2 Fine Grinding Powder.
4. Add enough water to cover the stones. Be sure the barrel and tumbler are clean and dry.
5. Tumble for another 3 to 7 days until the stones become shiny.

REMEMBER-DO NOT DUMP GRIT DOWN HOUSEHOLD DRAINS!

Step 3) Polishing!

It is now time for the polishing process.

1. Pour the contents of the barrel through a strainer and rinse the stones. Be sure not to pour any of the grit down household drains.
2. Wash the stones and barrel thoroughly with soap to remove all traces of grit. Use scrub brush or an old toothbrush if necessary.
3. Place the stones back into the barrel and add water to cover, and tumble for 2 hours. This will remove any remaining pieces of grit that might scratch your polished stones.
4. Rinse stones and barrel again.
5. Refill barrel with stones and add Step 3 Polishing Powder, and add enough water to cover the stones.
6. Be sure the barrel and tumbler are clean and dry.
7. Tumble for at least 3 days.

Step 4) Final Polishing

It is now time for the final polishing process, which will add a high luster to your stones. Then they will be ready to display or to mount into the jewelry finding.

1. Pour the contents of the barrel through a strainer and rinse the stones. Be sure not to pour any of the grit down household drains.
2. Wash the stones and barrel thoroughly with soap to remove all traces of grit. Use scrub brush or an old toothbrush if necessary.
3. Place the stones back into the barrel and add water to cover, and tumble for 2 hours. This will remove any remaining pieces of grit that might scratch your polished stones.
4. Rinse stones and barrel again.
5. Refill barrel with stones and add Step 4 Final Polishing Powder, and add enough water to cover the stones.
6. Be sure the barrel and tumbler are clean and dry.
7. Tumble for at least 4 days.
8. When stones are completely polished, they will look shiny when dry.

Experiment with different types of stones under different types of tumbling conditions, you may get some surprising results! Stones of the same type tumbled together will produce the most highly polished look.

ABOUT THE TIMER BUTTONS

SELECT NO. OF DAYS				
ON/OFF	1 DAY	2 DAYS	4 DAYS	1 DAY
ON/OFF	1 DAY	2 DAYS	4 DAYS	2 DAYS
ON/OFF	1 DAY	2 DAYS	4 DAYS	3 DAYS
ON/OFF	1 DAY	2 DAYS	4 DAYS	4 DAYS
ON/OFF	1 DAY	2 DAYS	4 DAYS	5 DAYS
ON/OFF	1 DAY	2 DAYS	4 DAYS	6 DAYS
ON/OFF	1 DAY	2 DAYS	4 DAYS	7 DAYS

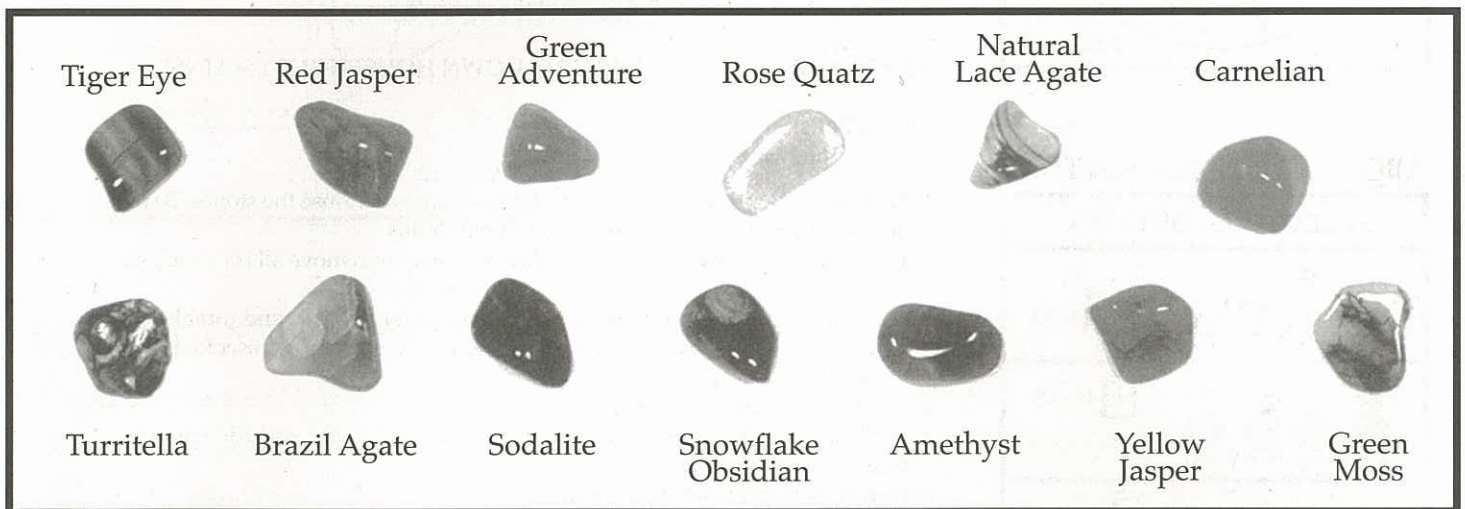
Jewelry Making Tips

1. Choose a polished stone and a setting mount for your necklace, key chain, ring or earrings.
2. Using the glue provided, secure the stone into the setting, gently close the prongs to hold the stone in the setting mount, and let dry 24 hours.
3. To attach the mounted stone, use a jump ring connector. Twist the jump ring apart slightly with long-nosed pliers or using 2 screws, and slip on the mounted stone. Then slip jump ring into desired piece of jewelry, and close jump ring.

HELPFUL HINTS:

- Tumbling rocks make a lot of noise! Because of the safety dome and the shape of the tumbler, a lot of noise is generated downward. Placing your tumbler on a sound absorbing material will minimize rock tumbling sound. Also place your tumbler in a place in the house where it will least disturb anyone.
- Removing Barrel Lid: Before putting lid on barrel, it is a good idea to take any type of lubricant and lightly coat the inside rim of the lid. This will help tremendously when removing the lid between operations. Holding the rim under hot water for several minutes also will aid in removal of the lid.
- Once tumbling is started you must continue until finished, contents left standing in the barrel will harden into a cement like cake.
- REMEMBER - It is always better to operate tumbler longer if you are in doubt. It will do no harm to the stones. If you do, in fact it will give them a better finish.

Types of Rocks and Semi-Precious Stones



Color and contents shown on package may be different from actual products. Please retain this packaging for future reference.

Dear Customer,

If you found any problems with this product, please email us at service@bhsciencetech.com, giving us the following:

- 1) Item No.
- 2) Date of purchase
- 3) Place of purchase
- 4) Price paid
- 5) Brief description of problem

PLEASE DO NOT RETURN THIS PRODUCT TO THE STORE WHERE YOU PURCHASED IT.

