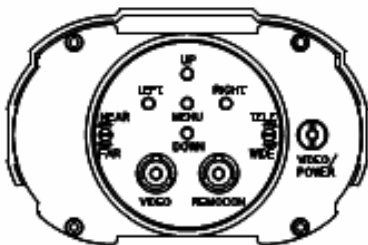
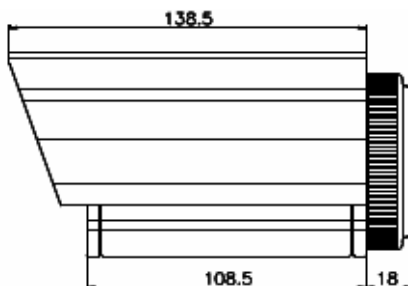
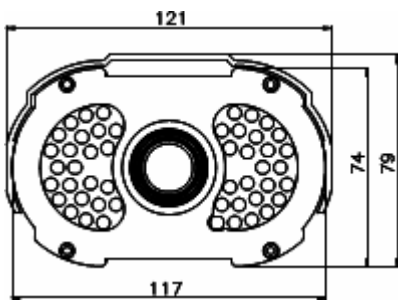


# KPC-N750NH



## Introduction

The KPC-N750NH uses 48 High Density IR LEDs for Maximum performance for long distance Night Vision. User can get optimized picture with it's phenomenal LED adjustment feature. The camera comes with OSD menu for easy access and control.

## Special Features

- ⊙ 48 IR LEDs
- ⊙ External Vaifocal Adjustment
- ⊙ IR Shooting Distance of over 150'
- ⊙ Mechanical Day&Night
- ⊙ LED shooting distance adjustment
- ⊙ Weatherproof (IP67)
- ⊙ Heater included

Model	KPC-N750NH	KPC-N750PH
Signal format	NTSC	PAL
Image sensor	Interline 1/3 inch SONY SUPER HAD CCD	
Scanning system	2:1 Interlace	
Scanning frequency	H: 15.734 KHz, V:59.94 Hz	H: 15.625 KHz, V:50 Hz
Total pixels	811(H) × 508(V), 410K	795(H) × 596(V), 470K
Effective pixels	768(H) × 494(V), 380K	752(H) × 582(V), 440K
Horizontal resolution	550 TV line	
Electronic shutter	1/60 ~1/100,000sec	1/50 ~1/100,000sec
S/N ratio	More than 45 dB (AGC OFF)	
Sensitivity	0 Lux (IR LED ON)	
Gamma	$\gamma = 0.45$	
Sync System	Internal	
Video output	1 [Vp-p] Composite 75 $\Omega$ unbalanced	
Power supply	Dual Voltage	
	AC 24.0 [V] $\pm 10\%$ , Less than 700mA DC 12.0 [V] $\pm 10\%$ , Less than 500mA	
IR LED	48 Units	
IR LED Half Angle	$\pm 30$ Degree	
IR LED Distance	160'	
IR LED Wavelength	850 nm	
Operating Lux	Typical 5 Lux( Min: 1.5 Lux, Max : 10 Lux)	
Lens Option	f2.8mm ~ 11.0mm, f9.0mm~22.0mm Varifocal Lens(ICR)	
Water Resistant	IP67	
Operating temperature	-10 $^{\circ}$ C ~ +50 $^{\circ}$ C	
Storage temperature	-20 $^{\circ}$ C ~ +60 $^{\circ}$ C	
Operating Humidity	10% ~ 80%	
Dimensions	110(L) x 87(W) x 62(H)mm	
Option	AD-Key Remote Control	

Specifications may change without prior notice or liability

**KT&C USA**

KT&C USA, Inc.

3240 Wilshire Blvd., Suite 501 Los Angeles, CA 90010

T: 213-381-0061 F: 213-381-0064

Email : [sales@ktncusa.com](mailto:sales@ktncusa.com) [www.ktncusa.com](http://www.ktncusa.com)

