

Complete Store Water Quality Systems with Two Outlets



Model EQHP-TWIN 108SP
Water Quality System

Features

108,000 Gallon Water Quality System

Two outlet water filtration and scale-inhibition system for high flow-rate and capacity environments

- Two separate streams, both with reduced sediment and chlorine taste and odor, exit the manifold. One stream has scale-inhibition media added from a dedicated cartridge to reduce the ability of lime scale to precipitate. The other stream supplies cold beverage dispensers and has no added scale inhibitor.
- System includes a two-cartridge manifold with built-in pressure gauge, inlet water shut off valve, outlet check valve, mounting brackets, two cartridge filters and a dedicated external scale-inhibition cartridge.
- Consistent great-tasting beverages and ice from water with reduced sediment and chlorine taste and odor.
- Incorporates multi-zone pharmaceutical grade pleated nylon pre-filter.
- Pre-filter offers exceptional sediment holding capacity and particle reduction to 0.2 microns.
- NSF Standard 42 and/or FDA CFR-21 compliance provides assurance of safety.
- EQHP-54 cartridge certified by NSF to Standard 53 for cyst reduction.
- Reduced scale formation by the controlled release of proprietary scale inhibitors as tested by the manufacturer.
- Quick Connect Head uses encapsulated cartridge design allowing for fast and easy change-outs with a 1/4 turn while minimizing the possibility of leakage and contamination.
- Auxiliary inlet gauge port allows optional monitoring of differential water pressure.
- Filter cartridges incorporate carbon block media and require no pre-activation.
- 108,000 gallon capacity based on system's chlorine reduction rating.

For current specification sheets and other information, go to www.bunn.com.

Related Products

Replacement Cartridge
EQHP-54CRTG
Product No.: 39000.1006

Replacement Cartridge
SCALE-PRO
Product No.: 39000.1010

Manifold
EQHP-Twin-SP
Product No.: 39000.0106

Model

Agency Listing

EQHP-TWIN108SP

Patents Apply

3/10

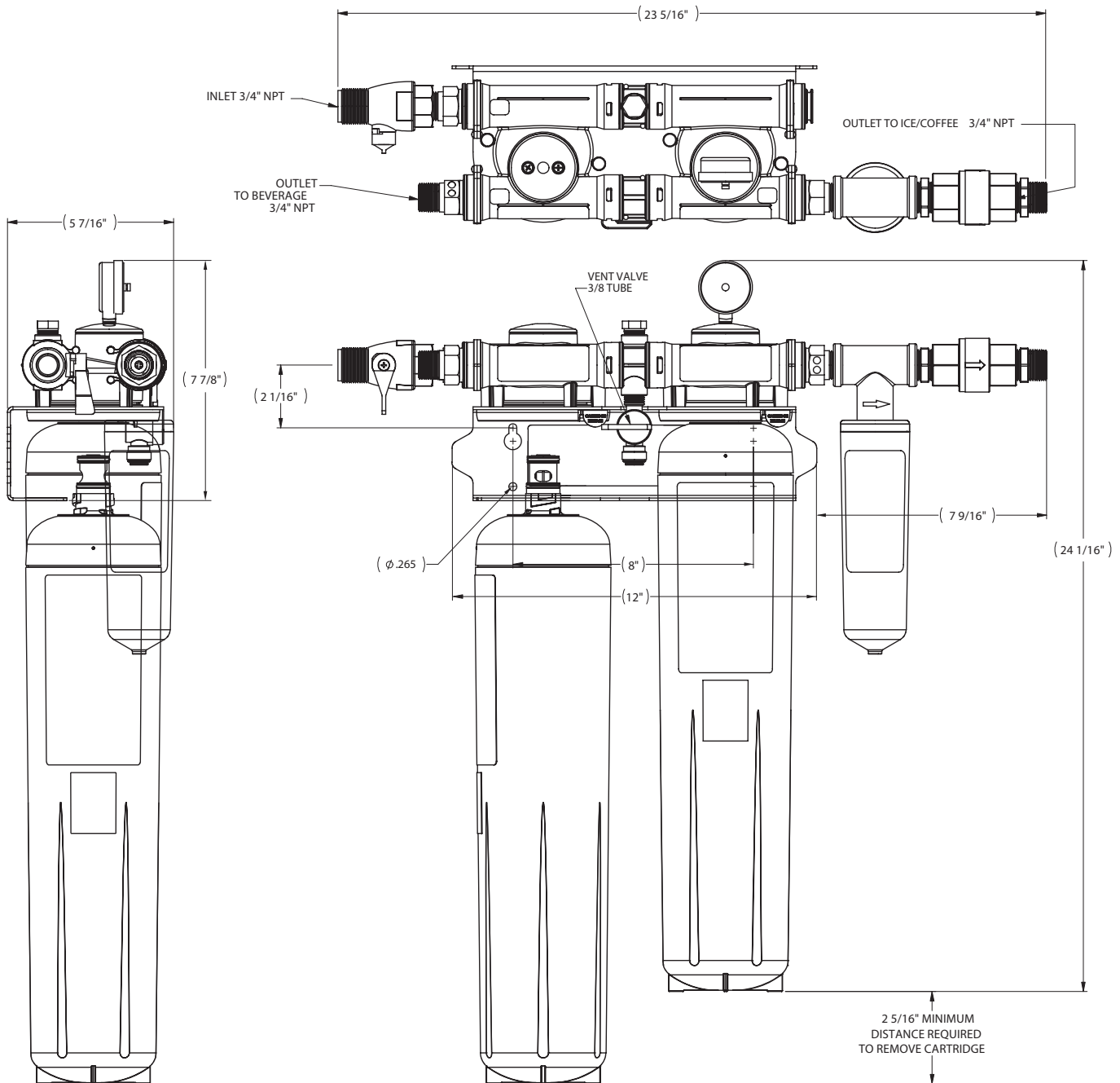
F17

Dimensions & Specifications

Model	Product #	Service Flow Rate & Capacity	Micron Rating	Application
High Volume				
39000.0013	EQHP-TWIN180SP	10 gpm/ 108,000 Gallons	0.2	Complete store system needing 108,000 gallon usage per 6 months.

Note: Inlet and outlet plumbing connections are 3/4" NPT.

System maximum operating pressure is 125 psi (862 kPa) and operating temperature 100°F (38°C).



Bunn-O-Matic® Corporation - 1400 Stevenson Drive Springfield, Illinois 62703 • 800-637-8606 • 217-529-6601 • Fax 217-529-6644 • www.bunn.com

BUNN® practices continuous product research and improvement. We reserve the right to change specifications and product design without notice. Such revisions do not entitle the buyer to corresponding changes, improvements, additions or replacements for previously purchased equipment.

All dimensions shown in inches.