

# BUNN®

## Silver Series® 4-Flavor Gourmet Cold Beverage System

ITEM#

PROJECT

DATE



### Model JDF-4S

(available with juice or iced coffee display)  
Dimensions: 33.1"H x 15.7"W\* x 25.5"D  
(84.1cm H x 39.9 cm W\* x 64.8cm D)  
\*width including door handle

### Features

#### Gourmet Cold Beverage System

- A cost effective solution to providing your customers with superior performance in juice and other concentrated beverage dispensing.
- One dispenser delivers both frozen and ambient products increasing profits by lowering costs.
- Drink consistency assured with the BUNN patented High Intensity® mixing technology.
- Pumps and mixes 2+1 to 11+1 concentrated beverages, including 4+1 high viscosity and 5+1 juices accurately and consistently.
- Quick dispense with 1.0 to 1.5 ounces (29.6 to 44.4 ml) per second flow rate.
- 7" (17.8 cm) cup clearance accommodates most juice containers.
- 18 lb. (8.2 kg) ice bank provides superior cold drink capacity.
- Advanced concentrate pump designed for easy setup, accuracy and durability.
- Service-friendly design including two modular dispense decks makes service fast and simple.
- Both push-button and portion control in the same machine.
- Available with Iced Coffee or Juice display.
- Cold water dispense option available. See models listed on back.
- Door lock standard.
- Preventive maintenance kit: 39690.0000. **PMKIT**™

For current specification sheets and other information, go to [www.bunn.com](http://www.bunn.com).

### Related Products

**Easy Clear® EQHP-10**  
Product No. : 39000.0004

**Easy Clear® EQHP-10CRTG**  
Product No. : 39000.1004

**Extended Drip Tray**  
Product No. : 40789.1000  
increases cup clearance to 10.25"  
(grill not included, use existing  
grill or order 39613.000 below)

**Replacement Grill fits Standard  
and Extended Drip Trays**  
Product No. : 39613.0000



**Ambient Conversion Kit**  
Product No.: 33699.0001  
(one kit required per dispense  
station - photo shows  
4-dispense station unit with  
one container and three  
ambient conversion kits)



**Refillable Juice Container**  
Capacity: 1 Gallon  
Product No.: 39302.0000



#### Model

JDF-4S

#### Agency Listing



Patents Apply

3/09

D7.1

## Dimensions & Specifications

Model	Product #	Volts	Amps	Capacity	Cubic Measure	Shipping Weight	Cord Attached
JDF-4S	37300.0000	120	6	3 (12 oz.) drinks/min*	10.3 ft <sup>3</sup>	129 lbs.	Yes†
JDF-4S (with cold water dispense)	37300.0002	120	6	3 (12 oz.) drinks/min*	10.3 ft <sup>3</sup>	129 lbs.	Yes†
JDF-4S (iced coffee display)	37300.0013	120	6	3 (12 oz.) drinks/min*	10.3 ft <sup>3</sup>	129 lbs.	Yes†
JDF-4S (iced coffee display, cold water dispense)	37300.0016	120	6	3 (12 oz.) drinks/min*	10.3 ft <sup>3</sup>	129 lbs.	Yes†

Models include air filter

Refillable Juice Container Product No.: 39302.0000 Capacity: 1 Gallon

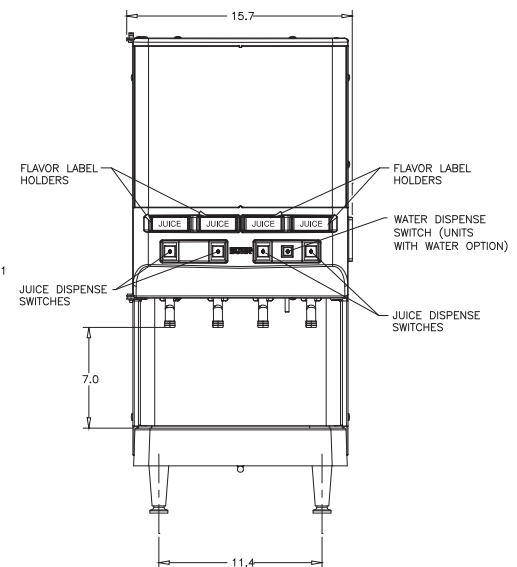
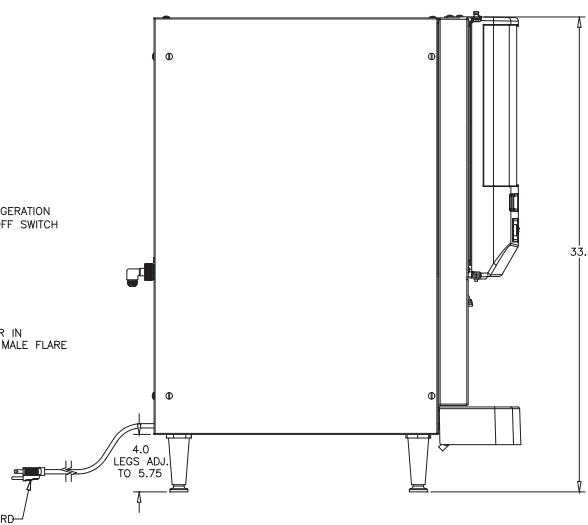
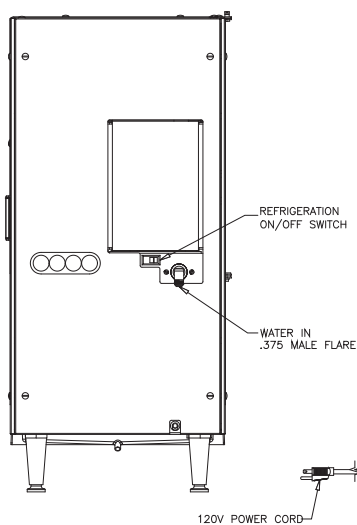
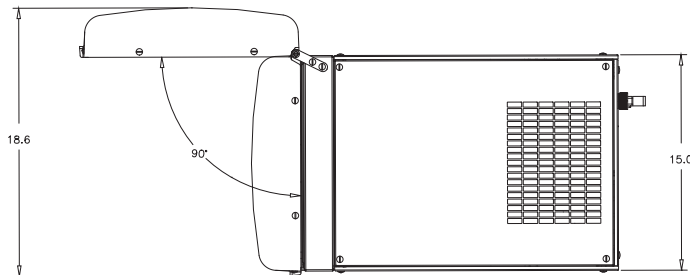
\* 75°F (24°C) incoming water for 145 drinks without exceeding 41°F (5°C) finished drink temperature.

† Power cord (NEMA 5-15P) 15 Amp-120V machine only.

Electrical: Model requires 2-wire grounded service rated 120V, single phase, 60 Hz.

Plumbing: 20-100 psi (138 - 690 kPa). Machine supplied with  $\frac{3}{8}$ " male fitting.

Refrigeration: R-134a refrigerant, 9 oz. (.28 kg), 8 lb. (3.6 kg) ice bank system



Bunn-O-Matic® Corporation - 1400 Stevenson Drive Springfield, Illinois 62703 • 800-637-8606 • 217-529-6601 • Fax 217-529-6644 • www.bunn.com

BUNN® practices continuous product research and improvement. We reserve the right to change specifications and product design without notice. Such revisions do not entitle the buyer to corresponding changes, improvements, additions or replacements for previously purchased equipment.

All dimensions shown in inches.

3/09 © Bunn-O-Matic Corporation