

## 3 Gallon Low Profile Iced Tea Brewer with Portable Server

### Features

#### Iced Tea Brewer

- Brews 16.3 to 26.7 gallons (61.7 to 101.1 litres) per hour from real tea leaves.
- Brews directly into included TDO-3.5 gallon dispenser with brew-through lid.
- Sleek, compact, low-profile styling to accommodate a variety of spaces.
- Quickbrew (Q) models available for shorter brewing cycles.
- SplashGard® funnel deflects hot liquids away from the hand.
- TB3-LP has adjustable stop time for more control over flavor extraction.
- International models available.



#### Model TB3Q-LP with TDO-3.5 Dispenser

Dimensions: 28.75" H x 11.57" W x 21.87"D  
(73cm H x 29.38cm W x 55.55cm D)

For current specification sheets and other information, go to [www.bunn.com](http://www.bunn.com).

### Related Products

**Easy Clear® EQHP-TEA**  
Product No. : 39000.0007



**Easy Clear® EQHP-TEACRTG**  
Product No.: 39000.1007

**Single/Dual Filter Pack**  
Product No. : 20100.0000  
Packed per case: 500  
Dimensions: 5 1/4" Base x 3 3/4" Sidewall  
13.34 cm Base x 9.52 cm Sidewall



**TDO-3.5 – Tea Dispenser**  
Product No. : 37100.0000  
Capacity: 3.5 gallons  
Weight: 10 lbs. (4.5 kg)  
10" H x 10.7" W x 13.7" D  
(25.4cm H x 27.18cm W x 34.8cm D)



**Remote Stand**  
Product No. : 37675.0001  
9.1" H x 11.6" W x 14.2" D  
(23.1cm H x 29.5cm W x 36.1cm D)



**Translucent Pouchpack Tea Funnel**  
Quick dispense, TB-3Q  
Product No. : 35282.0001  
Standard dispense, TB-3  
Product No. : 35282.0002



#### Model

#### Agency Listing

TB3Q-LP  
TB3-LP



## Dimensions & Specifications

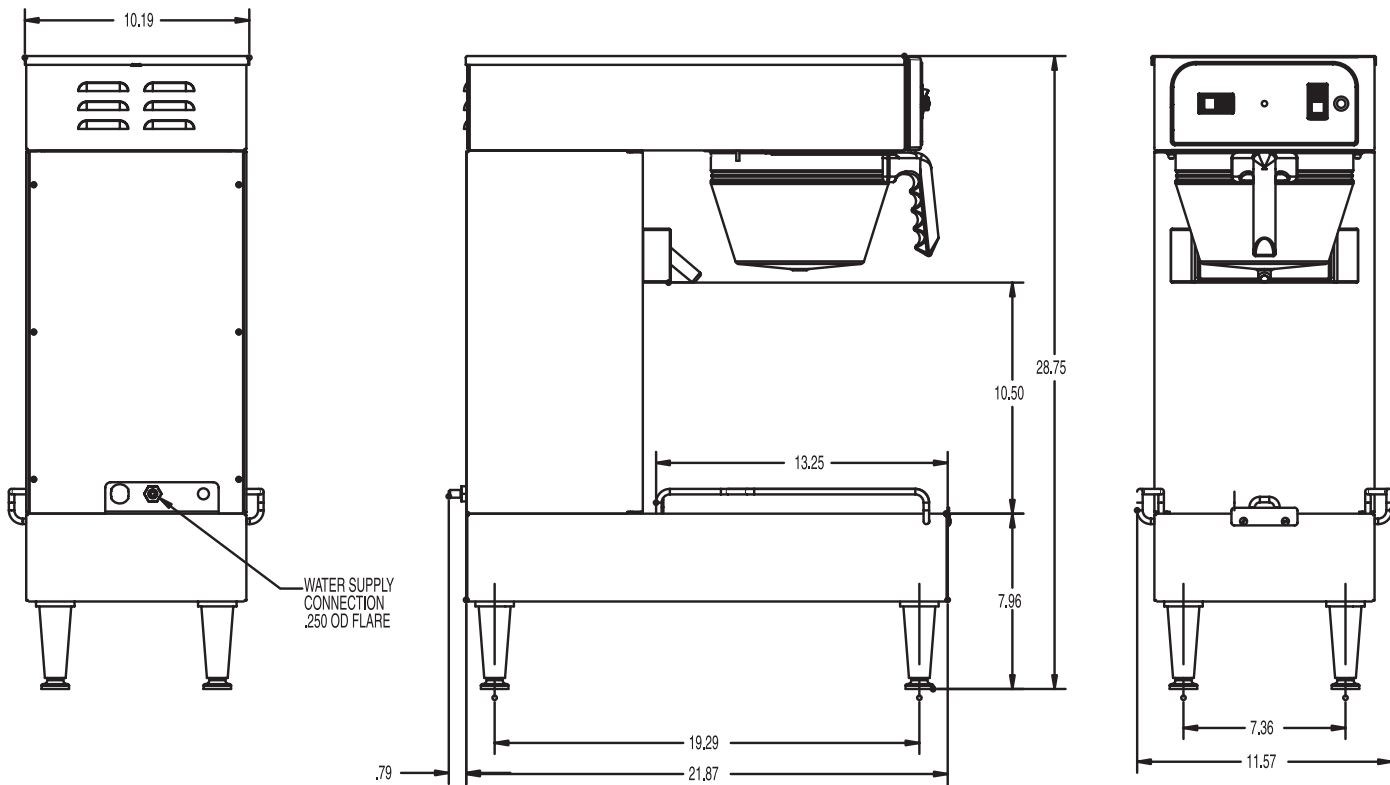
Model	Product #	Volts	Amps	Tank Heater Watts	Total Watts	Brewing Capacity	Cubic Measure	Shipping Weight	Cord Attached
TB3Q-LP	36700.0100	120	14.8	1680	1780	16.3 gal./hr.*	4.15 ft <sup>3</sup>	43 lbs.	Yes*
TB3-LP	36700.0102	120	14.8	1680	1780	16.3 gal./hr.*	4.15 ft <sup>3</sup>	43 lbs.	Yes*

\*Power cord (NEMA 5-15P) 15 Amp-120V machine only.

\* Hourly capacity of 16.3 gallons is for standard funnel tip and delayed dilution. Capacity may be increased to 26.7 gallons/hour using "Q" quick brew funnel tip and no dilution delay.

Electrical: Models require 2-wires plus ground service rated at 120V, single phase, 60 Hz.

Plumbing: 20-90 psi (138-621 kPa). Machine supplied with 1/4" OD male flare fitting.



Bunn-O-Matic® Corporation - 1400 Stevenson Drive Springfield, Illinois 62703 • 800-637-8606 • 217-529-6601 • Fax 217-529-6644 • www.bunn.com

BUNN® practices continuous product research and improvement. We reserve the right to change specifications and product design without notice. Such revisions do not entitle the buyer to corresponding changes, improvements, additions or replacements for previously purchased equipment.

All dimensions shown in inches.

10/09© Bunn-O-Matic Corporation