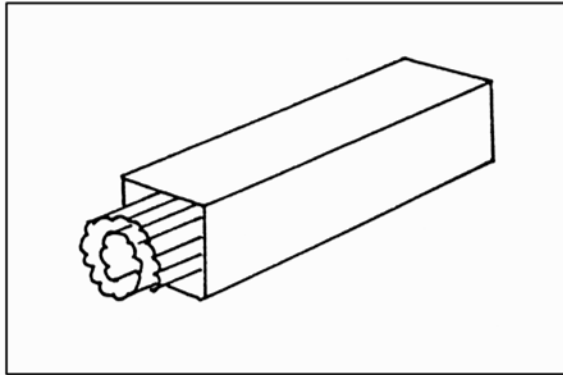
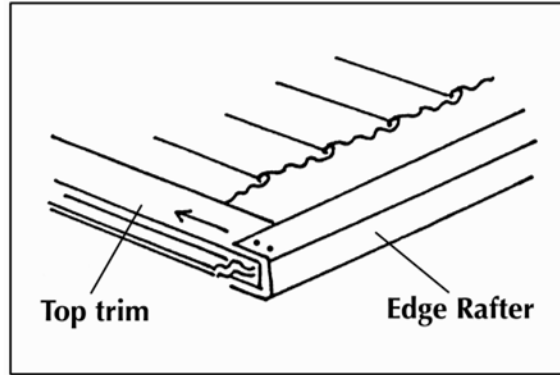


Polar & Protector

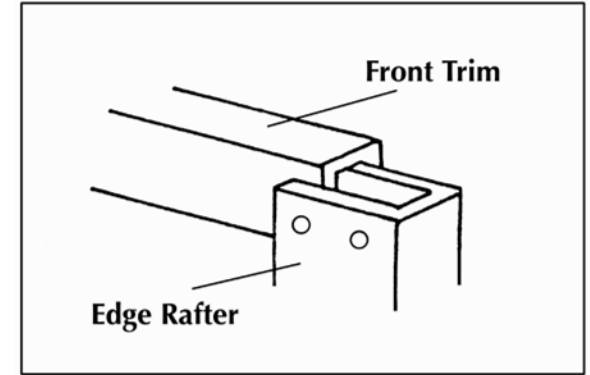
Aluminum Casement Window Awning Assembly Instructions



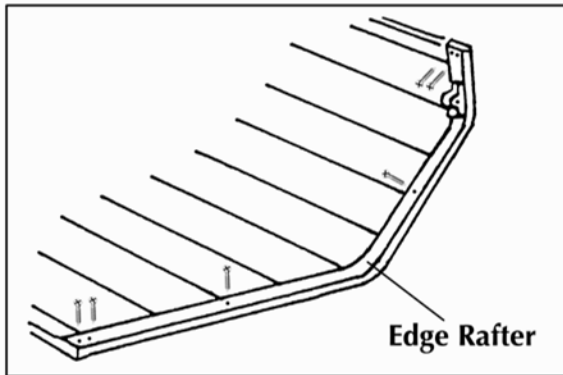
1. Unroll Awning with underside up. This should be done on a flat clean surface



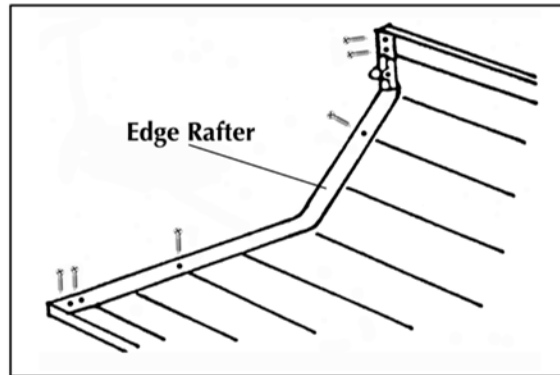
2. Slide top trim out 2" and attach edge rafter. Tap with a hammer until flush.



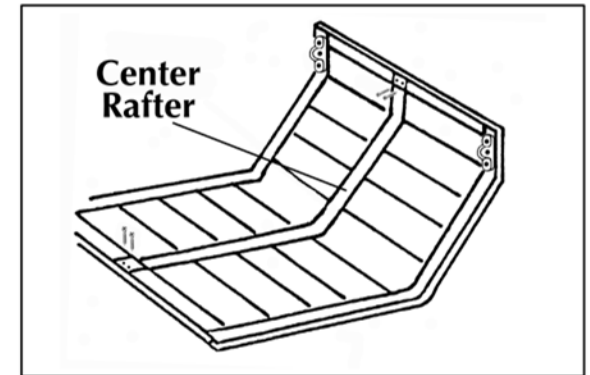
3. Slide top end of edge rafter onto front trim.



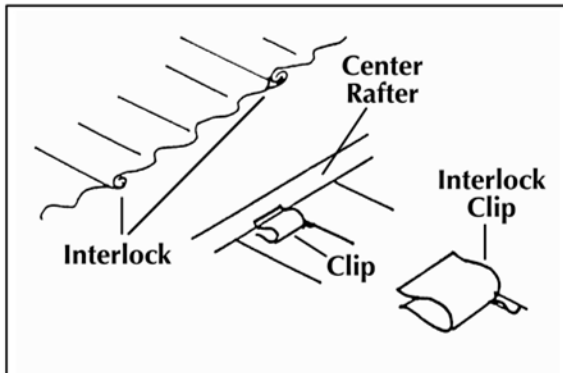
4. Slide all slats into edge rafter and secure with small screws.



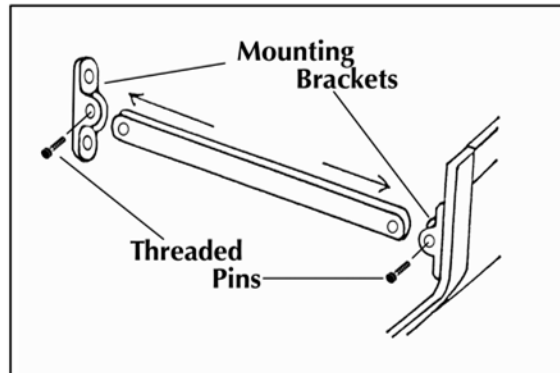
5. Repeat edge rafter assembly on other side of slats.



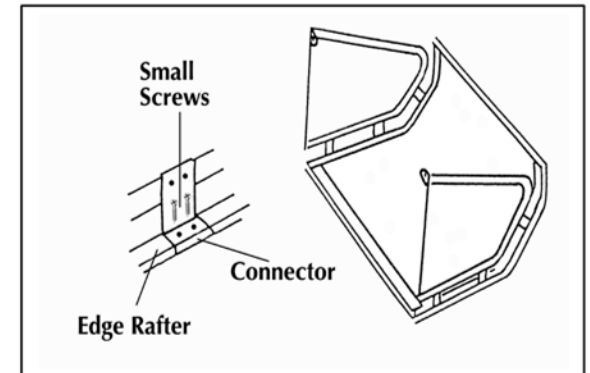
6. Install center rafter(s) with small screws, as shown.



7. Install support clips on center rafter(s) where slats interlock.



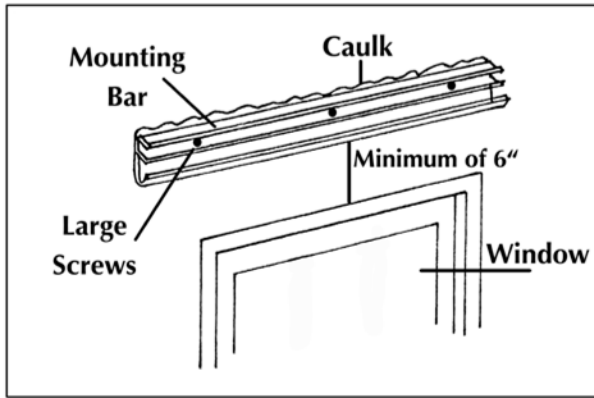
8. For the Polar, slide support arms into pre-attached mounting bracket & secure w/ threaded pin. Repeat this on the other end.



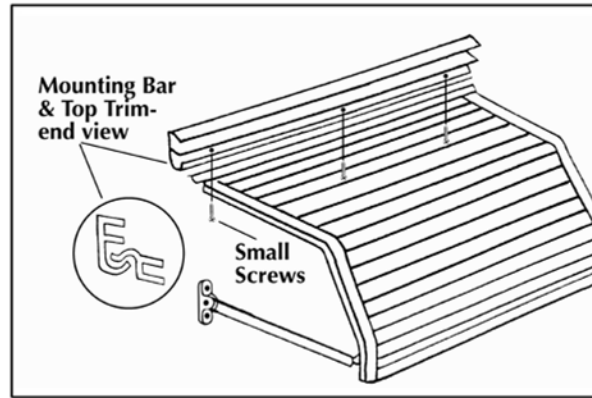
9. For the Protector, attach sides to Awning with small screws. Holes are pre-drilled.

Polar & Protector

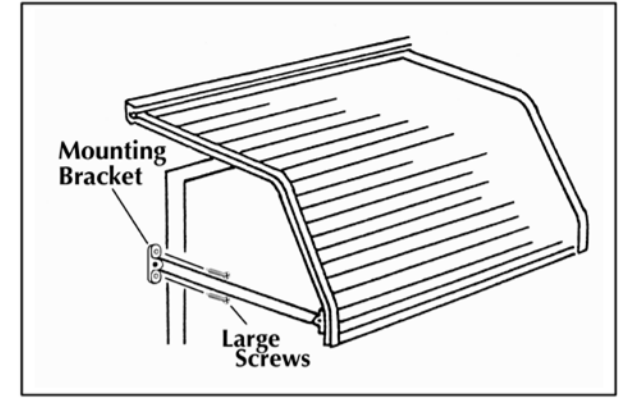
Aluminum Casement Window Awning Installation Instructions



1. Install mounting bar with large screws a minimum of 6" above window. Be sure bar is level and centered over opening. Caulk top of bar against wall. Be sure window opens under Awning before installing all screws.



2. Raise front of Awning and insert top trim into mounting bar. Allow support arms or sides to rest on house. Align holes and secure to mounting bar with small screws from under mounting bar.

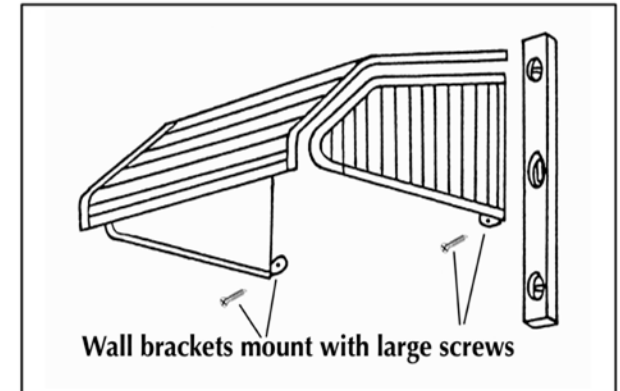


3. To secure the support arms to house, check the mounting chart in step 4 for model number and correct mounting point. Secure mounting brackets to house with large screws.

Mounting dimension "A" is measured from the top of the mounting bar to the center of mounting bracket.

Model #	6	7	8	9
Mounting Point	18 1/2"	24"	29"	34 1/2"

4. Mounting points on this chart should be accurate. However, you may check the proper angle of the support arm by placing a level on it.



5. Attach sides to house with large screws. Be sure sides are plumb before securing to the house.