

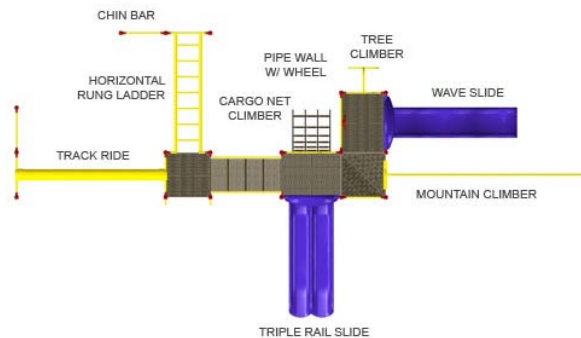
Schoolyard Races

Ages: 5-12

Capacity: Up to 32

Use Zone: 51' x 32'

Weight: 2182 lbs.



Plastic Colors



Panel Colors



Powdercoat Colors



Plastisol Colors



General Specs

3.5" O.D. vertical posts
36" deck grid
24" diameter plastic

POWDER COATING – POSTS/RAILS/CLIMBERS

- Lead Free TGIC polyester
- 5-7 mils thick
- High Gloss / No peel / No flake finish
- Resistant to corrosion, solvents, UV and mildew

PLASTISOL COATING – DECKS/STAIRS/STEPS/BRIDGES

- 80-100 mils thick
- Resistant to abrasion, corrosion, mildew and fungi
- UV stabilized

C-LINE FITTINGS

- Direct connect system is better than clamps
- Aluminum alloy with powder coat finish
- Mounts to vertical posts with adhesive gasket and four 1"x1" TORX self-tapping screws with patch

HARDWARE

- Made from stainless steel or corrosion-resistant coated steel
- Tamper resistant / Special tool required to remove

VERTICAL POSTS

- 13 gauge galvanized steel, 3.5" O.D.
- 50,000 PSI yield strength
- Triple Flo-Coated corrosion protection - interior and exterior
- Contains a minimum of 30% recycled steel and is 95%-98% recyclable

POST CAPS

- Aluminum alloy with powder coat finish
- Machine-pressed into end of post and cannot be removed without special tool

HORIZONTAL LADDERS (STANDARD / 180 DEGREE / 360 DEGREE)

- 2-3/8" O.D. round steel tube
- Powder coat finish

HAND RAILS / PIPE WALLS

- 1-1/4" O.D. round steel tube
- Powder coat finish

CLIMBERS -- METAL

- 1.66" O.D. galvanized pipe
- Powder coat finish

DECKS / STAIRS / STEPS / BRIDGES

- 12 Gauge HRPO Steel
- Perforated surface with holes spaced 1.25" apart o.c.
- Approx. 5/8" hole size after coating
- Plastisol coating

PLASTICS – SLIDES/ROOFS/TUBES/BUBBLE WALL

- 1st quality linear Low Density Polyethylene (LDPE)
- Rotational molded with mold-in graphics (where applicable)
- UV stabilized / Anti-static inhibitors

POLY SHEET PLASTIC PANELS

- 3/4" high density polyethylene sheeting
- UV stabilized

Safety / Accessibility

- Meets American Society for Testing Materials (ASTM) and Consumer Products Safety Commission (CPSC) safety standards for public playground equipment.
- Meets Americans with Disability Act (ADA) Accessibility Guidelines when installed over accessible surfacing.

Warranty

- Limited Lifetime Warranty on all Galvanized Steel Posts, Stainless Steel Hardware, Aluminum Fittings and Aluminum Post Caps.
- Limited 15-Year Warranty on all Punched Decks
- Limited 10-Year Warranty on all Rails, Rungs, Loops, Rotomolded Components and Plastic Sheet Components.
- Limited 1-Year Warranty on all Moving Parts, Swing Seats, Swing Hangers and other material not covered above.



7000 US Hwy 1 N., Suite 201
St. Augustine, FL 32095
1-800-853-5316

www.byoplayground.com