

Features

Quick Connect 10" (EQ-11-TL) & 14" (EQ-12-TL) Water Quality Systems

- Provides 4,800 gallons @ 1.5 gpm (10") or 12,600 gallons @ 1.67 gpm (14") for superior sediment, taste/odor and chlorine reduction.
- Can be mounted in any position: has quick change filter head for easy cartridge replacement.
- Auto shut-off
- 5 micron graded density filtration for 10" and 1 micron graded density filtration for 14".
- Perfect for beverage systems with a medium sized brewer (up to 50 lbs. of coffee/week).
- Provides six months of scale reduction and protects equipment from corrosion.
- Designed for minimum purge after cartridge charge.
- Single purpose cartridges also available for treatment of problems with taste and odor (T), lime scale (L), hardness (H) and sediment filtration (S).



Model EQ-11-TL & EQ-12-TL
Water Quality Systems

Related Products

For current specification sheets and other information, go to www.bunnomatic.com.

Warranty: BUNN warrants the Easy Clear® hardware (excluding cartridges) to be free from defects in materials and workmanship for 1 year from the date of installation. See service manual for complete warranty statement.



System Tested and Certified by NSF International against ANSI/NSF Standard 42 for the reduction of sediment, taste/odor, and chlorine.

Gauge Kit for Quick Connect systems
Product No. : 30236.1000



ITEM#

PROJECT

DATE

Model

*EQ-11-TL &
EQ-12-TL Water
Quality System*

BUNN®

Corporate Offices
1400 Stevenson Drive
Springfield, Illinois 62703
Phone
800-637-8606
217-529-6601
Fax
217-529-6644
Technical Services
800-286-6070
Internet
<http://www.bunnomatic.com>

Western Regional Office
16431 Carmenita Road,
Cerritos, California 90701
Phone
562-926-0764
Fax
562-926-0858

Canadian Office
280 Industrial Parkway South
Aurora, Ontario, L4G 3T9
Phone
905-841-2866
Fax
905-841-2775

**Patents
Apply**



Dimensions & Specifications

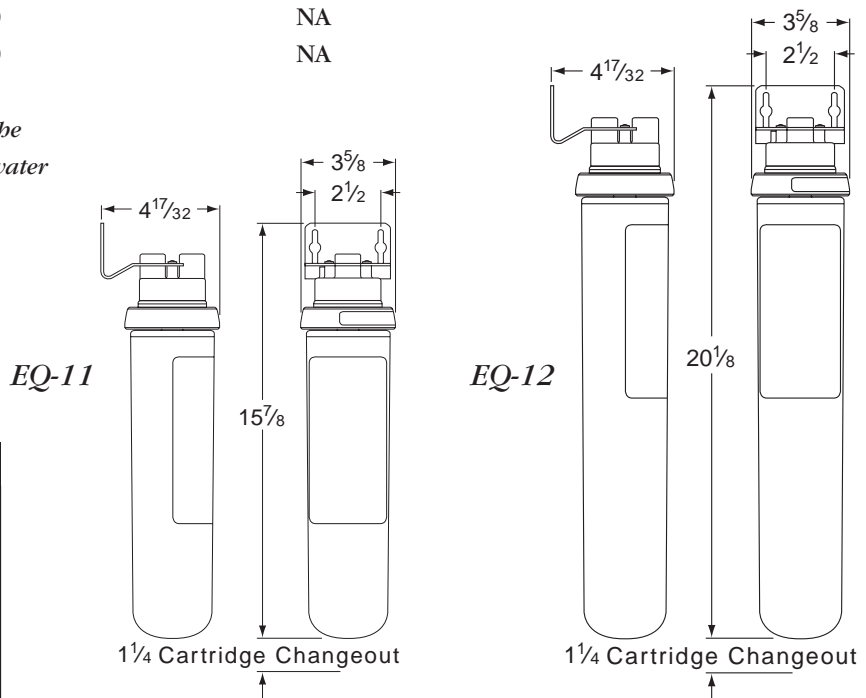
Model	Product #	Flow Rate & Capacity	Chlorine	Taste	Scale	Sediment	Softener
Multipurpose Systems							
EQ-11-TL	30344.1001	1.5 gpm/4,800 gals.	•	•	•	•	
EQ-12-TL	30345.1001	1.67 gpm/12,600 gals.	•	•	•	•	
10" Cartridges							
EQ-TL-1	(1) 30331.1001	1.5 gpm/4,800 gals.	•	•	•	•	
Case	(12) 30331.0001						
EQ-T-1	(1) 30331.1002	1.5 gpm/4,800 gals.	•	•		•	
Case	(12) 30331.0002						
EQ-L-1	(1) 30331.1003	.75 gpm/NA			•	•	
Case	(12) 30331.0003						
EQ-H-1	(1) 30331.1004	.5 gpm/900 grains [†]			•	•	•
Case	(12) 30331.0004						
14" Cartridges							
EQ-TL-2	(1) 30332.1001	1.67 gpm/12,600 gals.	•	•	•	•	
Case	(4) 30332.0001						
EQ-T-2	(1) 30332.1002	1.67 gpm/12,600 gals.	•	•		•	
Case	(4) 30332.0002						
EQ-H-2	(1) 30332.1004	.5 gpm/1350 grains [†]			•	•	•
Case	(4) 30332.0004						

Manifolds

EQ-10	(1) 30321.1000	NA
EQ-21	(1) 30369.1000	NA
EQ-22	(1) 30325.1000	NA
EQ-32	(1) 30329.1000	NA

[†] To figure gallon capacity for an EQ-H-1 & 2 use the following formula: Grain capacity of cartridge ÷ water hardness (in grains) = gallons treated.

Note: EQ models includes inlet and outlet valves with 3/8" female pipe threading plus mounting bracket.



Applications For EQ Systems

TL	Sediment, Taste/Odor & Lime Scale
T	Taste & Odor (Carbon)
L	Lime Scale (Scale Inhibitor)
H	Hardness Treatment (Water Softener)
S	Sediment Filtration