

## Features

### 10 Cup Automatic or Pourover Coffee Brewer

- Brews 2.7 gallons of perfect coffee per hour.
- Both automatic and pourover models for superb coffee.
- Attractive, space-saving to fit any counter.
- Separately controlled warmer.
- Highest quality workmanship and materials throughout for long dependable life.
- Automatic model is connected to water line.
- International electrical configurations available.



*Model A10  
Pourover*

Dimensions:  
14.7" H x 6.7" W x 12.9" D



*Model A10A  
Automatic*

Dimensions:  
14.7" H x 6.7" W x 12.9" D

## Related Products

For current specification sheets and other information, go to [www.bunnomatic.com](http://www.bunnomatic.com).

BUNN recommends the use of our Easy Clear® Water Quality Systems and BUNN paper filters to assure perfect taste.

**Easy Clear® EQ-17-TL**  
Product No. : 30200.1000  
Dimensions:  
12<sup>7</sup>/<sub>16</sub>" H x 2<sup>1</sup>/<sub>2</sub>" W x 3" D



**Easy Clear® ED-17-TL**  
Product No. : 30201.1001  
Dimensions: 8<sup>1</sup>/<sub>4</sub>" x 2<sup>3</sup>/<sub>16</sub>" Dia.

**Paper Filter Pack**  
Product No. : 20106.0000  
Packed per case: 1,000  
Dimensions: 4<sup>1</sup>/<sub>4</sub>" Base x 2<sup>3</sup>/<sub>4</sub>" Sidewall



**NCD black decanter**  
Product No. :  
20435.0000 (10 cups)



**Auxillary warmer**  
Product No. : 04875.0001



BUNN® practices continuous product research and improvement. We reserve the right to change specifications and product design without notice. Such revisions do not entitle the buyer to corresponding changes, improvements, additions or replacements for previously purchased equipment.

ITEM#

PROJECT

DATE

## Model

*A10  
A10A*

## BUNN®

**Corporate Offices**  
1400 Stevenson Drive  
Springfield, Illinois 62703  
**Phone**  
800-637-8606  
217-529-6601  
**Fax**  
217-529-6644  
**Technical Services**  
800-286-6070  
**Internet**  
<http://www.bunnomatic.com>

**Western Regional Office**  
16431 Carmenita Road,  
Cerritos, California 90701  
**Phone**  
562-926-0764  
**Fax**  
562-926-0858

**Canadian Office**  
280 Industrial Parkway South  
Aurora, Ontario, L4G 3T9  
**Phone**  
905-841-2866  
**Fax**  
905-841-2775

**Patents  
Apply**



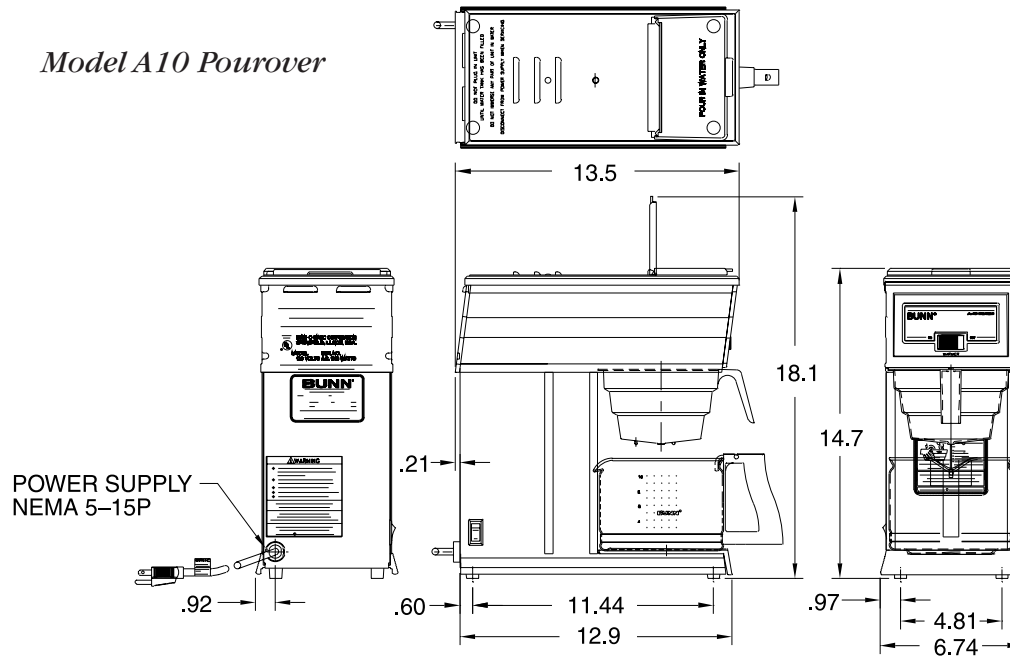
## Dimensions & Specifications

Model	Product #	Volts	Amps	Tank Heater Watts	Total Watts	Brewing Capacity	Cu. Ft.	Shipping Weight	Cord Attached
A10	21250.0000	120	9.5	1000	1140	2.7 gal./hr.	1.5	14 lbs. (6.4 kg)	Yes
A10A	21250.0004	120	9.5	1000	1140	2.7 gal./hr.	1.6	16 lbs. (7.3 kg)	Yes

Electrical: Model requires 2-wires plus ground service rated 120V, single phase, 60 Hz.

Plumbing: 20-90 psi (138-621 kPa). Supplied with 1/4" male flare fitting. (Automatic unit only)

Model A10 Pourover



Model A10 Automatic

