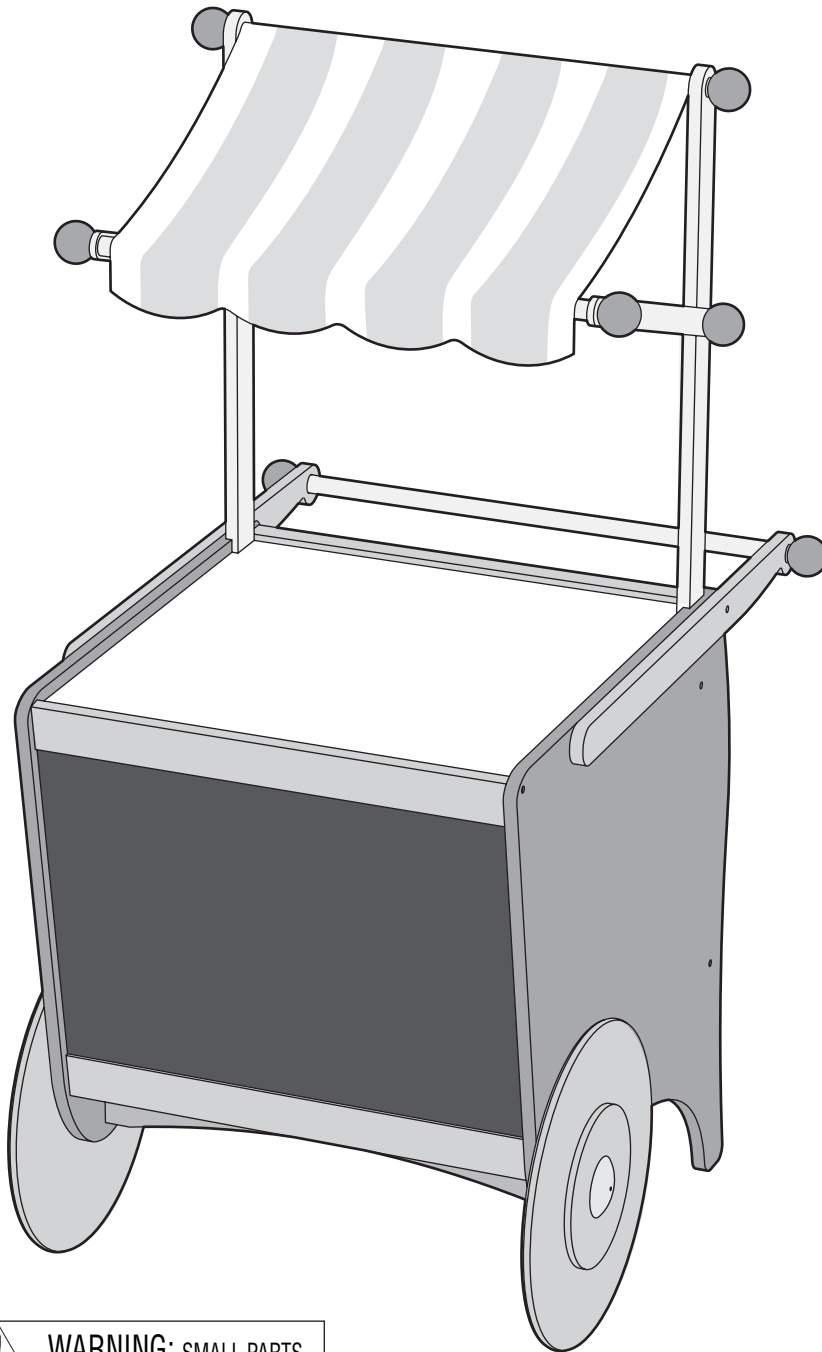
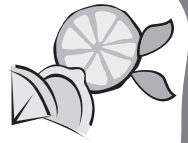


ALEX®

# Lemonade stand



### Preparing the chalkboard surface:

You will need a piece of chalk and paper towel. First, holding the piece of chalk horizontally, rub the chalk over the entire chalkboard surface. Next, take the paper towel and, using a circular motion, rub the towel over the chalkboard surface. Finally, erase the chalk off the entire surface. You have just seasoned your chalkboard and it is ready for use.

 **WARNING: SMALL PARTS**  
CHOKING HAZARD - Not for children under 3yrs.  
Adult assembly required

Caution: Keep screws, small parts and plastic bags out of children's reach during and after assembly

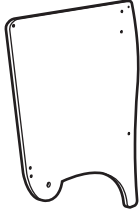



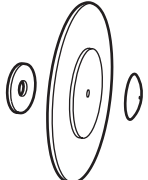


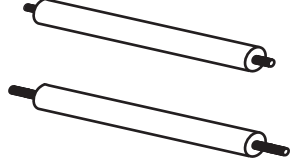
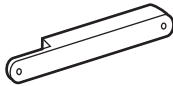

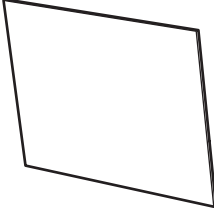
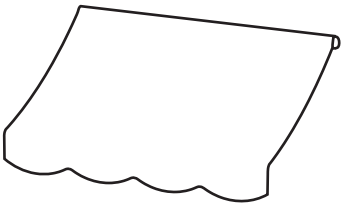

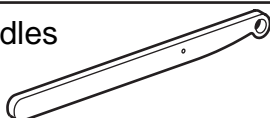
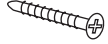





#14W

©2004 ALEX: Northvale, NJ 07647

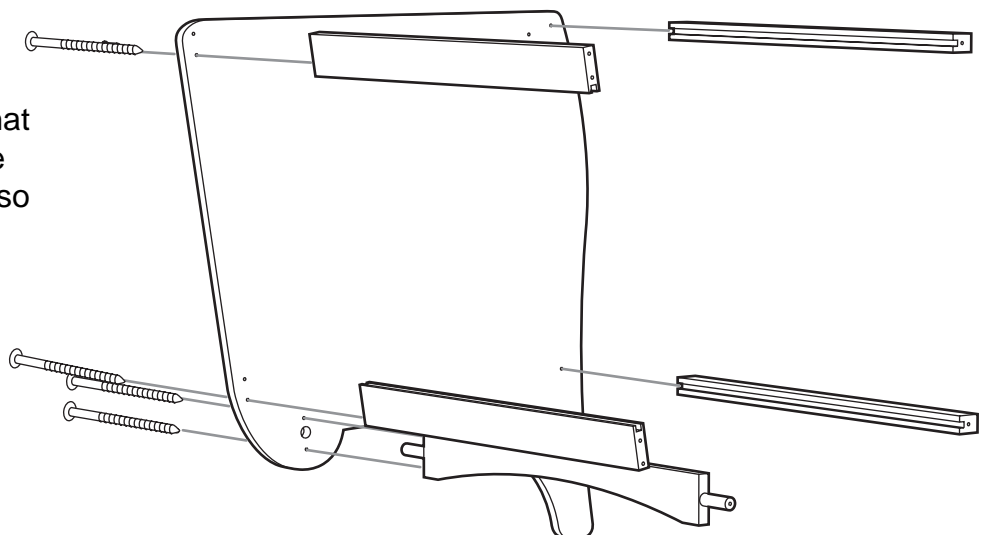
Visit our web site at [www.alextoys.com](http://www.alextoys.com)



<p>2 Side panels</p> 	<p>2 Back bars</p> 	<p>1 Top shelf</p> 	<p>1 Long dowel</p> 
<p>2 Wheel assemblies</p> 	<p>2 Front bars</p> 	<p>1 Bottom shelf</p> 	<p>2 Short dowels</p> 
<p>2 Awning braces</p> 	<p>1 Wheel support</p> 	<p>1 Chalkboard</p> 	<p>1 Awning</p> 
	<p>2 Vertical awning supports</p> 	<p>2 Handles</p> 	<p>Hardware</p> <p>8 Short screws</p>  <p>14 Long screws</p> 
		<p>6 Wooden Balls</p> 	
		<p>2 Threaded wooden Balls</p> 	

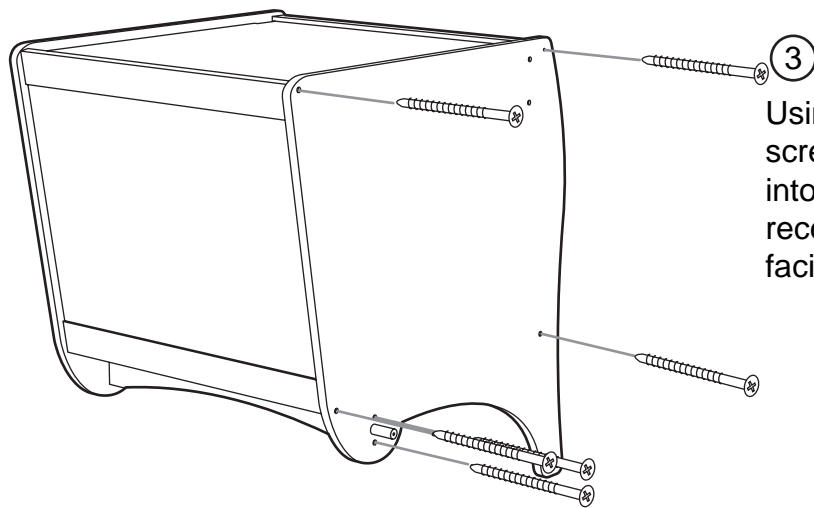
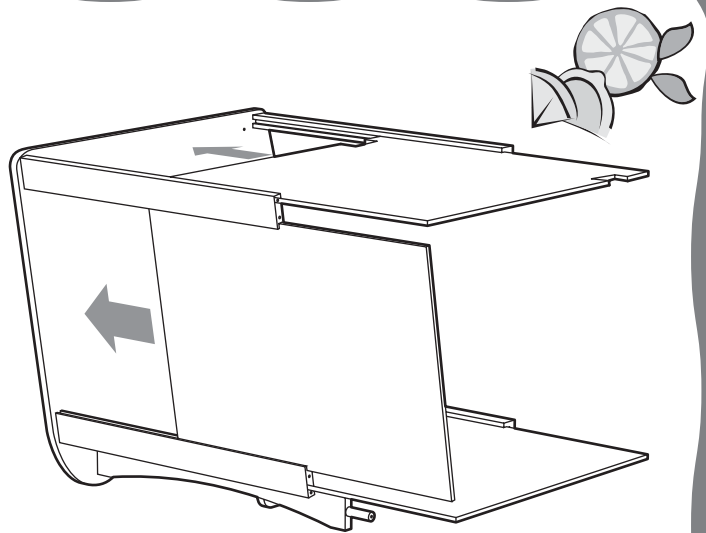
①

Attach the two back bars, two front bars, and wheel support to one of the side panels using six long screws and the included screwdriver. Make sure that the recessed holes on the side panel are facing out so that the screws sit flush.



②

Slide the chalkboard, top shelf, and bottom shelf into the grooves as shown.

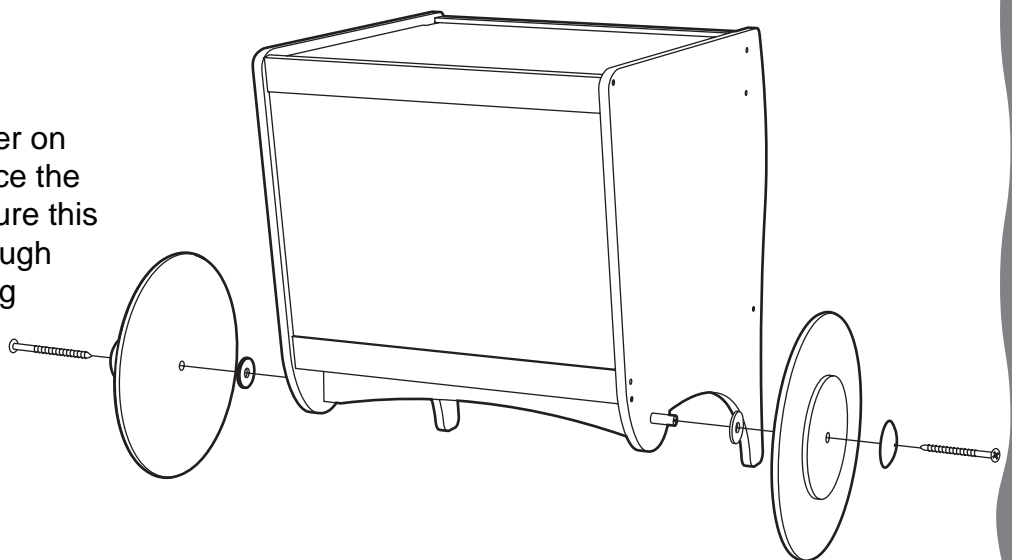


③

Using six long screws and the screwdriver. Screw the other side panel into place as shown. Make sure that the recessed holes on the side panel are facing out so that the screws sit flush.

④

Place one wooden washer on the wheel axle. Then place the wheel on the dowel. Secure this in place by screwing through wooden cap with one long screw. Repeat on the other side. Do not over tighten or the wheels will not turn.



#14W

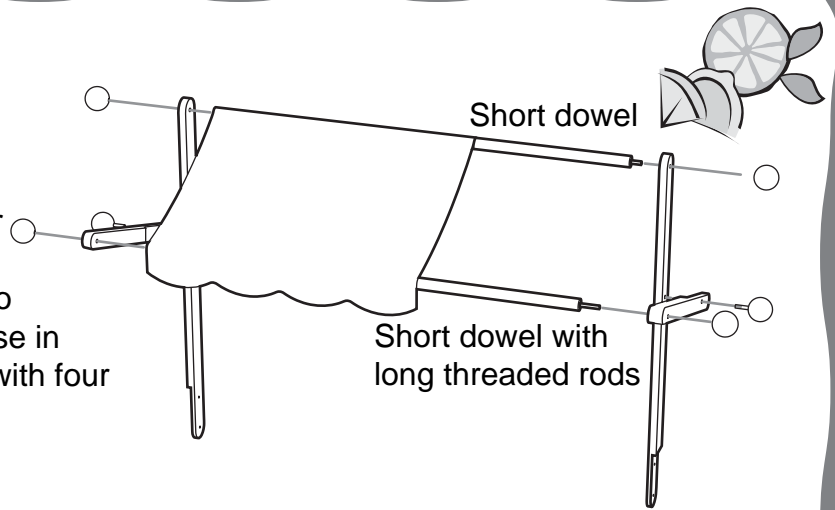
©2004 ALEX: Northvale, NJ 07647

Visit our web site at [www.alextoys.com](http://www.alextoys.com)

5

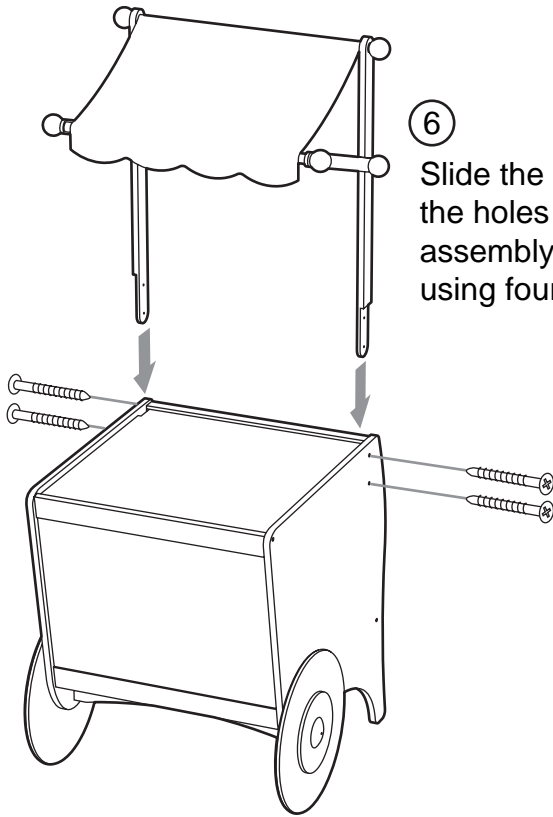
Attach the awning brace to the vertical awning support using the threaded wooden ball as shown. Repeat this process for the other side.

Thread the awning over the two short dowels, Then secure these in place on the vertical supports with four wooden balls.



6

Slide the awning assembly into the holes on the top of the lower assembly. Secure it in place using four short screws.



7

Screw the handles in place with four short screws. The two front screws should be attached from the inside. Slide the remaining dowel through the holes on the handles. Secure it in place with two wooden balls.

