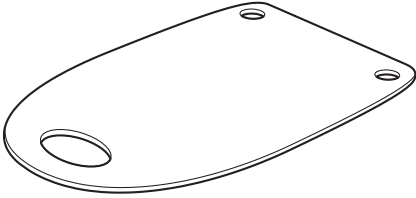
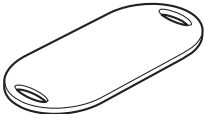


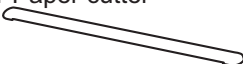





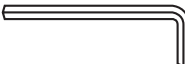






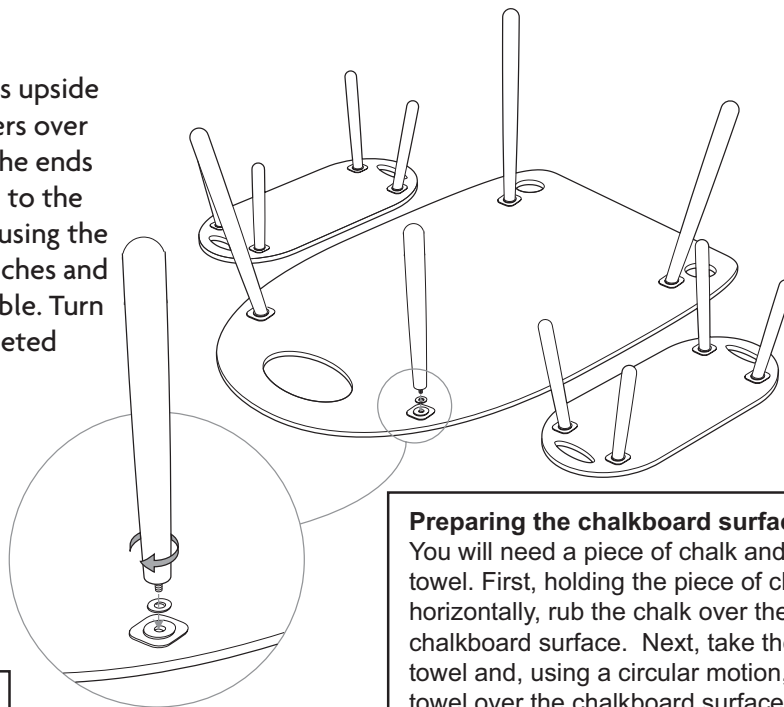


my creative center

1 Table top 		2 Bench tops 		8 Bench legs 	4 Table legs 
		1 Paper cutter 			
2 Paper roll holders 		2 Plastic Stars 		1 Dowel 	
1 Canvas bag 		2 Hex screws 		Hex Wrench 	
8 Bench washers 	4 Table washers 	2 small screws 		2 plastic cups 	

1

Turn the table and bench tops upside down. Slide the rubber washers over the threaded metal rods on the ends of the legs. Screw the legs on to the table and benches as shown, using the eight smaller legs for the benches and the four larger legs for the table. Turn over the table and the completed benches when done.



Preparing the chalkboard surface:

You will need a piece of chalk and a paper towel. First, holding the piece of chalk horizontally, rub the chalk over the entire chalkboard surface. Next, take the paper towel and, using a circular motion, rub the towel over the chalkboard surface. Finally, erase the chalk off the entire surface. You have just seasoned your chalkboard and it is ready for use.

WARNING:
CHOKING HAZARD - Small parts.
Not for children under 3yrs.
Adult Assembly Required.

Adult assembly required

Caution: Keep screws, small parts and plastic bags out of children's reach during and after assembly

#710W

©2006 ALEX: Northvale, NJ 07647

www.alextoys.com

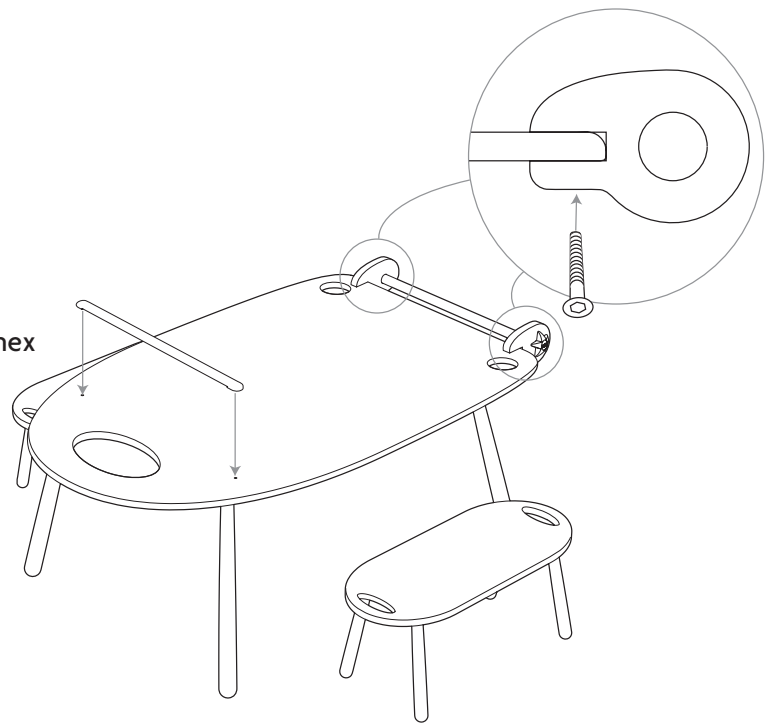


2

Using the two hex screws and the included hex wrench, screw the paper roll holders in place on the table.

Use the two small screws to screw the paper cutter into place.

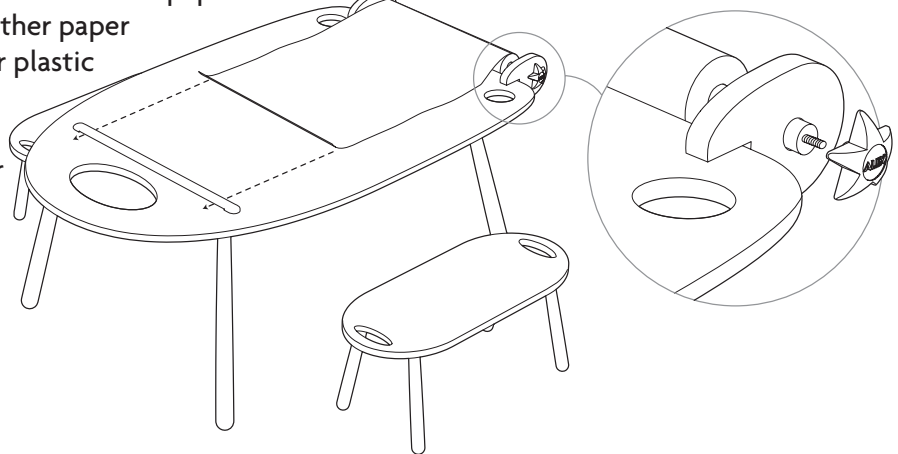
DO NOT OVER TIGHTEN!



3

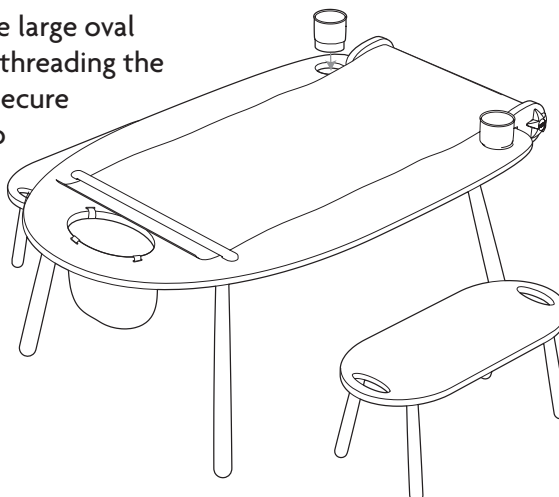
Screw one plastic star onto the dowel. Slide the dowel through the paper roll holder and a 12" - 18" paper roll. Insert the dowel through the other paper roll holder and screw the other plastic star to the end.

Pull the loose end of the paper roll across the desk and thread it under the paper cutter bar.



4

Attach the canvas bag to the large oval next to the paper cutter by threading the straps through the slots to secure them in place. Place the two cups in the other holes and you're ready to go!



#710W

©2006 ALEX: Northvale, NJ 07647

www.alextoys.com