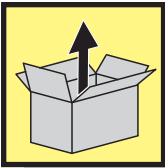


One Turn Carousel Assembly Instructions



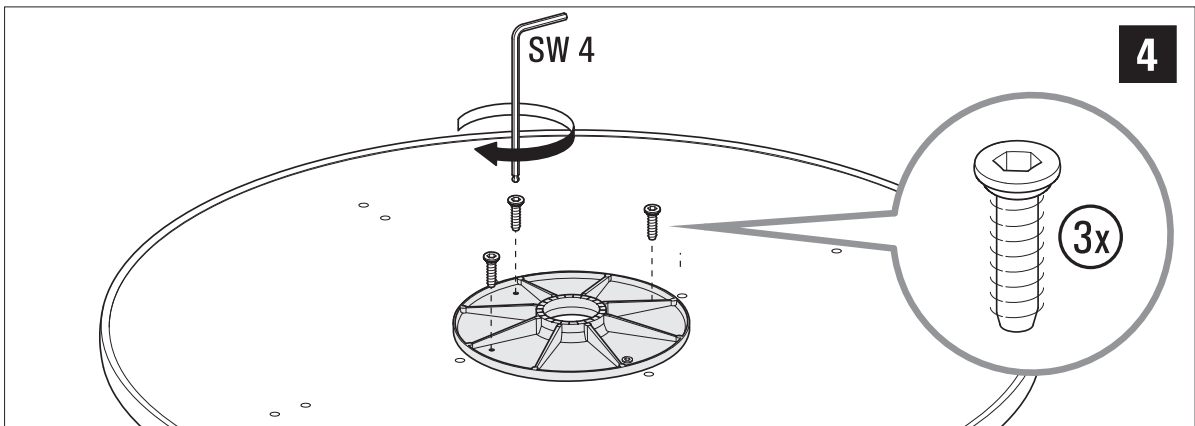
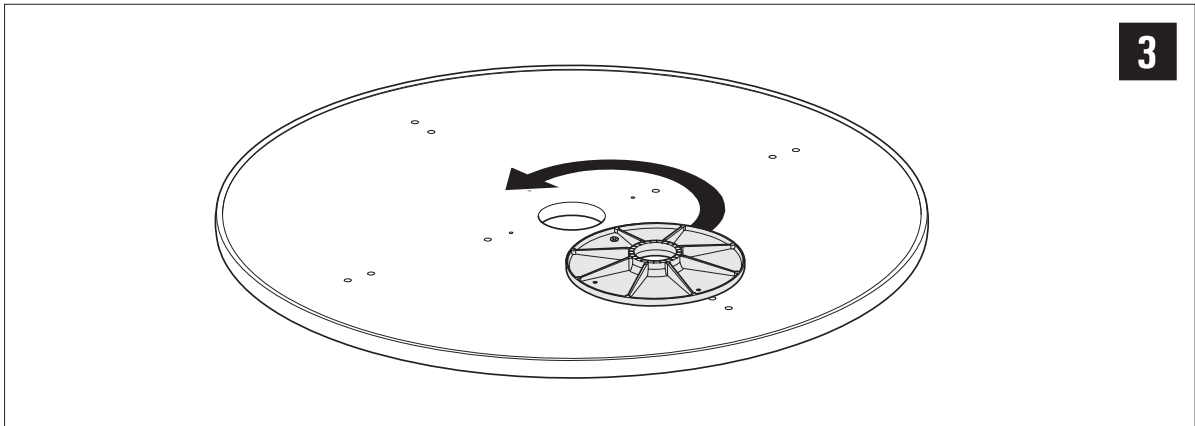
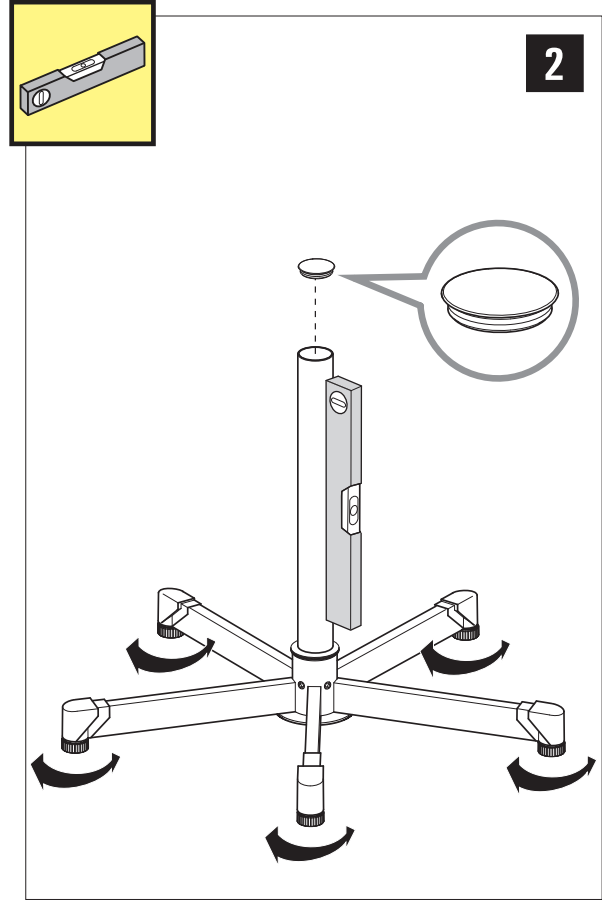
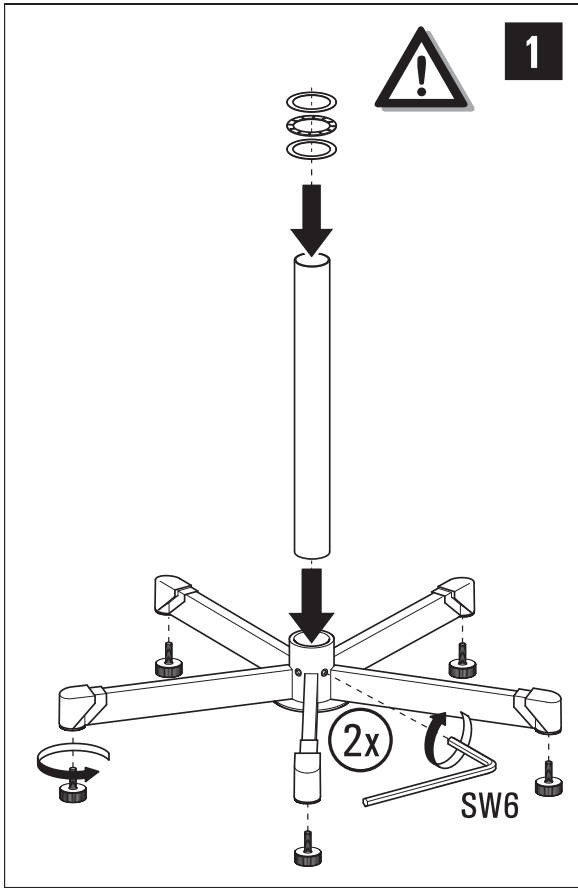


Unpack the contents and ensure nothing is missing.

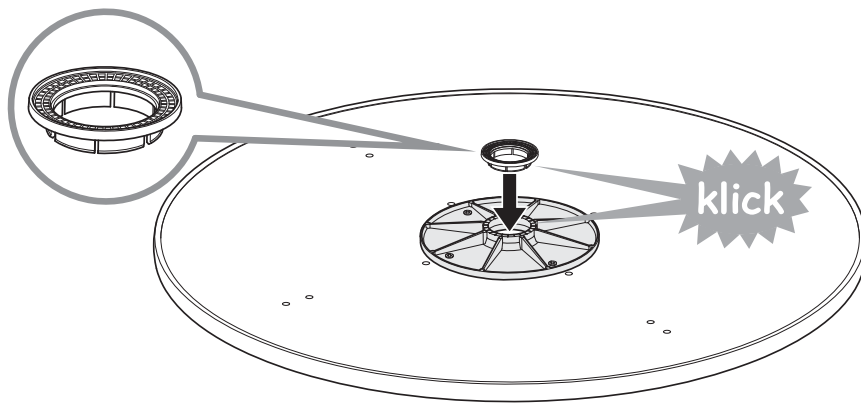
One Turn Carousel

01.2011

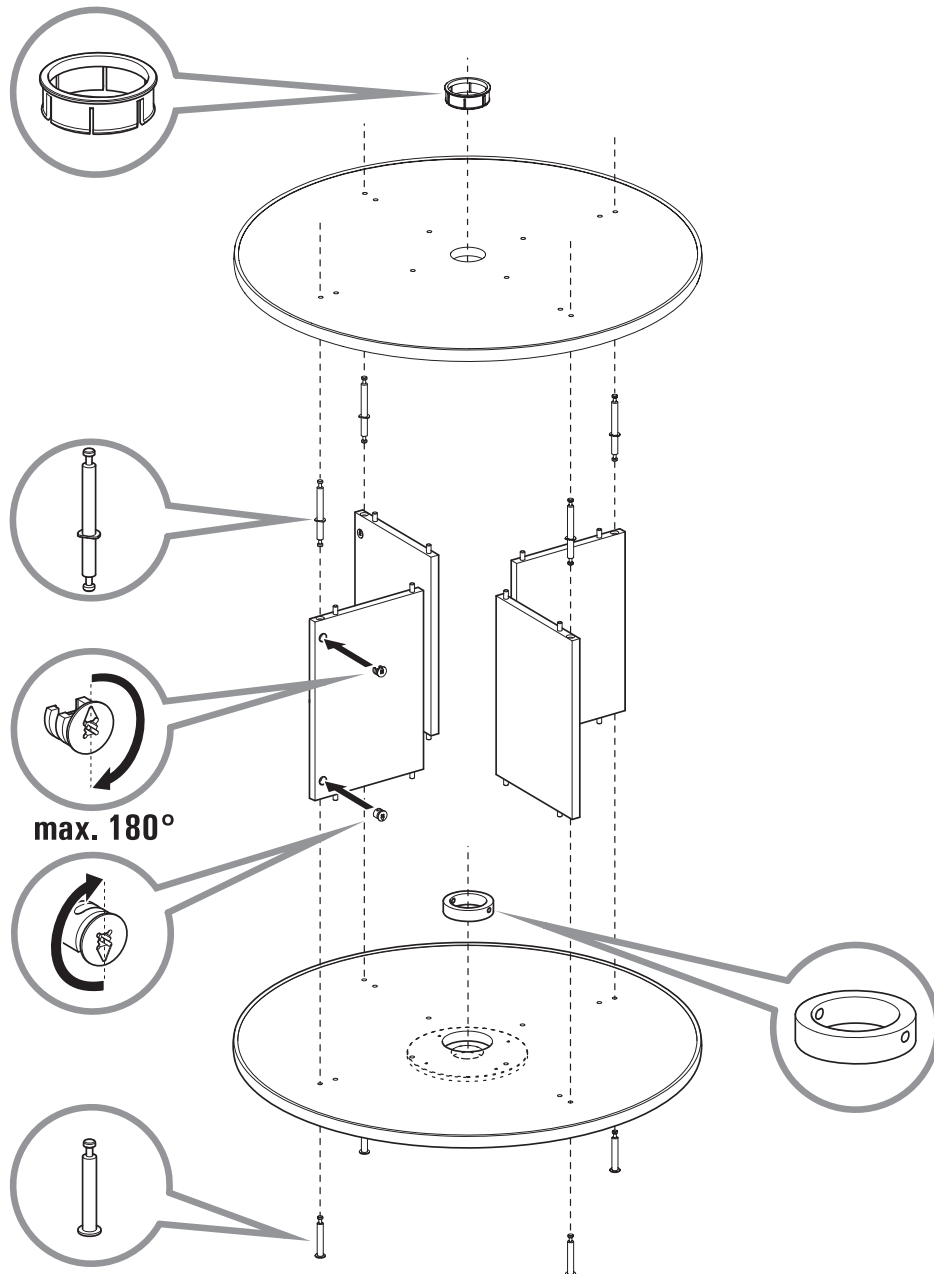
	2	3	4	5	6
8x	12x	16x	20x	24x	
2x	3x	4x	5x	6x	
1x	1x	1x	1x	1x	
2x	3x	4x	5x	6x	
1x	2x	3x	4x	5x	
8x	8x	8x	8x	8x	
4x	8x	12x	16x	20x	
16x	24x	32x	40x	48x	



5



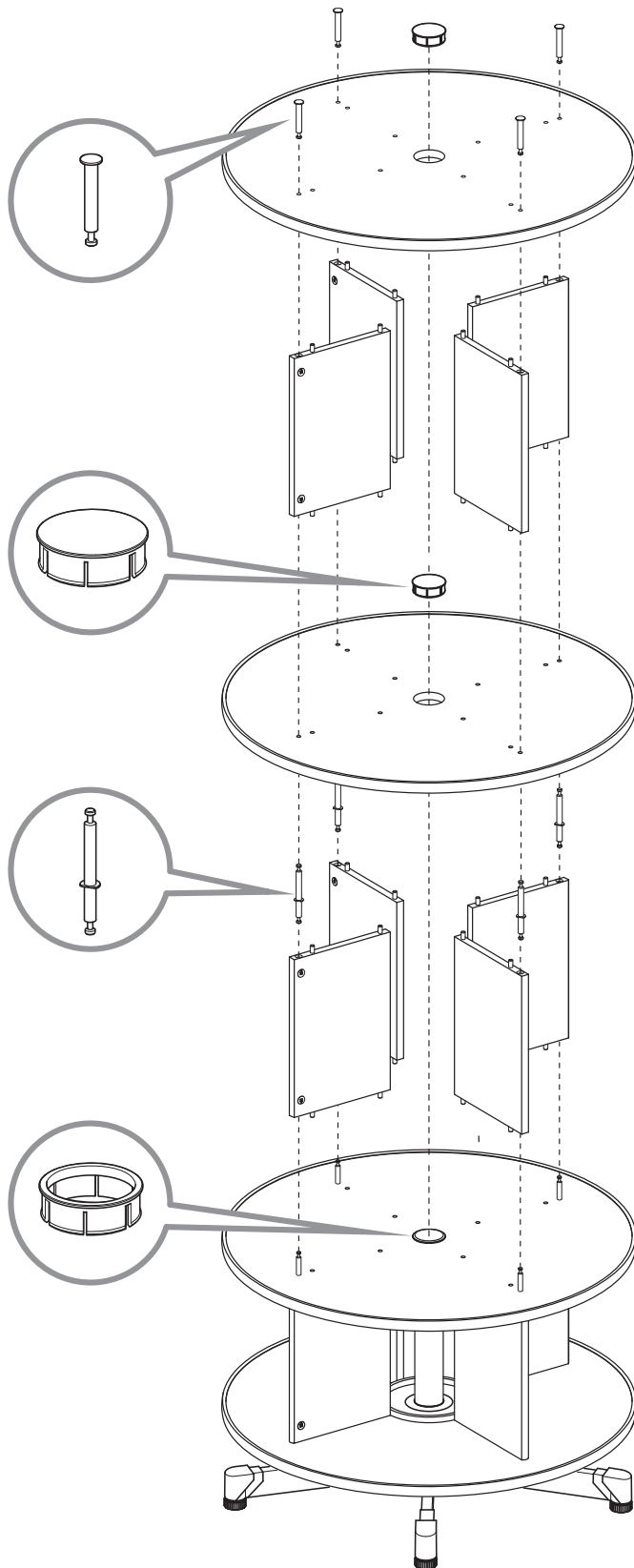
6

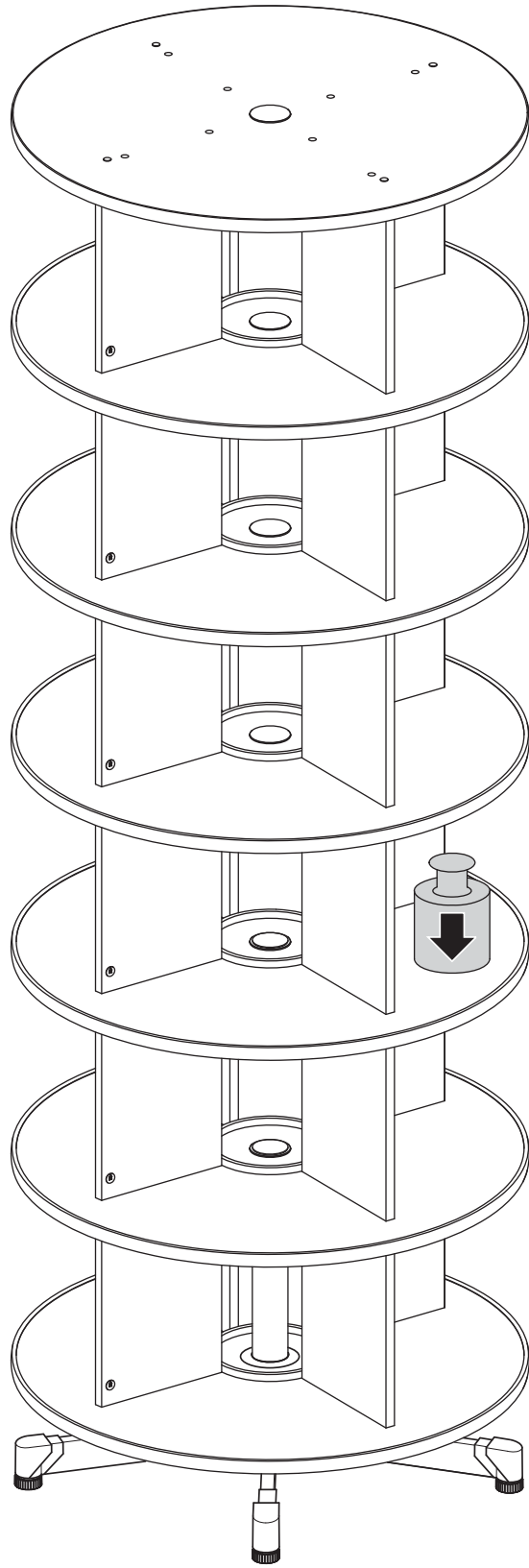




We recommend having another person assist with the assembly.

7





max. 6 Levels

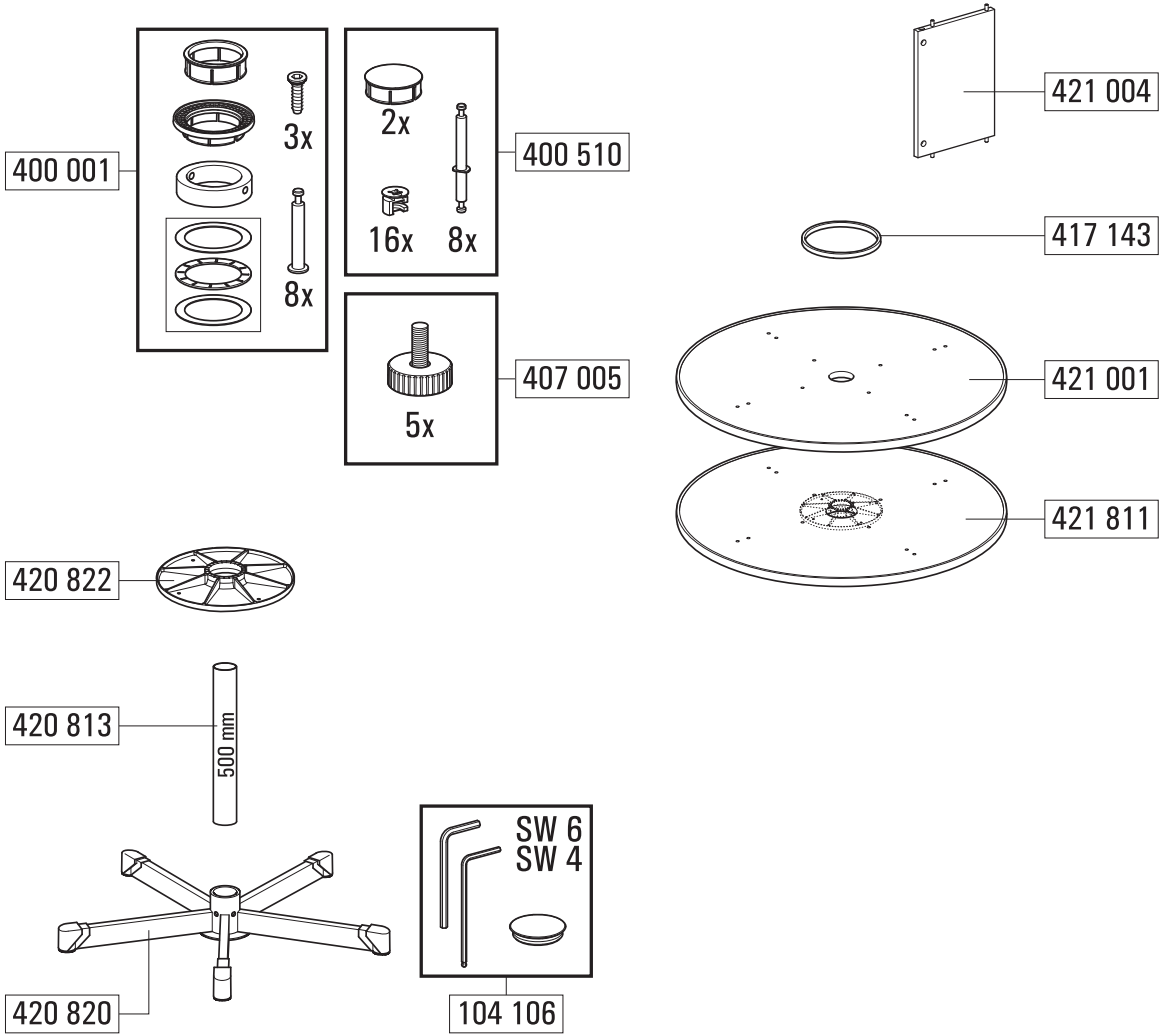
max. 85 kg / Level



Overview of Spare Parts

One Turn Carousel

01.2011



Please retain instructions for future use.