

# SUNPENTOWN

Portable Air Conditioner / Heater

## Your Guarantee

If this product is found to be faulty as a result of faulty materials or workmanship within one year from date of purchase, it will be repaired or replaced free of charge.

This guarantee is subject to the following terms:

SUNPENTOWN, must be notified of the fault.

Proof of purchase must be presented to SUNPENTOWN's nominated representative.

The warranty will be void if the product is modified, misused or repaired by an unauthorized person.

The guarantee after repair or replacement will not be extended beyond the original one year period.

All replacement parts or units will be new or reconditioned.

Parts or units, which are replaced, become the property of SUNPENTOWN.

The warranty applies to the use of this product in the United States.

Warranty does not include freight charges.

**This GUARANTEE is in addition to your Statutory Rights.**

Dear Customer: Please keep this warranty for your record. **DO NOT** return it.

# SUNPENTOWN

## Instruction Manual

For model WA-7500M

# PORTABLE Air Conditioner



It is important that you read these instructions before using your new purchase and we strongly recommend that you keep them in a safe place for future reference.

## Troubleshooting

### The unit doesn't run or only runs in fan mode

- Is the machine plugged in?
- Is the mains power supply on?
- Is the room temperature in the working range?

### The unit seems to do little

- Is there direct sunshine? (Please close the curtains or blinds)
- Are too many windows or doors open?
- Are there too many people in the room?
- Is there something in the room producing lots of heat?

### The unit seems to do nothing

- Is the dust filter dirty?
- Is the air intake or outlet blocked up?
- Is the room temperature below the selected temperature?

### The room is not cold enough

- The room being cooled should have proper insulation. If the unit is used in UN-INSULATED rooms such as Sunrooms, Garages, or Attics, ideal cooling might not be attained.

### Too noisy

- Is the machine positioned unevenly so as to create vibration?
- Is the floor underneath the machine uneven?

### The compressor doesn't run

- The overheat protection feature on the compressor might be on. If this occurs, wait for the temperature of the unit to drop.
- Is the water container full? Does it need draining?

**NEVER TRY TO REPAIR OR DISMANTLE THE UNIT YOURSELF**

#### REPLACEMENT FILTERS:

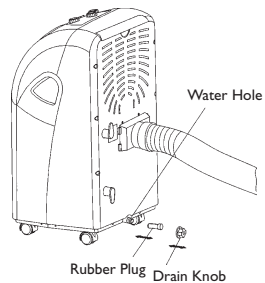
To purchase Replacement Filters for this unit, contact **SUNPENTOWN** at **1-800-330-0388** and request model number **WA-7500F**.

## Table of Contents

|   |    |
|---|----|
| THANK YOU .....                                   | 2  |
| <i>Energy Saving Tips</i> .....                   | 2  |
| SPECIFICATIONS .....                              | 3  |
| BEFORE USE .....                                  | 4  |
| PARTS .....                                       | 5  |
| <i>Accessories</i> .....                          | 5  |
| INSTALLATION .....                                | 6  |
| <i>Mounting the Unit</i> .....                    | 6  |
| <i>Mounting the Exhaust Pipe</i> .....            | 7  |
| INSTALLATION OF CARBON FILTER .....               | 7  |
| OPERATION - MECHANICAL CONTROL MODELS .....       | 8  |
| <i>Turning On/Off</i> .....                       | 8  |
| <i>Setting Function / Ventilation Speed</i> ..... | 8  |
| <i>Setting the Temperature</i> .....              | 9  |
| <i>Setting the Timer</i> .....                    | 9  |
| <i>Regulating the Airflow Direction</i> .....     | 9  |
| DRAINAGE .....                                    | 10 |
| <i>By Draining into a Container</i> .....         | 10 |
| <i>By Water Tube (continuous drainage)</i> .....  | 10 |
| MAINTENANCE .....                                 | 11 |
| <i>Cleaning the Housing</i> .....                 | 11 |
| <i>Cleaning the Filter</i> .....                  | 11 |
| <i>End of Season Storage</i> .....                | 11 |
| <i>Storing the Power Cord</i> .....               | 11 |
| TROUBLESHOOTING .....                             | 12 |
| DEFECTIVE NOTICE .....                            | 13 |
| YOUR GUARANTEE .....                              | 14 |

## Drainage

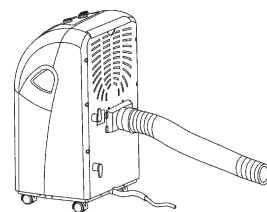
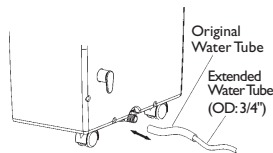
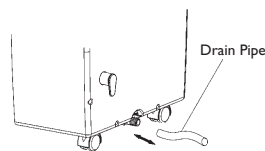
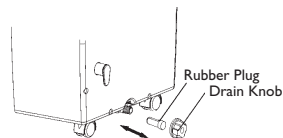
During the process of cooling, some water will be extracted from the air into the unit. Most of this water is used to cool the unit and make it run more efficiently. This is a feature not found in most Portable Air Conditioners. If the unit is operated in VERY HUMID air, water will collect in the container inside the unit. If the water container is full, the compressor will stop, but the fan will continue to circulate the air. The POWER indicator will blink to inform you to empty the internal container. To make the cooling function work again, please empty the water by one of the following methods:



### By the Draining into a Container

Use a Shallow Container or Dish

1. Turn off the unit.
2. Position a flat container or dish under the drain hole. Do not allow the water to drip continuously into the container, as it might easily overflow.
3. Remove the drain knob & rubber plug from the drain hole. The condensed water will drain out automatically.
4. When the container is almost full, replace the rubber plug into the drain hole to stop the water. Empty the container.
5. Repeat steps 2, 3 & 4 until all the condensed water is emptied.
6. Once all the condensed water has been removed, replace the rubber plug into the drain hole firmly. The Full Water indicator should be off now.
7. Replace the drain knob.



### By Water Tube (Continuous Drainage)

1. Remove the drain knob and rubber plug and keep them for future use.
2. Connect a suitable water tube (of 3/4" internal diameter - supplied) to the water hole. The condensed water will drain out automatically.
3. If you want to extend the water tube you can connect it with another tube (outside diameter 3/4").

## Specifications

|                           |                       |
|---------------------------|-----------------------|
| <b>Model Number</b>       | <b>WA-7500M</b>       |
| Cooling Capacity          | 7,500 BTU/hr          |
| Power Consumption         | 620W/6A               |
| Humidity Removal Capacity | 46 Pts./day           |
| Recommended Room Size*    | 200 sq. ft.           |
| Power Supply              | 120V / 60Hz / 1 Phase |
| Compressor                | Rotary                |
| Refrigerant               | R-22                  |
| Fan Speed                 | 2                     |
| Timer                     | WA-7500M: 1 - 8 hours |
| Thermostat                | 64°F - 90°F           |
| Net Weight                | 66 lbs.               |
| Dimensions                | 16"W x 16"D x 30"H    |
| Working Temperature       | Cooling 64°F to 110°F |

### REMARKS:

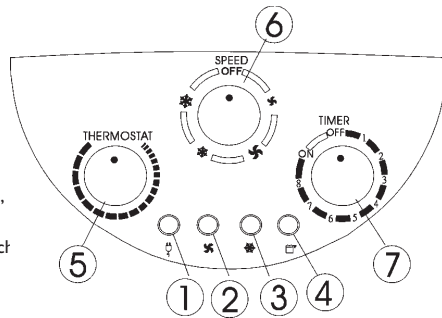
1. The data may vary, please refer to the rating label on the back of the unit.
2. The above conditions are measured at:  
Cooling - Indoor: RT 81°F, RH 60%

\* Uninsulated rooms such as sunrooms, garages, or attics should be less than 200 sq. ft.

## Operation - Mechanical Models

### WA-7500M

1. Power indicator
2. Fan operating indicator
3. Cooling operating indicator
4. Full water indicator
5. Thermostat
6. Speed switch with options for - LOW FAN, HIGH FAN, LOW COOL, HIGH COOL
7. Timer (1-8 hours) as well as ON/OFF switch



### Turning ON/OFF

Set **TIMER** to **ON** for continuous operation (the unit will operate as long as it is not turned off).

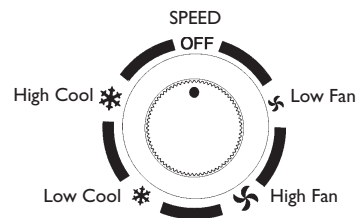
Power indicator comes on.

To turn off the unit, turn the **TIMER** to the **OFF** position

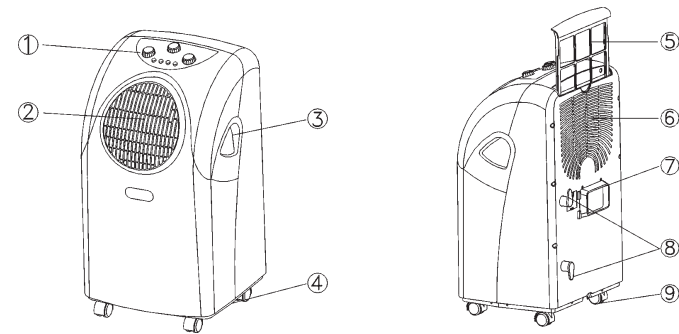
### Setting Function / Ventilation Speed

#### WA-7500M

Turn the speed switch to select the required setting: **LOW FAN**, **HIGH FAN**, **LOW COOL**, **HIGH COOL** **SPEED OFF**



## Parts

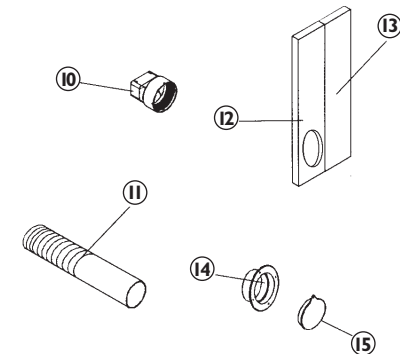


1. Control Panel
2. Cooling Air Outlet
3. Handle
4. Castors

5. Air Filter
6. Air Inlet
7. Exhaust Air Outlet
8. Cord Hanger
9. Water Stopper (Rubber Plug inside)

### Accessories

10. Adaptor - for insertion over the hose and into the back of the air conditioner
11. Exhaust Hose
12. Foam Strip - for filling the open window space and with a hole for connection to the exhaust hose
13. Foam Strip - for filling the open window space
14. Round Connector - to be used between hose and window kit or between hose and wall
15. Cap - for round connector

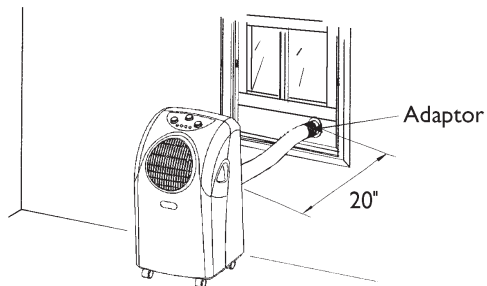


## Installation

### Mounting the unit

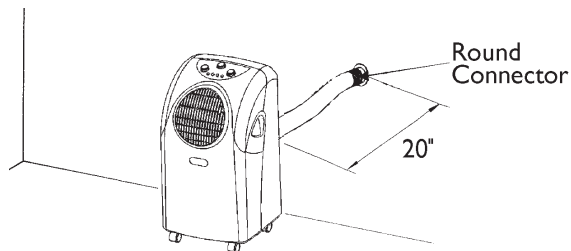
This unit is a portable air conditioner. It can be moved from room to room so that the cooling can follow you anywhere. Fitting the exhaust hose is easy, through a window or wall. Please refer to either of the following ways:

#### 1. Using the foam strips



- Connect the supplied foam strips with the exhaust pipe, let the hot air flow to the outside.
- Should the foam strip(s) be too large, cut off the extra part to fit the window.

#### 2. Using the through the Wall Connection



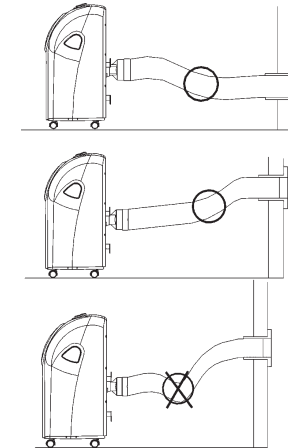
- Make a hole ( $4\frac{3}{8}$ " in diameter) in the wall to fit the supplied round connector.
- Fit the hose directly to the round connector.
- When the hole is not in use, use the cap for the round connector to cover the hole.

6

## Installation

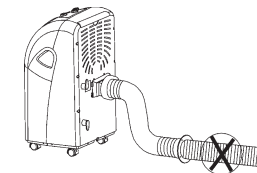
### Mounting the exhaust pipe

- The supplied exhaust hose can be extended from 1 foot to 5 feet for mounting. It is recommended that you use the shortest possible length of hose.
- Take care to prevent any kink or bend in the middle of the exhaust hose, as this will trap hot exhaust air, which will radiate back into the room.



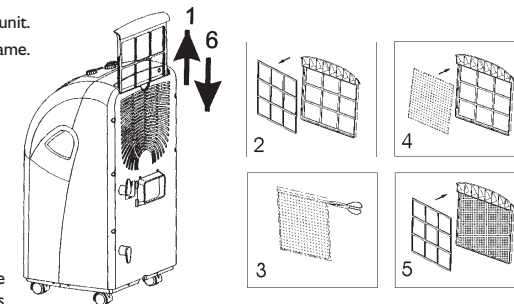
### WARNING!

The length of the exhaust pipe is specially designed according to the specification of this product. Do not replace or extend it with your own hose as this could cause the unit to malfunction.



## Installation of the Carbon Filter

1. Remove the filter frame from the unit.
2. Separate the filter from the filter frame.
3. Remove the active carbon filter from its plastic bag.
4. Insert the active carbon filter into the filter frame.
5. Fix the filter by reassembling the fixer onto the filter frame.
6. Re-fit the filter frame inside the unit.
7. It is recommended to replace the carbon filter every 3 to 6 months.



7

## Before Use

### Important!

- Transport the unit in an upright position only, or leave it in an upright position for at least 2 hours before first use.
- Always place the unit on an even surface (Figure 1).
- Make sure the unit is connected to a correctly grounded power supply (refer to the rating label located at the back of the unit).
- An opening in a window or wall is required to accommodate the exhaust hose (kit supplied) to expel the warm air.
- Do not cover or obstruct the appliance inlet or outlet grilles (Figure 2).
- To avoid the risk of shock, the product should never be used in bathrooms, shower rooms or in any other steamy or wet areas.
- The unit will cool when the room temperature is between 64°F and 110°F depending on the thermostat setting.
- Do not sit or place objects on the unit.
- Do not touch the unit with wet/damp hands or when standing barefoot.
- Avoid all contact with chemical based materials.
- The filter must be used with the product at all times. When removing for cleaning, always disconnect the unit from the mains first.
- Turn off the appliance when not in use.
- At the end of each season all water must be drained and the unit and filters cleaned before storage.
- **Drainage of the water container is required before moving the unit or putting it into storage.**
- If the electric socket is different from the plug provided, have a professionally qualified electrician replace the plug with a suitable one. Avoid the use of adaptor plugs, multiple sockets and/or extension leads; if their use is necessary, ensure that they conform to the current safety regulations.
- Do not pull the supply cable or place it near a source of heat; always unroll it completely to avoid the possibility of dangerous overheating.
- If the supply cord is damaged, it must be replaced by the service agent or a similarly qualified person.

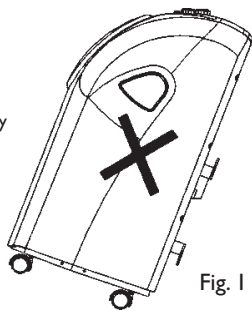


Fig. 1

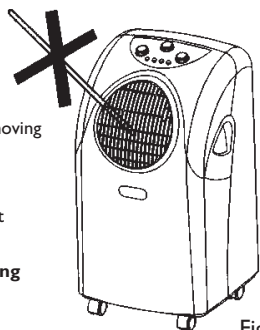


Fig. 2

THE MANUFACTURER DISCLAIMS ANY RESPONSIBILITY IF THE ABOVE INSTRUCTIONS ARE NOT FOLLOWED.

## Operation - Mechanical Models

### Setting the Temperature

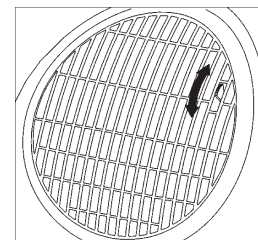
Turn the THERMOSTAT to regulate the temperature you desire: range 64°F to 90°F.

### Setting the Timer

Turn the TIMER to the desired operating time (1 to 8 hours). When the set time has elapsed, the machine will shut off automatically.

### Regulating the Airflow Direction

Turn the roller on the air vent to control the airflow direction from the vertical louvres.



### NOTICE!

- **The compressor will start approximately 3 minutes after the unit is turned on (this will help prolong the life of the compressor). After switching the unit off, please wait at least 3 minutes before turning the unit back on.**
- The cooling system will switch off if the room temperature is lower than set. The fan, however, keeps working at the set level. If the ambient temperature rises above the chosen level +5°, the cooling will resume.

## Thank You!

Thank you for choosing the portable air conditioner from SUNPENTOWN, a leading brand in indoor air treatment. We would like you to enjoy the many benefits this unit offers, so please take the time to read this manual carefully and take full advantage of the many advanced features that your SUNPENTOWN Air Conditioner offers you.

SUNPENTOWN has specialized in complete indoor environment control, manufacturing world-class air conditioners, dehumidifiers and air purifiers with innovative technology.

In designing these advanced products, we have listened carefully to our customers and have passed their views on to our research and development laboratories.

We wish you many years of enjoyable use.

After reading this manual, please keep it in a safe place for future reference.

### Energy Saving Tips

- Please use the unit in the recommended room size. (Refer to SPECIFICATIONS).
- Do not locate the air conditioner where furniture or other objects can obstruct the airflow.
- Keep blinds/curtains closed during the sunniest part of the day.
- Close the fireplace damper and floor or wall grills so that cool air does not escape through the chimney or ductwork.
- Keep the filters clean.

Set the unit to maximum cooling and high speed fan initially, then adjust the unit to a comfortable setting.

**NOTE:** It is recommended to turn on the air conditioner when the room temperature is around 75°F. Do not wait until the room is excessively hot.

## Maintenance

**Always unplug the unit from the mains before beginning the cleaning.**

### Cleaning the Housing

Use a soft, damp cloth to wipe the body clean.

Never use strong chemicals, oil-based products, detergents, chemically treated cloths or other cleaning solutions. These could possibly damage the cabinet.

### Cleaning the Filter

Use a vacuum cleaner or tap the filter lightly to remove loose dust and dirt from the filters and then rinse them thoroughly under running water (no hotter than 104°F). Dry thoroughly before replacing.

Do not wet the activated carbon filter; remove from frame before rinsing.

*Notice! Never operate the unit without the filters.*

### End of Season Storage

Unplug the unit.

Drain the condensed water COMPLETELY (please refer to page 10).

Clean or change the filter.

On a warm day, turn the unit to fan mode for a couple of hours so that the inside can dry out completely.

It is recommended that the unit be put back into its original carton for storage.

Do not stack heavy objects on top of the unit.

### Storing The Power Cord

When the unit is not in use, please store the power cord away as shown in Figure 3.

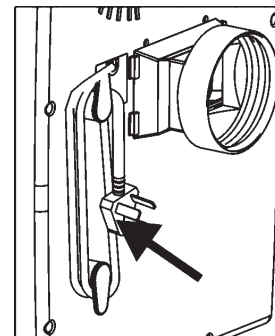


Fig. 3

## **Defective Notice**

If this product is defective or not working properly

**Please DO NOT return to your retail store**

Please contact us directly with any Service or Technical Assistance

Contact us toll free at:

**1-800-330-0388**