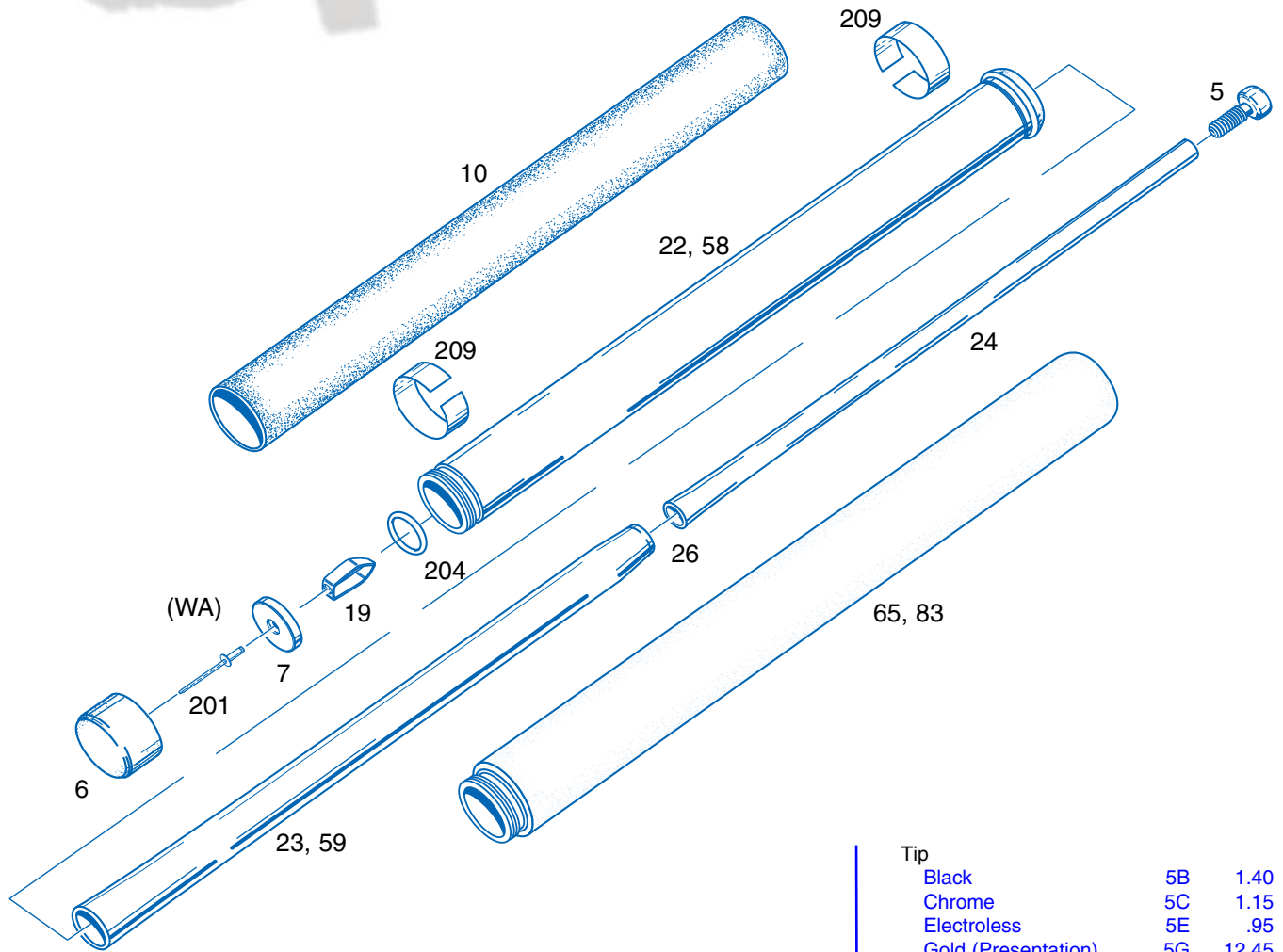


# F26 DATABASE



Handle		
Black	22	26.25
Electroless	22E	27.90
Airweight (Aluminum)	58	26.35
Federal	65	22.80
DuraTec (Aluminum)	83	22.05
Middle Tube		
Black	23B	13.00
Chrome	23C	11.85
Electroless	23E	13.30
Gold (Presentation)	23G	30.75
Airweight	59	22.75
End Tube		
Black	24B	14.50
Chrome	24C	13.35
Electroless	24E	14.75
Gold (Presentation)	24G	31.50

Tip		
Black	5B	1.40
Chrome	5C	1.15
Electroless	5E	.95
Gold (Presentation)	5G	12.45
Shaft Assembly*		
Airweight	26A	38.65
Black	26B	28.90
Chrome	26C	26.35
Electroless	26E	29.00
Gold (Presentation)	26G	74.70
Cap		
Black	6	2.30
Electroless	6E	1.95
Airweight	49	2.95
Retaining Clip Assembly** (WA)		
Washer	7	1.10
Retaining Clip	19	.25
Rivet	201	.15
Grip	10	2.00
O-Ring	204	.05
Tape	209	5.00/roll

\* Shaft Assembly consists of the Middle Tube, End Tube and Tip  
 \*\* Retaining Clip Assembly consists of the Washer, Retaining Clip and Rivet