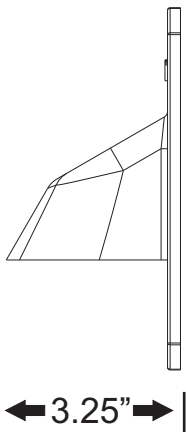
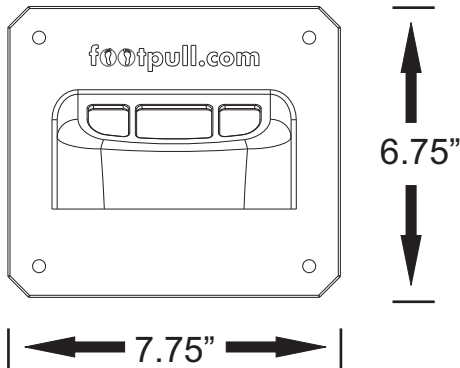


FOOTPULL One Piece Heavy Duty 356 Aluminum

MODEL fp1

Powder Coated Finish



THE FOOTPULL:

A device that goes on the bottom of public restroom doors and allows the user to open the door with their foot instead of their hands. This alternative method for opening the door prevents the person from having to touch the door handle contaminating their hands upon leaving the facility. It is easy to use, safe for all shoes and sandals, requires no electricity and is easy to install.

CONSTRUCTION:

- Permanent cast solid one piece 356 aluminum
- Powder coat finish

INSTALLATION:

- Mount to base of door 3.5" from the floor using the mounting screws for wood door. Drill holes and set anchors for hollow metal doors.

GUIDE SPECIFICATIONS:

- Footpull shall be fabricated of type 356 aluminum and powder coated for desired color. Install with footpull mounting kit as indicated.

FOOTPULL KIT:

- Kit includes;
 - 2 Footpull devices
 - Door stickers identifying the Footpull
 - Mounting instructions
 - All necessary hardware for wood or metal doors

PACKAGING INFORMATION			
DESCRIPTIONS	UNITS	ITEM'S SHELF OR DISPLAY DIMENSIONS	SHIPPING DIMENSIONS
Package Type		KIT WITH 2 FOOTPULLS	CASE
Pack	Quantity	1 kit	10 kits
Length (across)	Inches	13	26
Width (front to back)	Inches	10	26
Height (top to bottom)	Inches	5	26
Cube	Cubic ft.	0.376	10.17
Gross Weight	Pounds	3.5	36
UNIT LOAD INFORMATION			
DESCRIPTIONS	UNITS	LOAD DIMENSIONS WITHOUT WOODEN PALLET	LOAD DIMENSIONS WITH WOODEN PALLET
Length (across)	Inches	45	48
Width (front to back)	Inches	39	40
Height (top to bottom)	Inches	90	94
Cube	Cubic ft.	91.40	125.33
Units per tier		14	14
Tiers per load		18	18
Units per load		252 kits	252 kits
Gross Weight of load	Pounds	882	927
Maximum Stack Height	Pallets	2	2
These units must ship via common carrier			

Document No. I96

This information is subject to change without formal notice

footpull.com patent pending

The "hands-free" alternative for opening a restroom door