



AMERICAN SPECIALTIES, INC.

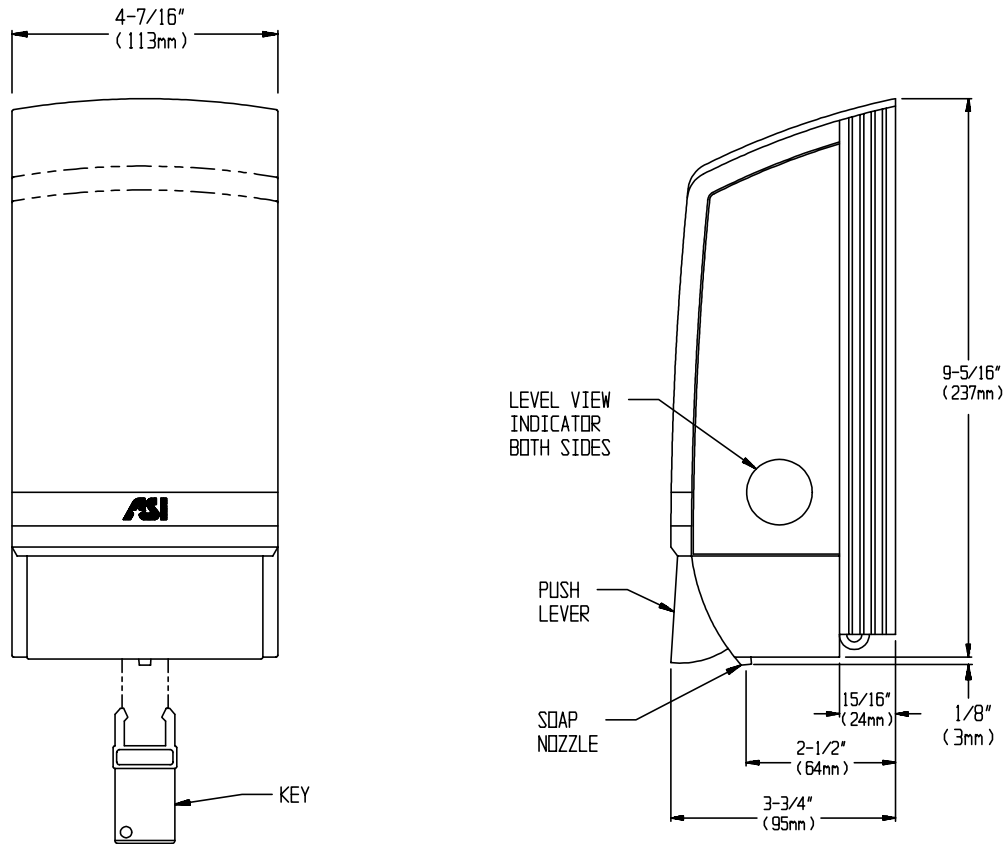
441 Saw Mill River Road, Yonkers, NY 10701 (914) 476-9000
www.americanspecialties.com

MODEL No: 2001

ISSUED: 8-05

REVISED:

LIKWIDURN REFILLABLE LIQUID SOAP DISPENSER



SPECIFICATION

Likwidurn Refillable Liquid Soap Dispenser shall hold and dispense 30 oz (900ml) liquid or lotion soaps, synthetic detergents and antibacterial soaps containing PCMX and/or Triclosan from multi-purpose piston push valve. Dispenser shall dispense approximately .07 oz (2 ml) of soap during each lever actuation. Unit housing shall be fabricated of white ABS plastic. Internal polyethylene container shall be provided with a large top lid for fast refill and shall be easily removed for cleaning. An acrylic level view indicator shall be provided on each side. Valve shall be fabricated of heavy duty acetal with nitrile O-ring seals and stainless steel return spring. Full housing shall open and tilt forward on concealed pivot hinges and shall be held closed by concealed snap latches that shall open by key (supplied) pushed into concealed release. Mounting kit including screws, plugs and adhesive pads shall be provided.

Likwidurn Refillable Liquid Soap Dispenser shall be Model N^o 2001 of American Specialties, Inc., 441 Saw Mill River Road, Yonkers, New York, 10701-4913.

INSTALLATION

Unit is surface mounted to wall or partition using adhesive pads (supplied) onto sealed smooth surface or screws (supplied) through concealed mounting holes into suitable pilot holes or wall plugs (supplied) as required. For compliance with ADA Accessibility Guidelines, unit should be installed so that dispenser lever is 54" (1372mm) maximum above finished floor (AFF) if clear floor side reach access is provided or 48" (1219mm) maximum AFF if clear floor forward reach access only is provided or 46" (1168mm) maximum AFF if side reach over an obstruction is provided (i.e. vanity) or 44" (1118mm) maximum AFF if front reach over an obstruction is only provided. For general utility install unit so that lever is 46" (1168mm) AFF or 15" (382mm) above wash basin. Use template (supplied) to locate mounting holes.

OPERATION

Push lever to dispense a uniform amount of liquid soap. Follow instructions (supplied with unit) to remove, clean and replace internal soap tank. Insert key into concealed slot at rear bottom center of unit. Push key up to release latch and pull housing forward. Key should be removed after opening. Remove and retain cover from internal container. Pour liquid soap into large opening at top of container and replace cover. Housing is locked by pushing it back until it clicks.

Accessory Specialties

AMERICAN DISPENSER

Desert Ray Products

WATROUS INC.