

INSTRUCTIONS FOR INSTALLING 8643, 8649, 8653, 8659 SURFACE MOUNTED SPRING HINGE

FRONT OF HINGE

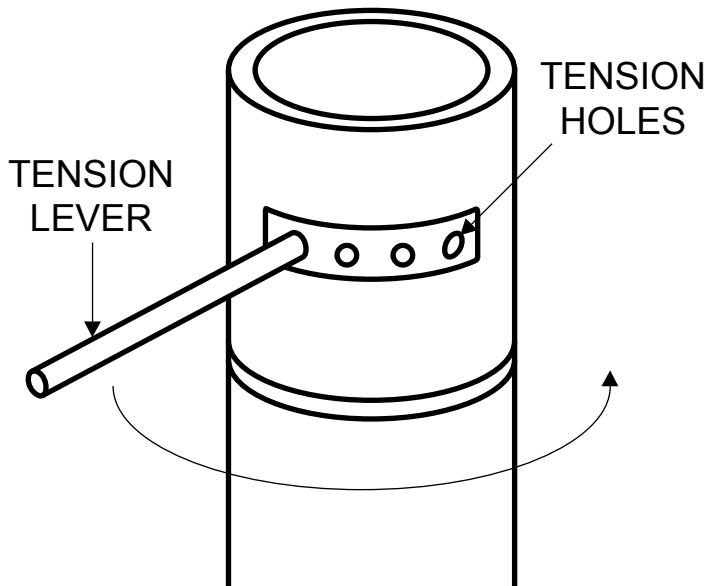


FIGURE 1

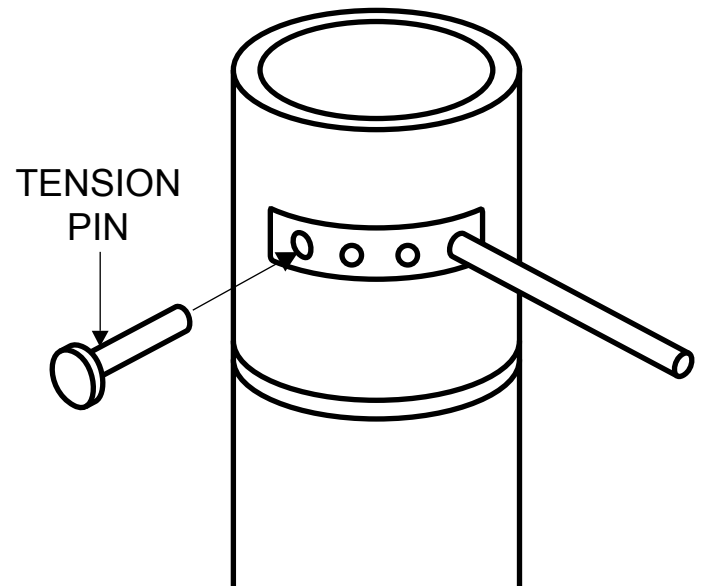


FIGURE 2

1. HINGE INSTALLATION:

Install hinges in normal manner with the tension hole cylinder at the top of the hinge.

2. CAUTION:

- A. Always rotate the tension lever to the right, regardless of right or left handed door applications.
- B. Do not exceed three (3) holes tension for 180 degree door opening, or four (4) holes tension for 90 degree opening.

3. ADJUSTING SPRING TORQUE:

- A. Insert tension lever into left hand hole in adjustment cylinder and rotate tension lever to the right as shown in figure 1.
- B. Insert tension pin to desired tension hole as shown in figure 2.
- C. Remove tension lever and try the door for closing force.
- D. If desired closing force is not achieved, change tension pin from one hole to the next.
- E. Repeat steps for other hinge.