

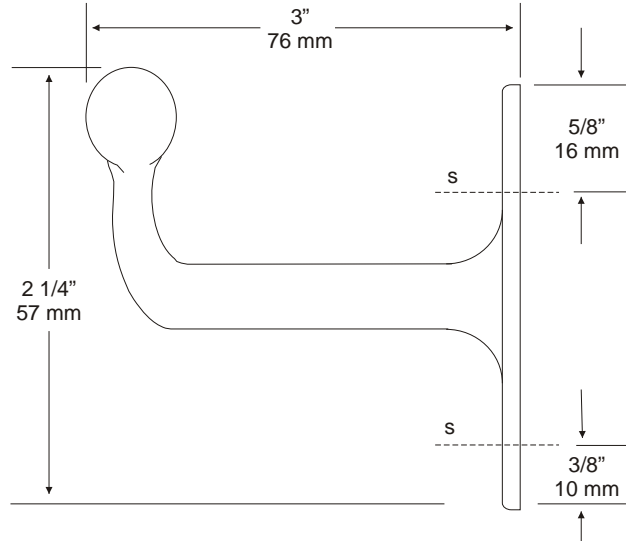
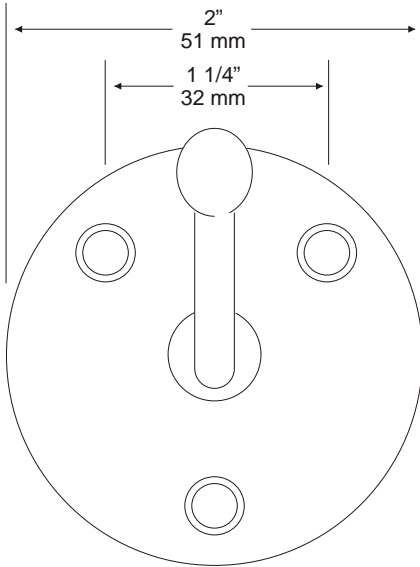
**UB15
 SINGLE HOOK
 (EXPOSED)**

JOB #:

ITEM #:

QTY:

MOUNTING HANDING TYPE SIZE OTHER



SPECIFICATIONS:

UB Accessories: Fabricated of forged brass with a nickel and copper plating of chrome coating. In compliance with all standard commercial and government standards. Exposed mounting points (3) are countersunk to provide the fasteners a flush mount with flange.

UB15: Single Hook

Overall Size: 2"W x 2 1/4"H x 3"D
 51mm x 57mm x 76mm

INSTALLATION:

Place hook on mounting surface and transfer mounting points. Drill pilot holes and secure with proper fasteners per each application.

APPLICATION:

To provide a surface mounted single hook.

