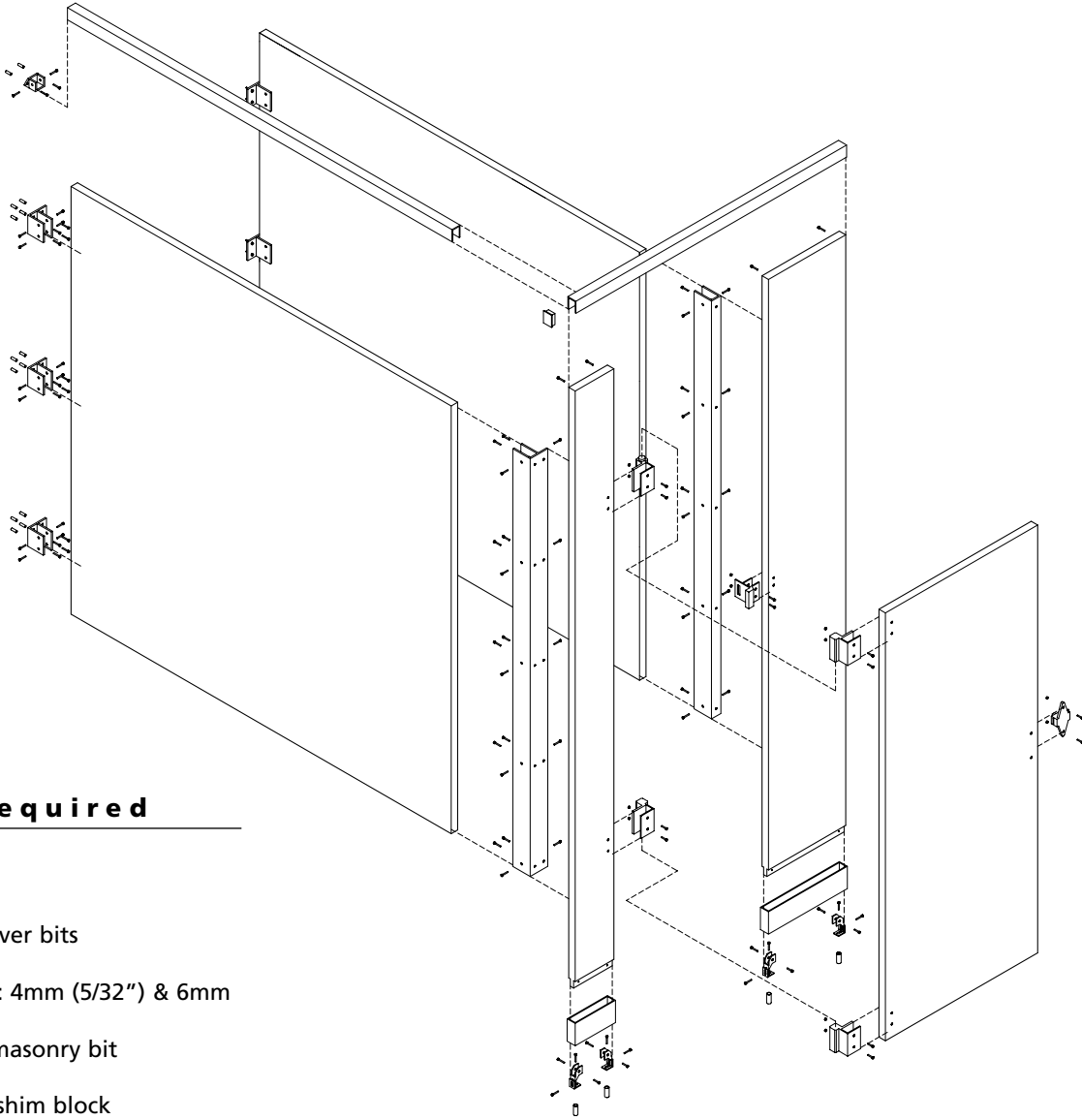


# Solid Plastic

headrail braced installation manual



## Tools Required

- 4 ft. Level
- Hammer
- Hammer drill
- Misc. screwdriver bits
- Hacksaw
- Misc. drill bits: 4mm (5/32") & 6mm (1/4")
- 8mm (5/16") masonry bit
- Chalk line
- 305mm (12") shim block
- 6-lobe security driver bits (supplied by Hadrian)

## Solid Plastic

headrail braced  
installation manual

**hadrian**  
toilet partitions and lockers

[www.hadrian-inc.com](http://www.hadrian-inc.com)



## General Notes

The following installation instructions are based on the most common unit arrangement. Other arrangements will be encountered, ie: units contained between two walls or between two free-standing panels.

For dimensional information, refer to your plan layout and dimensional details. Note in particular the relationship of the panels to the pilasters (Panels do not necessarily fall on the center line of the pilaster).

To prevent warping, plastic material must remain flat until the time of installation. Plastic material must also remain at approximately 68 degrees F for a period of 24 hours before and after installation.

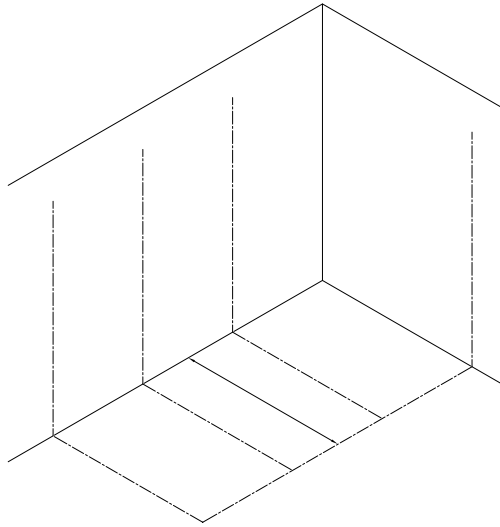
It is the distributor's responsibility to supply end-users with maintenance and warranty information.

### IN THE USA:

Hadrian Inc.,  
7420 Clover Avenue  
Mentor, OH 44060  
tel: 440-942-9118  
fax: 440-942-9618  
USA toll free fax: 1-800-536-1469

### IN CANADA & AREAS OTHER THAN USA:

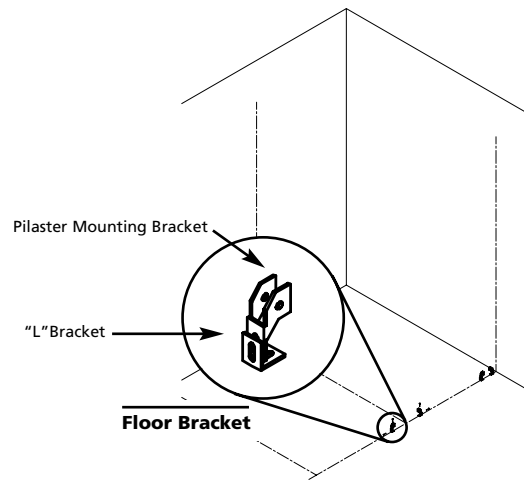
Hadrian Manufacturing Inc.,  
965 Syscon Road,  
Burlington, ON L7L 5S3  
tel: 905-333-0300  
fax: 905-333-1841  
CAN toll free fax: 1-888-817-7701



**1**  
**Establish Floor Bracket Locations**

Establish front centerline by taking the overall compartment dimension and deducting 13mm (1/2").

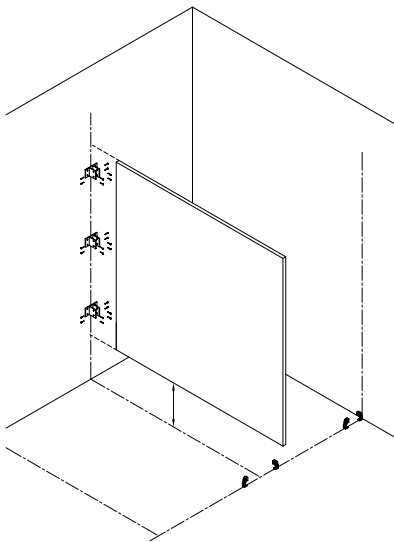
Use final layout drawings to determine locations.



**2**  
**Fasten Floor Brackets**

Drill holes for floor brackets 38mm (1.5") in from edge of pilaster locations as indicated on layout drawing.

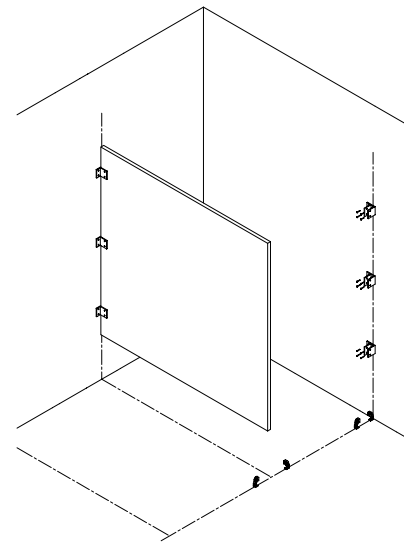
Start at high point of floor when setting "L" brackets (with the pilaster mounting bracket as low as possible) and work to the low point of the floor (raising pilaster mounting bracket as needed) and level.



**3**  
**Erect Panels**

Using your centerline locations, fasten panel to wall using 3 panel brackets. Brackets should be 508mm (20"), 1054mm (41.5") and 1600mm (63") from floor.

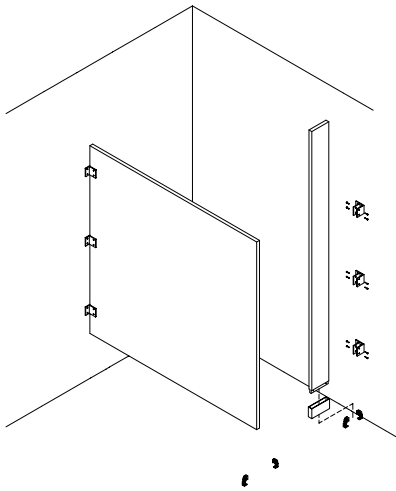
Dimension from floor to underside of panel should be approximately 356mm (14").



**4**  
**Prepare Brackets For Wall Pilaster**

Fasten 3 "F" brackets to wall at centerline.

Brackets should be 508mm (20"), 1054mm (41.5") and 1600mm (63") from floor.



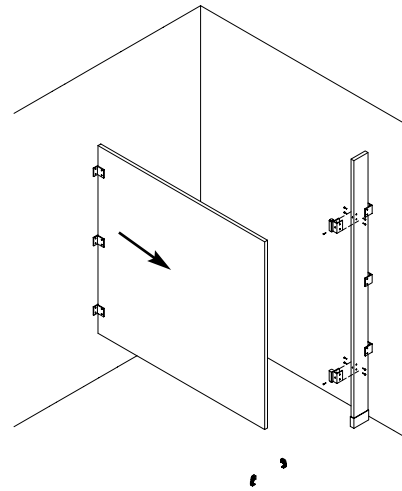
**5**

**Erect Wall Pilaster**

Slide pilaster shoe onto pilaster.

Insert pilaster into wall brackets and set onto floor brackets (Note: the notched end slides into floor brackets).

Fasten pilaster to wall brackets and floor brackets.



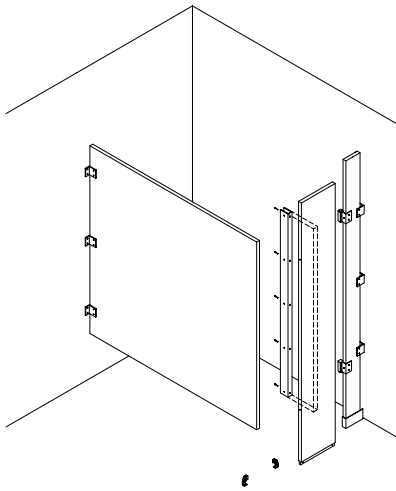
**6**

**Prepare Pilaster For Door**

Fasten upper and lower hinges to pilaster by securing screws through pilot holes (Note: The hinge knuckle should be on the inside of compartment for inswing and the outside for outswing conditions).

Using the hinge as a template, drill holes for thru-bolts.

Secure remaining fasteners on sides of hinges.



**7**

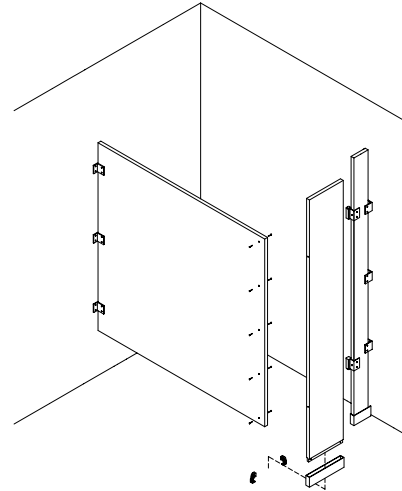
**Fasten "U" Channel to Pilaster**

Mark next pilaster with a vertical line (off-set will be indicated on layout drawing).

Mark the top height of the panel on this line. The vertical line will serve as a guide for the "U" channel.

Pre-drill pilaster to accept screws at least 5/8" deep.

Fasten "U" channel to pilaster.

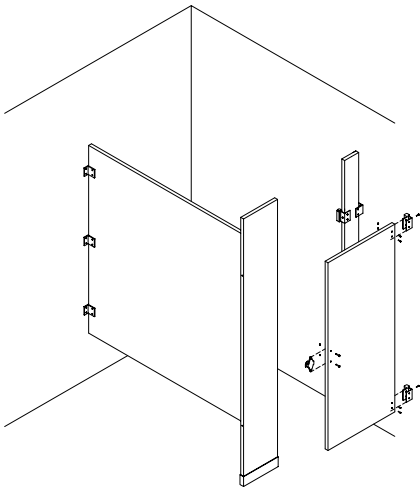


**8**

**Erect Pilaster**

Slide shoe onto pilaster.

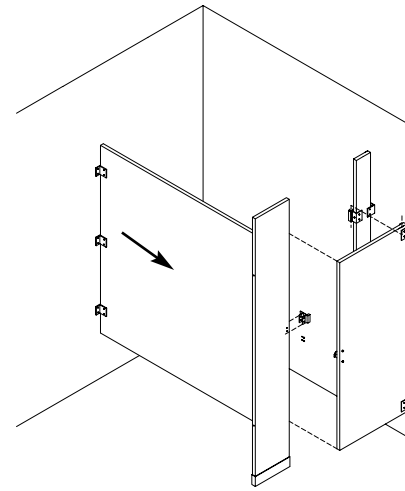
Place pilaster onto floor brackets (DO NOT fasten yet) and set "U" channel into place on panel and fasten.



## 9 Prepare Door For Hanging

Fasten upper hinge to door.

Fasten latch at midpoint of door with thru-bolts at pre-drilled location.



## 10 Hang Door

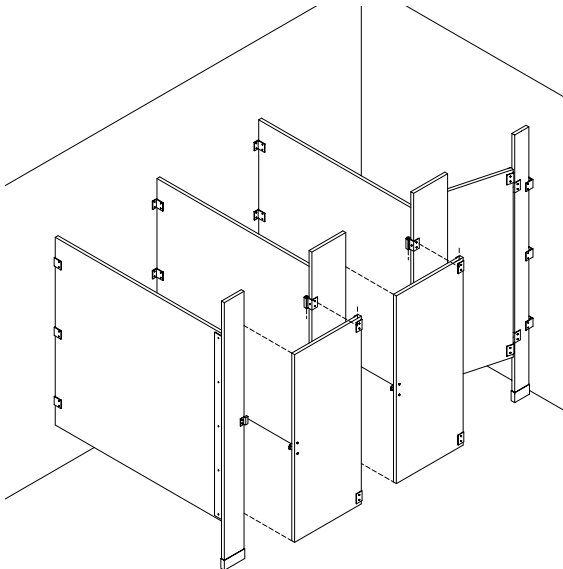
Adjust hinge cam mechanism to allow door to rest at 30 degrees open (for inswing) or closed (for outswing).

Hang door by placing upper door hinge onto hinge component already fastened to pilaster.

Slide bottom door hinge into place and fasten with thru-bolts. Next, allow space for door to operate and fasten screws in pilaster floor brackets.

Fasten Stop & Keeper on pilaster (be sure to line it up with the latch).

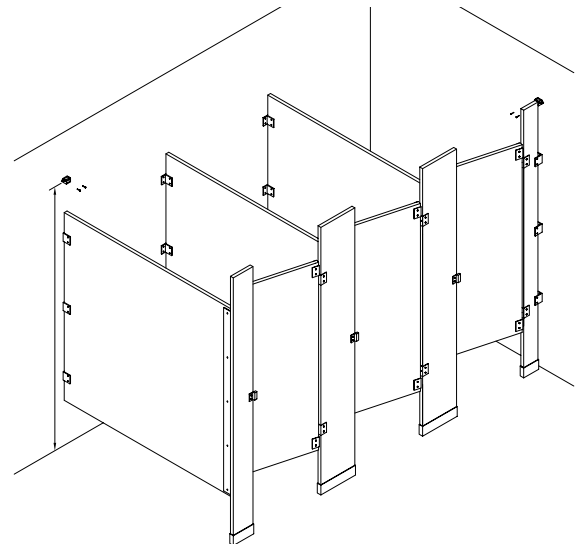
At this stage, you may want to pre-install headrail (without fastening) to assist in lining-up/spacing pilasters.



## 11 Erect Remaining Compartments

Ensure all pilasters are fastened to floor brackets and repeat steps 3 - 11 (as necessary) for all remaining compartments.

Note: Hadrian recommends installing one compartment (including door) at a time.



## 12 Secure Headrail Brackets

Fasten headrail brackets to wall approximately 2070mm (81.5") above the floor (some adjustment may be necessary due to varying floor conditions).

