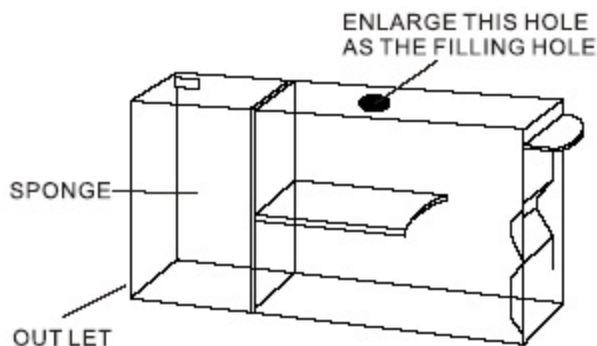


XJ4C,XJ6C,XK50,450C,470C,C6,C8,OKI2500



1. Put the cartridge on the tissue paper or other hygroscopic material in case of the excess ink.
2. Make a filling hole with screw driver at the place the figure showed. Pay special attention about the sponge inside and make sure you will not break it.
3. Assemble the syringe and needle.
4. Press the plug of the syringe slowly and carefully to fill the ink until it is full.
5. Seal the filling hole with the robber plug provided.
6. Reload the cartridge into the printer and run "head cleaning" utility 2-3 times before printing test or nozzle test.