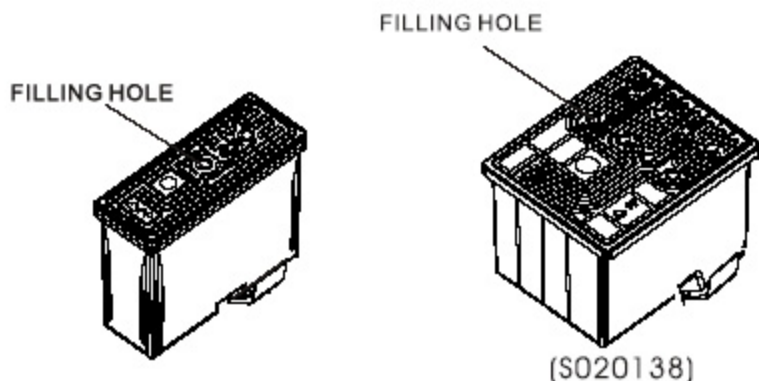


S020187,S020093,S020108,S020189,T003,T013
T026,T028,T038,T007,S020025,S020047,
S020138,S020034,T019,T017,T036,T040



1. Put the cartridge on the tissue paper or other hygroscopic material in case of the excess ink.
2. Take out the cartridge, clean the outlet and seal it with sealing tape.
3. Tear off the label of the cartridge and expose the filling holes.
4. Assemble the syringe and needle. Insert the needle through the filling hole deeply and then push out for 5-6 ml. Slowly and carefully press the plug of the syringe and fill the ink into the tank until it is full (due to the different size of cartridge chamber, the ink filled should be between 8ml to 18ml), pull out the syringe.
5. Clean the ink on the surface of the filling hole with tissue paper. Seal the filling hole with sealing tapes.
6. Put a tissue paper on the table, hold the cartridge (outlet face down) and hit it towards the tissue for 2-3 times in order to fill the outlet with ink.
7. Reload the cartridge into the printer, and run "head cleaning" utility for 2-3 times before printing or nozzle testing.

EPSON STYLUS COLOR 440/460/640/660/670; EPSON STYLUS PHOTO 720/750/1200; EPSON STYLUS COLOR 400/500/600; EPSON STYLUS PHOTO/PHOTO EX/PHOTO 700/710; IP-100/PT-100/PM-680C/PM-700C/PM-750C/PM-2000C; EPSON MJ-810C/830C/830CS; EPSON MJ-930C/6000C; EPSON STYLUS COLOR 800/800N/850/1520; EPSON STYLUS COLOR 740/760/860/1160; EPSON STYLUS SCAN 2000/2500; EPSON STYLUS COLOR 900/900N/900G/980/980N; EPSON STYLUS COLOR 480/580; EPSON MJ-400/450/500V2/1000/1000V2/1010/1050/1050V2/1100 STYLUS 400/800/800+/1000/1000+; SEIKO MJ 1000/BJ 500; EPSON MJ-500C/510C/510CS/800C; EPSON STYLUS COLOR II/II s /200; EPSON STYLUS 200/820; EPSON STYLUS COLOR 300