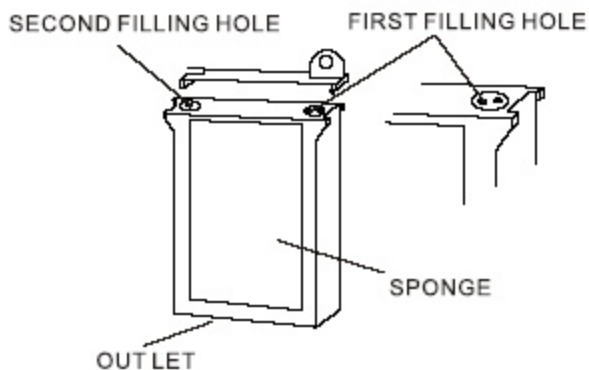


LC02BK, LC02C, LC02M, LC02Y



1. Put the cartridge on the tissue paper or other hygroscopic material in case of the excess ink.
2. Take off the plastic handle on top of the cartridge.
3. Seal the outlet with the sealing tape.
4. Puncture the silver tape with a ballpoint pen and enlarge the first filling hole beneath. Please see the figure.
5. Assemble the syringe and needle Press the plug of the syringe slowly and carefully to fill the ink. When ink overflows from filling hole or outlet hole, stop filling ink immediately.
6. Seal the first filling hole with the rubber plug.
7. Make the second filling hole follow the way of the first one as the figure showing. Fill the ink from the second filling hole until it is full and seal it with a strong sealing tape. Tear down the sealing tape on the outlet and move back the plastic handle back to its original place.
8. Reload the cartridge into the printer and run "head cleaning" utility 2-3 times before printing test or nozzle test.