



## Wiring Instructions for 3-Button Control Stations

3-button control stations provide open, close and stop operation for slide, swing and overhead gate operators that utilize DoorKing 4402, 4501, 4502, 4601 or 4602 operator control boards. The 1200-006 control station is designed for indoor or outdoor use, while the 1200-007 is designed for indoor use only.

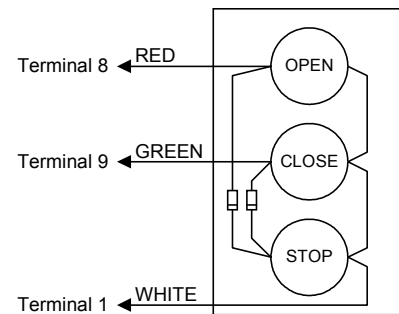
**This control station must be mounted a minimum of 10-feet away from the gate and gate operator, or installed in such a way that the user cannot touch the gate or gate operator while using this control.**

*Be sure that power to the operator is OFF before wiring the control station. Use 18 AWG wire for control station connections.*

### 4402 Control Boards

Model 1150, 9200 and 9300 Operators.

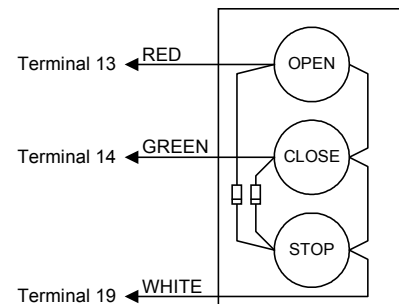
Red – Terminal 8  
Green – Terminal 9  
White – Terminal 1



### 4501, 4502 Control Boards

Model 480, 600, 601, 602, 605, 610, 615, 620, 625, 630, 805, 810, 815, 6050, 6100 and 6300 Operators.

Red – Terminal 13  
Green – Terminal 14  
White – Terminal 19



### 4601, 4602 Control Boards

Model 910, 915, 920, 1100, 9100 and 9150 Operators.

Red – Terminal 8  
Green – Terminal 9  
White – Terminal 18

